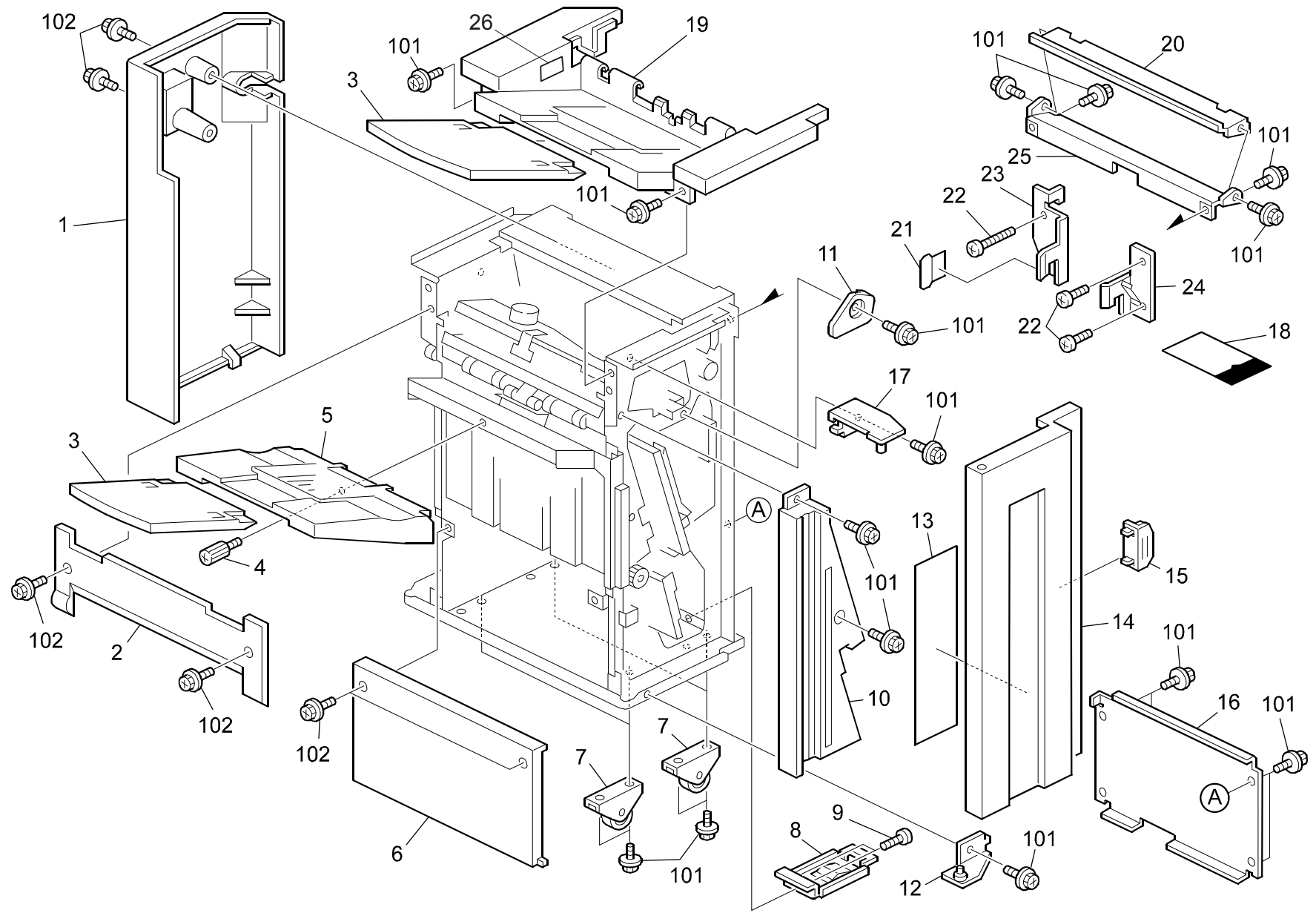


**1,000 SHEET FINISHER B408
PARTS LOCATION AND LIST**

This section instructs you as to the numbers and names of parts on this machine.



1.EXTERIOR (B408)

Rev. 10/21/2011

Index No.	Part No.	Description	Q'ty Per Assembly
1	B408 6141	Rear Cover	1
2	B408 6151	Left Upper Cover	1
3	B408 3412	Slide Tray	2
4	A628 3115	Knob Screw - M4	1
5	B408 3411	Tray	1
6	B408 6161	Left Lower Cover	1
7	B408 1314	Caster [TSB#005]	4
8	B408 1422	Bracket - Ground Plate	1
9	G020 1391	Screw - M3X4.5	2
10	B408 6131	Left Inner Cover	1
11	B408 1241	Guard - Side Plate Front	1
12	B408 6124	Hinge - Door Lower	1
13	B408 7151	Decal - Misfeed Removal	1
14	B408 6121	Front Cover	1
15	AG07 0512	Magnetic Catch [TSB#005]	1
16	B408 6171	Right Lower Cover	1
17	B408 6122	Hinge - Door Upper	1
18	B408 7171	Decal - Staple	1
19	B408 6111	Upper Cover	1
20	B408 2192	Guide Plate - Connecting Upper	1
21	B408 1418	Mylar - Rear Joint Bracket	1
22	B408 1431	Joint Bracket Screw	4
23	B408 1414	Bracket - Coupling Rear (B022/B027)	1
23	A697 1144	Bracket - Coupling Rear (B079/B082)	1
24	B408 1450	Bracket - Coupling Front	1
25	B408 2191	Guide Plate - Connecting Lower	1
26	B804 7813	Decal: Caution: Proof Tray: Paper Exit Sub-Unit [TSB#014]	1

Index No.	Part No.	Description	Q'ty Per Assembly
101	0802 5276	Tapping Screw With Washer - M3x6	
102	0451 3008H	Tapping Screw - M3x8	

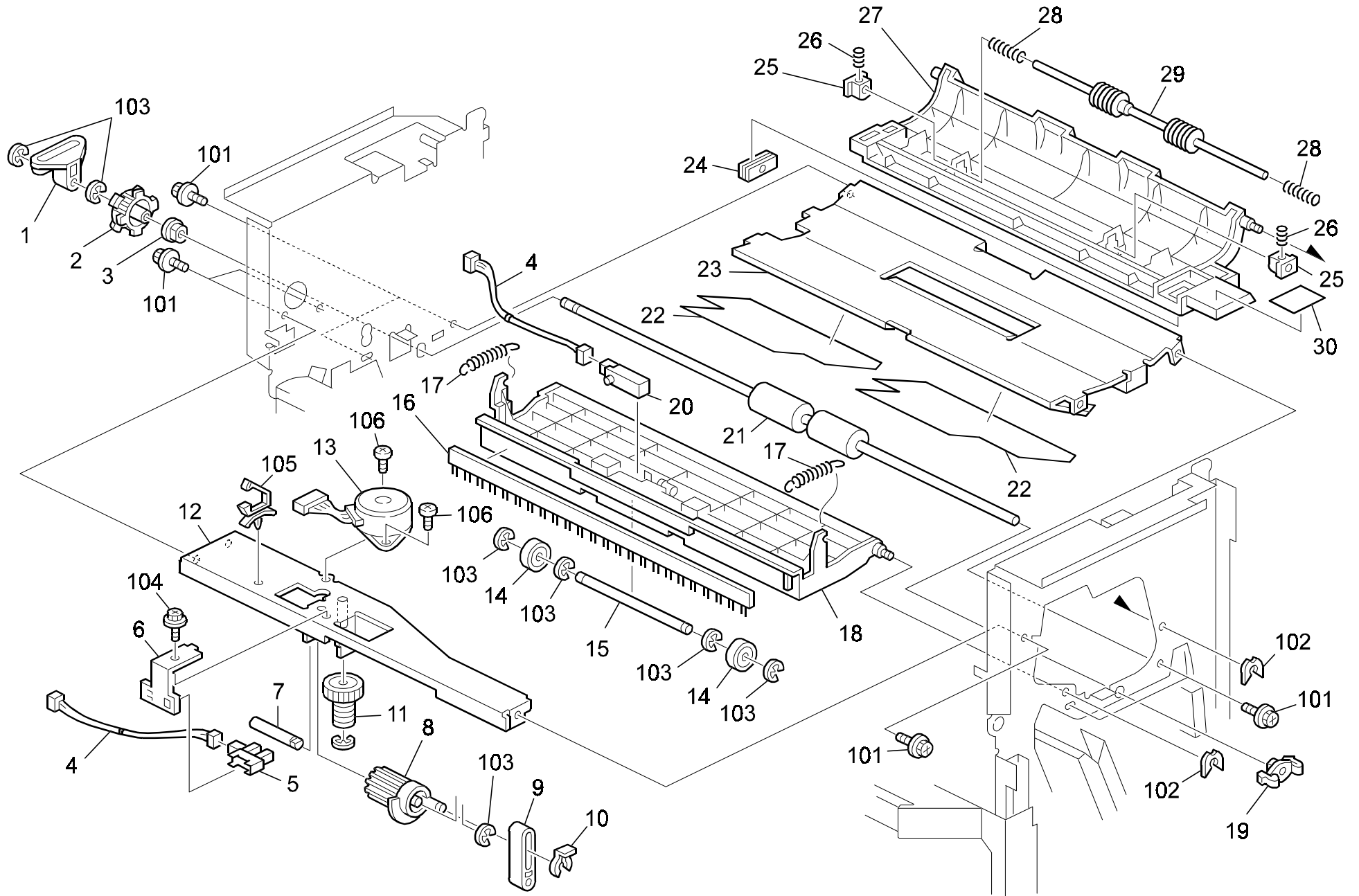
2. TRANSPORT SECTION (B408)

Rev. 07/21/2008

Index No.	Part No.	Description	Q'ty Per Assembly
1	B408 2271	Pulley - T24	1
2	AA08 2101	Bushing - 6x10x6	6
3	B408 2532	Lever - Paper Guide Upper	1
4	G020 5626	Push Switch	1
5	B408 2221	Transfer Roller - Upper	1
6	B408 2232	Exit Roller - Proof Tray [TSB#008]	1
7	B408 2211	Transfer Roller	1
8	B408 5310	Harness - Connecting	1
9	AW02 0103	Photointerrupter	1
10	A859 3425	Spring Plate	2
11	A859 3420	Middle Driven Roller	2
12	B408 2157	Left Guide Plate - Entrance	1
13	B408 2152	Guide Plate - Entrance	1
14	AW02 0049	Photointerruptor - OS - 580213-703	1
15	A548 1317	Lever Cushion	1
16	B408 2723	Upper Paper Guide	1
17	B408 2722	Spring - Upper Paper Guide	1
18	AG07 0514	Magnet Catch [TSB#005]	2
19	B408 2715	Discharge Brush	1
20	B408 2731	Arm - Top Cover	1
21	5447 2681	Snap Ring	1
22	B408 2711	Top Cover	1
23	AF04 0558	Driven Roller	4
24	A688 3960	Roller Holder	2
25	B408 2281	Knob - Transfer Roller	1
26	B408 7112	Decal - Knob R2	1
27	B408 1231	Angle - Front Side Plate	1

Index No.	Part No.	Description	Q'ty Per Assembly
101	0802 5276	Tapping Screw with Washer - M3x6	
102	0805 0089	Retaining Ring - M4	
103	1105 0511	Harness Clamp - LWS-0306ZC	
104	1105 0329	Clamp - ES-0510	

3.PAPER EXIT SECTION 1 (B408)



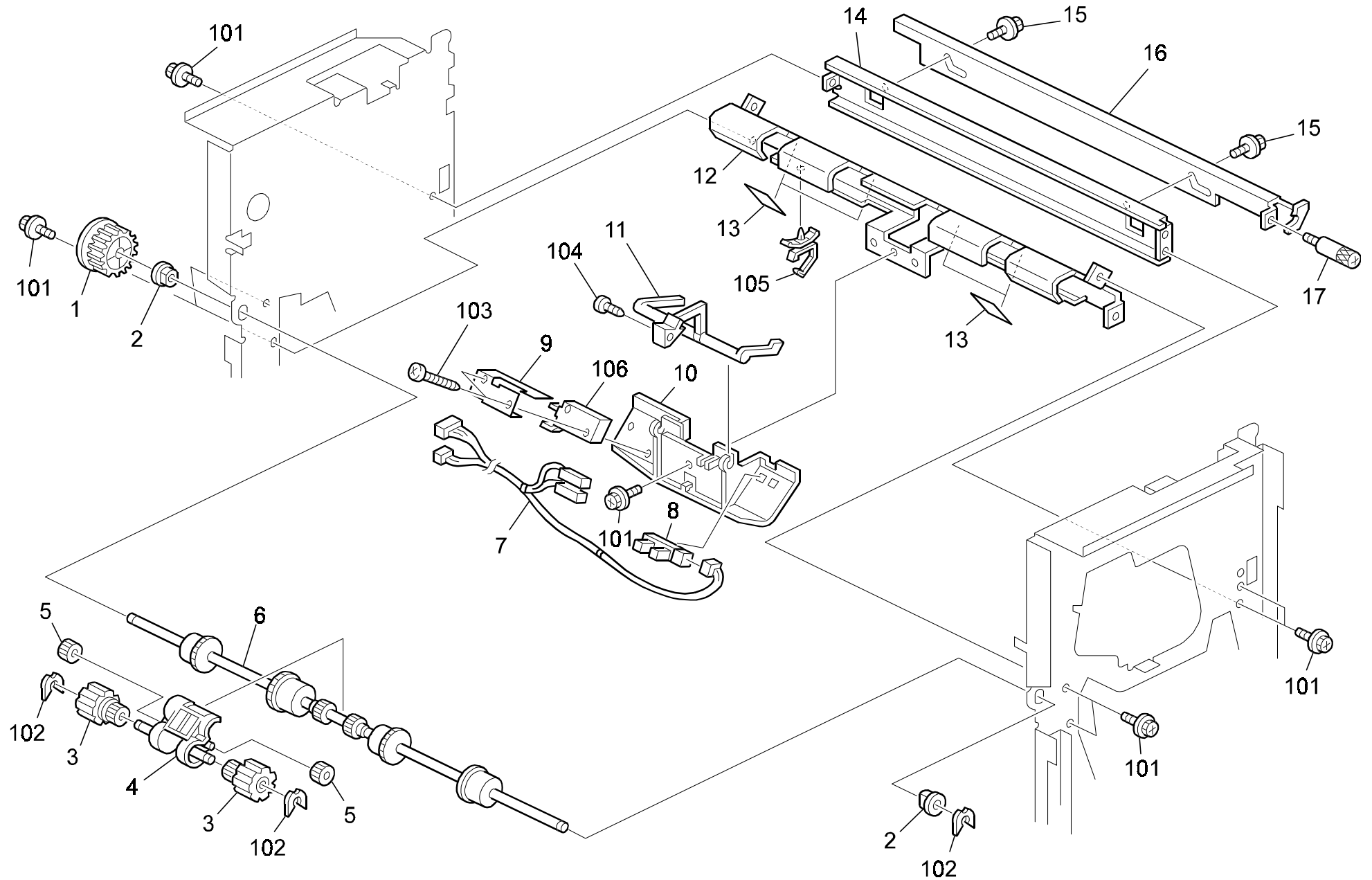
3.PAPER EXIT SECTION 1 (B408)

Rev. 05/02/2005

Index No.	Part No.	Description	Q'ty Per Assembly
1	B408 2314	Arm - Roller Slide	1
2	B408 2313	Pulley - T24	1
3	AA08 2101	Bushing - 6x10x6	1
4	B408 5340	Sensor Relay Harness - 280mm	2
5	AW02 0156	Photointerruptor [TSB#005]	1
6	B408 2841	Bracket - Home Position Sensor	1
7	B408 2833	Shaft - Worm Wheel	1
8	B408 2832	Worm Wheel - Z20	1
9	B408 2861	Arm - Guide Plate	1
10	5447 2681	Snap Ring	1
11	B408 2831	Gear - Z53	1
12	B408 2821	Stay - Guide Plate	1
13	AX05 0160	Stepper Motor - MM42 0.85A	1
14	A681 2742	Driven Exit Roller	2
15	A666 4210	Shaft - Exit Roller	1
16	B352 2203	Discharge Brush - Stapler Tray	1
17	B408 2852	Spring - Guide Plate Exit	1
18	B408 2811	Guide Plate - Exit	1
19	B408 2312	Bushing - Roller Slide	1
20	AW01 0109	Photo Reflection Sensor - PS-17ND1 [TSB#005]	1
21	B408 2311	Slide Roller	1
22	B408 2162	Guide Mylar	2
23	B408 2160	Guide Plate - Shift Ass'y	1
24	AG07 0514	Magnet Catch [TSB#005]	1
25	B408 2175	Bushing - Roller Slide	2
26	A697 2144	Pressure Spring	2
27	B408 2172	Guide Plate - Shift	1
28	B408 2174	Spring	2
29	B408 2173	Slide Roller	1
30	B408 7102	Decal - Shift Tray R1	1

Index No.	Part No.	Description	Q'ty Per Assembly
101	0802 5276	Tapping Screw With Washer - M3x6	
102	0805 0089	Retaining Ring - M4	
103	0720 0040B	Retaining Ring - M4	
104	0451 3006B	Tapping Screw - M3x6	
105	1105 0511	Harness Clamp - LWS-0306ZC	
106	0453 3006B	Tapping Screw - M3x6	

4.PAPER EXIT SECTION 2 (B408)



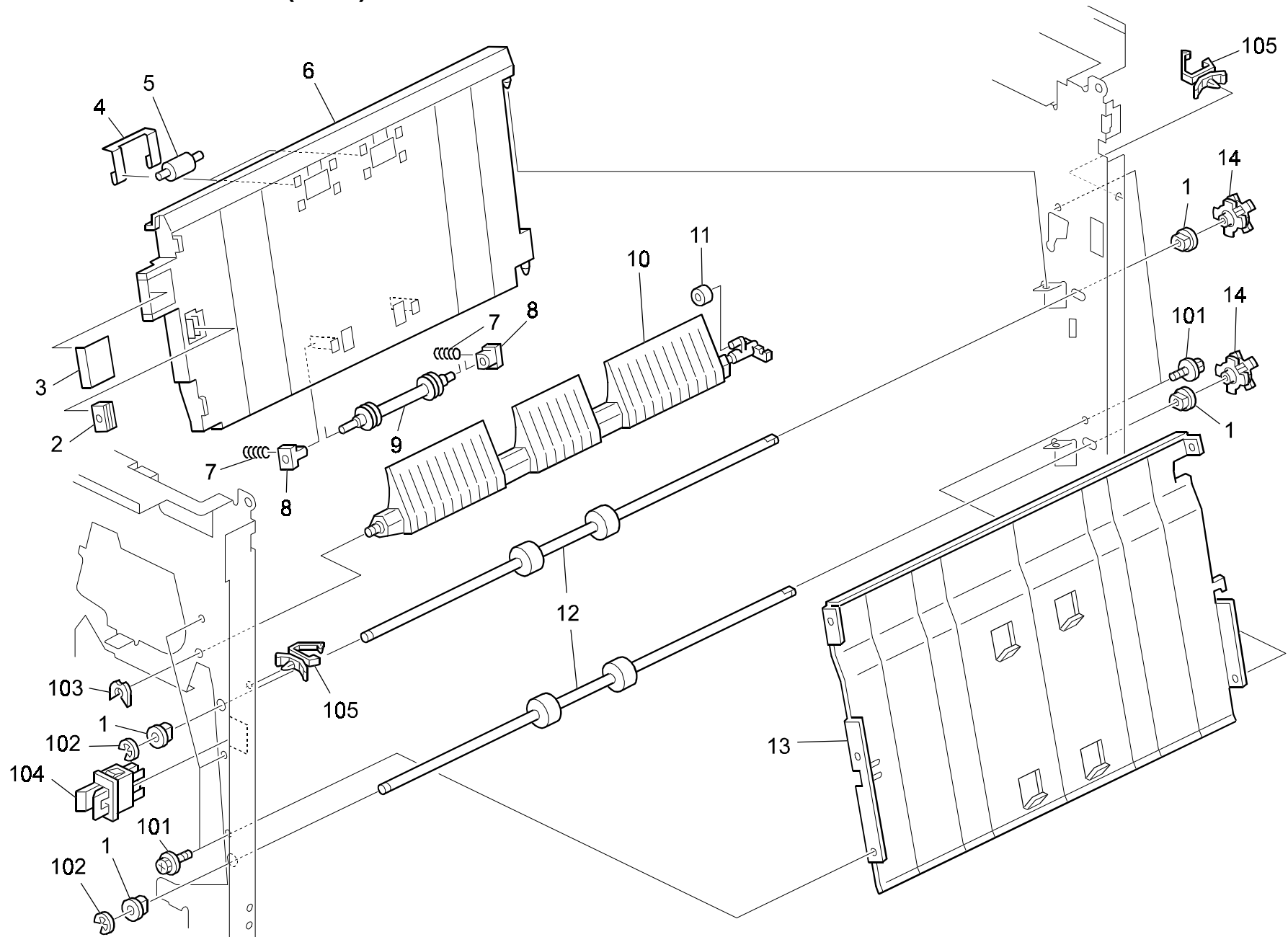
4.PAPER EXIT SECTION 2 (B408)

Rev. 09/17/2009

Index No.	Part No.	Description	Q'ty Per Assembly
1	B408 2272	Pulley - T30	1
2	AA08 2101	Bushing - 6x10x6	2
3	B352 2407	Reverse Roller - 20z	2
4	B408 2246	Reverse Roller Arm	1
5	B352 2409	Idler Gear - 17z	2
6	B408 2241	Exit Roller	1
7	B408 5300	Harness - Paper Sensor	1
8	AW02 0156	Photointerruptor [TSB#005]	1
9	B408 3613	Lever - Micro Switch	1
10	B408 3611	Stay - Paper Sensor	1
11	B408 3612	Paper Sensor Feeler	1
12	B408 2184	Guide Plate - Exit Stapler [TSB#008]	1
13	A681 2722	Guide Mylar - Lower Exit Guide	4
14	B408 1413	Coupling Stay	1
15	AA14 3790	Stepped Screw - Lever [TSB#005]	2
16	B408 1411	Coupling Lever	1
17	B408 1412	Flat Screw	1

Index No.	Part No.	Description	Q'ty Per Assembly
101	0802 5276	Tapping Screw with Washer - M3x6	
102	0805 0089	Retaining Ring - M4	
103	0452 3020N	Tapping Screw - 3x20	
104	0452 3008B	Tapping Screw - M3x8	
105	1105 0511	Harness Clamp - LWS-0306ZC	
106	1204 2540	Micro Switch - AM50650C3	

5.VERTICAL TRANSPORT (B408)



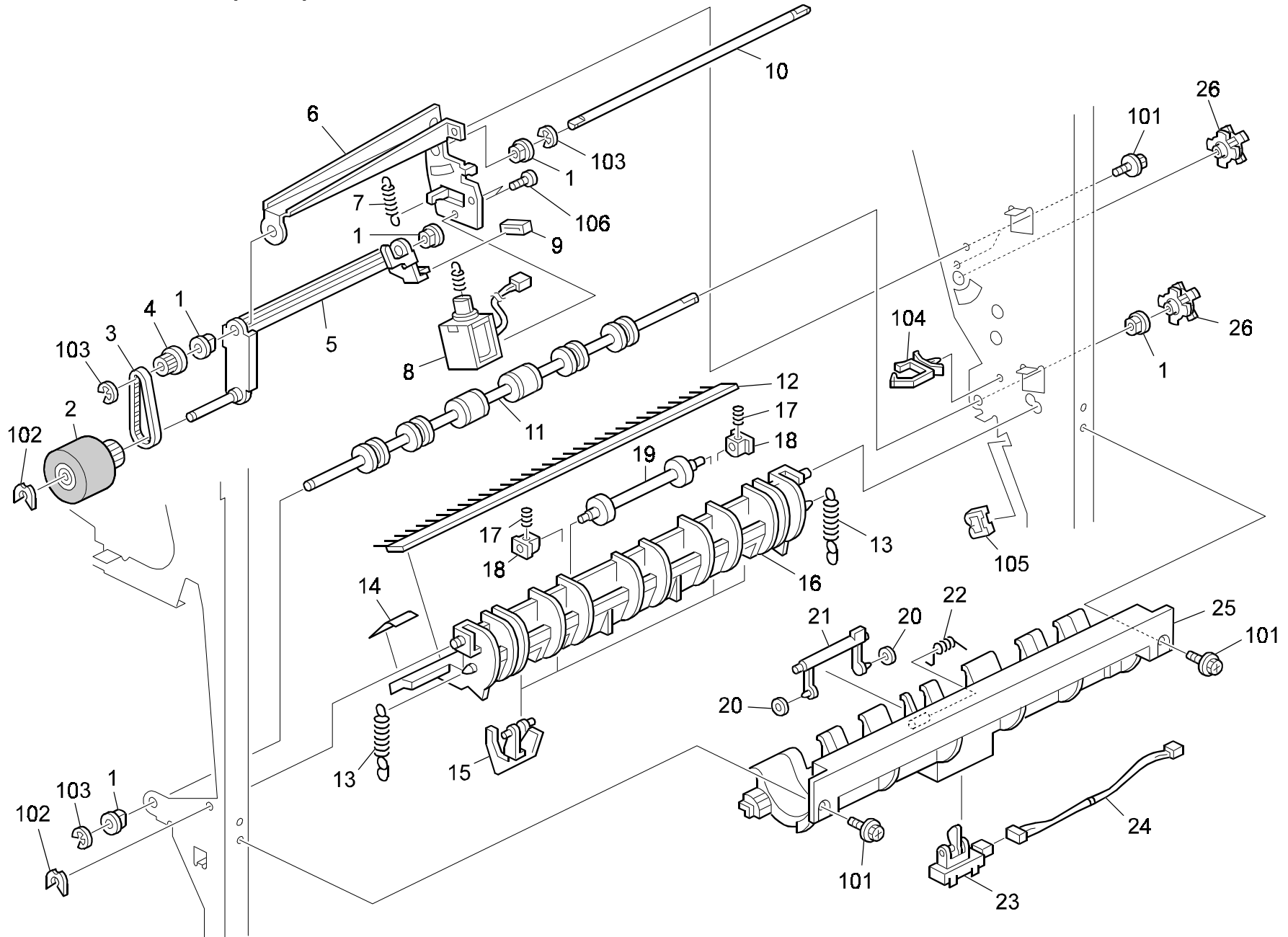
5.VERTICAL TRANSPORT (B408)

Rev. 04/09/2009

Index No.	Part No.	Description	Q'ty Per Assembly
1	AA08 2101	Bushing - 6x10x6	4
2	AG07 0514	Magnet Catch [TSB#005]	1
3	B408 7122	Decal - Stapler Tray R3	1
4	A859 3425	Spring Plate	2
5	A859 3420	Middle Driven Roller	2
6	B408 2142	Guide Plate - Stapler Tray	1
7	A697 2144	Pressure Spring	2
8	AA08 0237	Bushing - 4x5x7	2
9	AF02 2097	Driven Roller	1
10	B408 2541	Lower Paper Guide [TSB#005]	1
11	A548 1317	Lever Cushion	1
12	B408 2211	Transfer Roller	2
13	B408 2131	Upper Guide Plate	1
14	B408 2271	Pulley - T24	2

Index No.	Part No.	Description	Q'ty Per Assembly
101	0802 5276	Tapping Screw with Washer - M3x6	
102	0720 0040B	Retaining Ring - M4	
103	0805 0089	Retaining Ring - M4	
104	1204 2844	Interlock Switch [TSB#010]	
105	1105 0511	Harness Clamp - LWS-0306ZC	

6.STAPLE SECTION 1 (B408)



6.STAPLE SECTION 1 (B408)

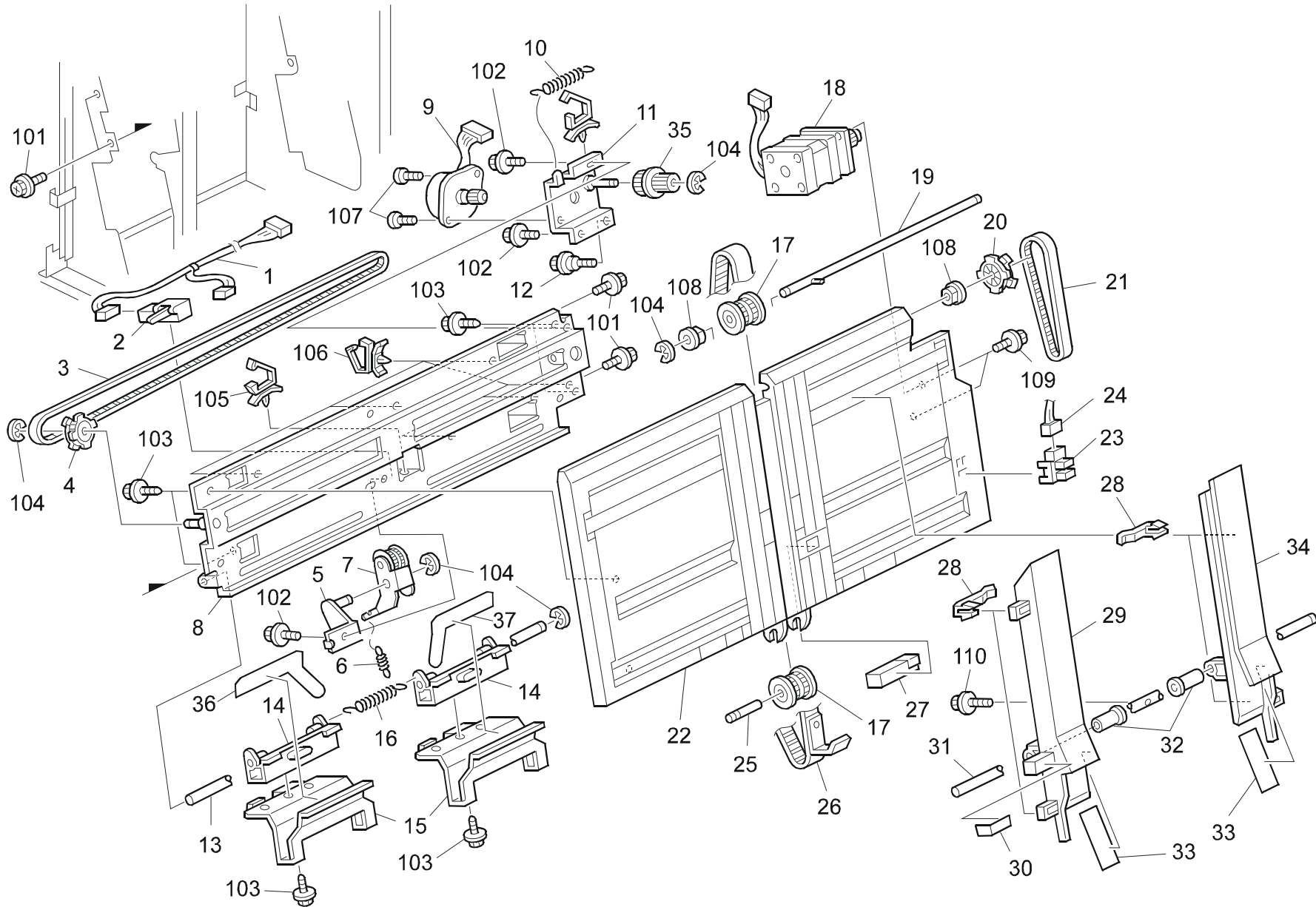
Rev. 03/19/2004

Index No.	Part No.	Description	Q'ty Per Assembly
1	AA08 2101	Bushing - 6x10x6	5
2	B408 2435	Positioning Roller <i>[TSB#004]</i>	1
3	B408 2434	Timing Belt - 124P2M4	1
4	B408 2422	Pulley - T16	1
5	B408 2411	Arm - Positioning Roller	1
6	B408 2421	Bracket - Positioning Roller	1
7	B408 2444	Spring - Positioning Roller	1
8	B408 2451	DC Solenoid - 12.5W	1
9	A498 4625	Arm Cushion	1
10	B408 2441	Shaft - Positioning Roller	1
11	B408 2251	Stapler Exit Roller	1
12	B352 2203	Discharge Brush - Stapler Tray	1
13	B352 2206	Tension Spring - Lower Guide	2
14	B408 7132	Decal - Stapler Tray Exit R4	1
15	B408 2113	Guide - Trailing Edge	4
16	B408 2112	Guide Plate - Lower	1
17	A697 2144	Pressure Spring	2
18	B352 2205	Bushing - Driven Roller	2
19	B352 2204	Driven Roller	1
20	B352 2229	Roller - Paper Guide	2
21	B352 2222	Paper Guide - Trailing Edge	1
22	B352 2232	Torsion Spring	1
23	AW02 0049	Photointerruptor - OS - 580213-703	1
24	B408 5340	Sensor Relay Harness - 280mm	1
25	B408 2122	Guide Plate - Lower	1
26	B408 2271	Pulley - T24	1

Index No.	Part No.	Description	Q'ty Per Assembly
101	0802 5276	Tapping Screw With Washer - M3x6	
102	0805 0089	Retaining Ring - M4	
103	0720 0040B	Retaining Ring - M4	
104	1105 0511	Harness Clamp - LWS-0306ZC	
105	1105 0328	Harness Clamp - ES-0505	
106	0353 0040B	Screw - M3X4	

7.STAPLE SECTION 2 (B408)

Rev. 03/19/2004



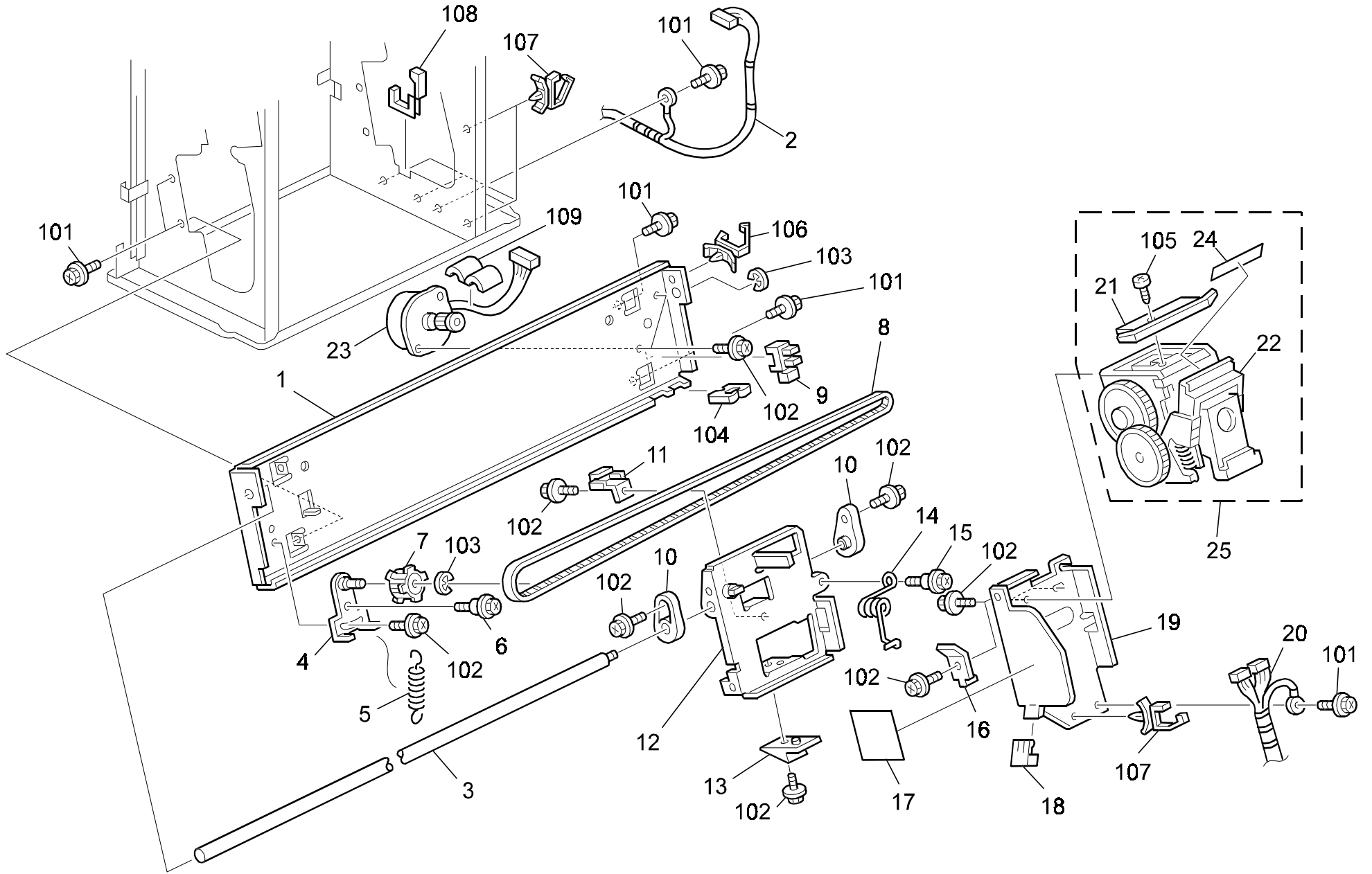
7.STAPLE SECTION 2 (B408)

Rev. 02/14/2006

Index No.	Part No.	Description	Q'ty Per Assembly
1	B408 5330	Harness - Stapler Tray	1
2	AW02 0166	Exit Sensor [TSB#005]	1
3	B408 4336	Timing Belt - 940P2M4	1
4	A697 4170	Pulley - 32T	1
5	B408 4392	Exit Tension Bracket	1
6	B408 4398	Tension Spring	1
7	B408 4395	Pulley - Exit Belt	1
8	B408 4321	Stay - Stapler Tray	1
9	AX05 0160	Stepper Motor - MM42 0.85A	1
10	B408 4337	Spring	1
11	B408 4332	Bracket - Jogger Motor	1
12	AA14 3790	Stepped Screw - Lever [TSB#005]	1
13	B408 4343	Slider Fence Shaft	1
14	B352 4232	Slider - Training Edge Fence	2
15	B408 4342	Trailing Edge Fence	2
16	B700 4107	Spring [TSB#005]	1
17	A666 3180	Timing Pulley - Z32	2
18	B408 5512	Stepper Motor: Sub Ass'y [TSB#006]	1
19	B408 4385	Shaft - Exit Belt	1
20	B408 4382	Pulley - T26	1
21	B408 4371	Timing Belt - 246P3M4	1
22	B408 4311	Stapler Tray	1
23	AW02 0156	Photointerruptor [TSB#005]	1
24	B408 5320	Sensor Harness	1
25	B408 4383	Shaft - Idler Exit Belt	1
26	B408 4372	Exit Belt Ass'y	1
27	AW01 0109	Photo Reflection Sensor - PS-17ND1 [TSB#005]	1
28	B408 4363	Slider - Jogger Fence	2
29	B408 4362	Jogger Fence - Front	1
30	B408 7142	Decal - Jogger Fence R5	1
31	B408 4367	Shaft - Jogger Fence	1
32	A681 4515	Bushing - 6mm	2
33	B408 4364	Film - Jogger Fence	2
34	B408 4366	Jogger Fence - Inner	1

Index No.	Part No.	Description	Q'ty Per Assembly
35	B408 4335	Timing Pulley - Jogger	1
36	B408 4344	Front Fence Mylar [TSB#004]	1
37	B408 4347	Rear Fence Mylar [TSB#004]	1
101	0802 5276	Tapping Screw With Washer - M3x6	
102	0451 3006B	Tapping Screw - M3x6	
103	0450 3008B	Tapping Screw - M3x8	
104	0720 0040B	Retaining Ring - M4	
105	1105 0310	Harness Clamp - LWS-1S	
106	1105 0511	Harness Clamp - LWS-0306ZC	
107	0453 3006B	Tapping Screw - M3x6	
108	0805 3385	Bushing - 6mm	
109	0451 3008B	Tapping Screw - M3x8	
110	0451 3010B	Tapping Screw - M3x10	

8.STAPLE SECTION 3 (B408)



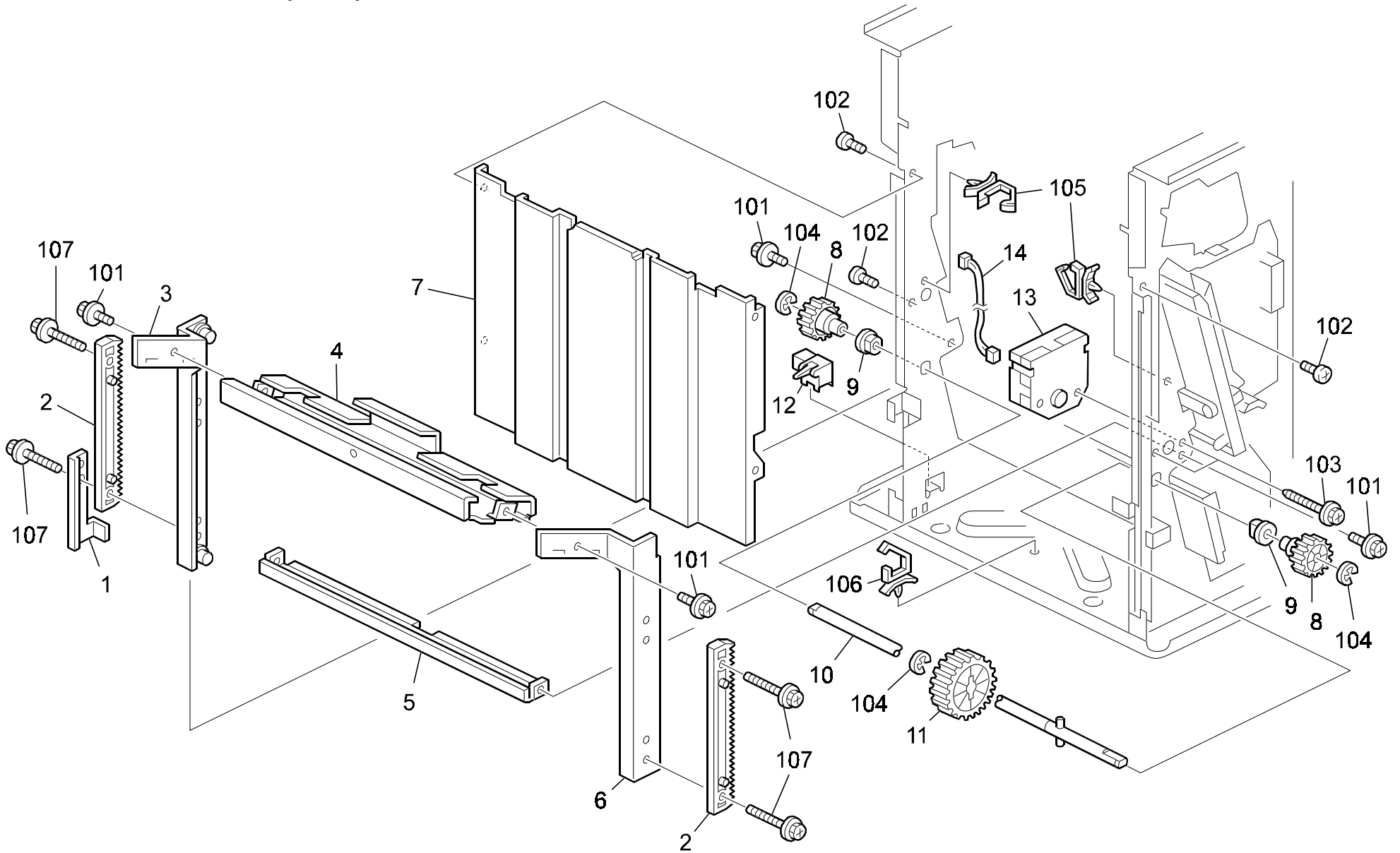
8.STAPLE SECTION 3 (B408)

Rev. 6/3/2011

Index No.	Part No.	Description	Q'ty Per Assembly
1	B408 4211	Stapler Stay	1
2	B408 5220	Harness - Sensor Stapler Tray	1
3	B408 4212	Stapler Guide Rod	1
4	B408 4223	Belt Tensioner - Stapler	1
5	AA06 2334	Spring - Oil Blade [TSB#005]	1
6	AA14 3790	Stepped Screw - Lever [TSB#005]	1
7	A697 4170	Pulley - 32T	1
8	B408 4231	Timing Belt - 846P2M4	1
9	AW02 0156	Photointerruptor [TSB#005]	1
10	B408 4125	Stapler Bushing	2
11	B408 4126	Timing Belt Stay	1
12	B408 4121	Stapler Slider	1
13	B408 4127	Stay Slider	1
14	B408 4128	Spring	1
15	B408 4129	Stepped Screw - M3x6 [TSB#005]	1
16	B408 4114	Stapler Stopper	1
17	B408 7161	Decal - Stapler	1
18	B408 4113	Stapler Knob	1
19	B408 4116	Stapler Base	1
20	B408 5456	Harness: Stapler	1
21	B408 4112	Stapler Guide	1
22	B352 4380	Stapler - EH530	1
23	B408 5550	Stepper Motor - 20W	1
24	B408 4115	Stapler Upper Mylar	1
25	B408 4101	Stapler Ass'y	1

Index No.	Part No.	Description	Q'ty Per Assembly
101	0802 5276	Tapping Screw With Washer - M3x6	
102	0451 3006B	Tapping Screw - M3x6	
103	0720 0040B	Retaining Ring - M4	
104	1105 0328	Harness Clamp - ES-0505	
105	0452 3006B	Tapping Screw - M3x6	
106	1105 0511	Harness Clamp - LWS-0306ZC	
107	1105 0310	Harness Clamp - LWS-1S	
108	1105 0334	Edge - 17	
109	1607 0622	Ferrite Core - TFC16816	

9.SHIFT TRAY DRIVE (B408)



9.SHIFT TRAY DRIVE (B408)

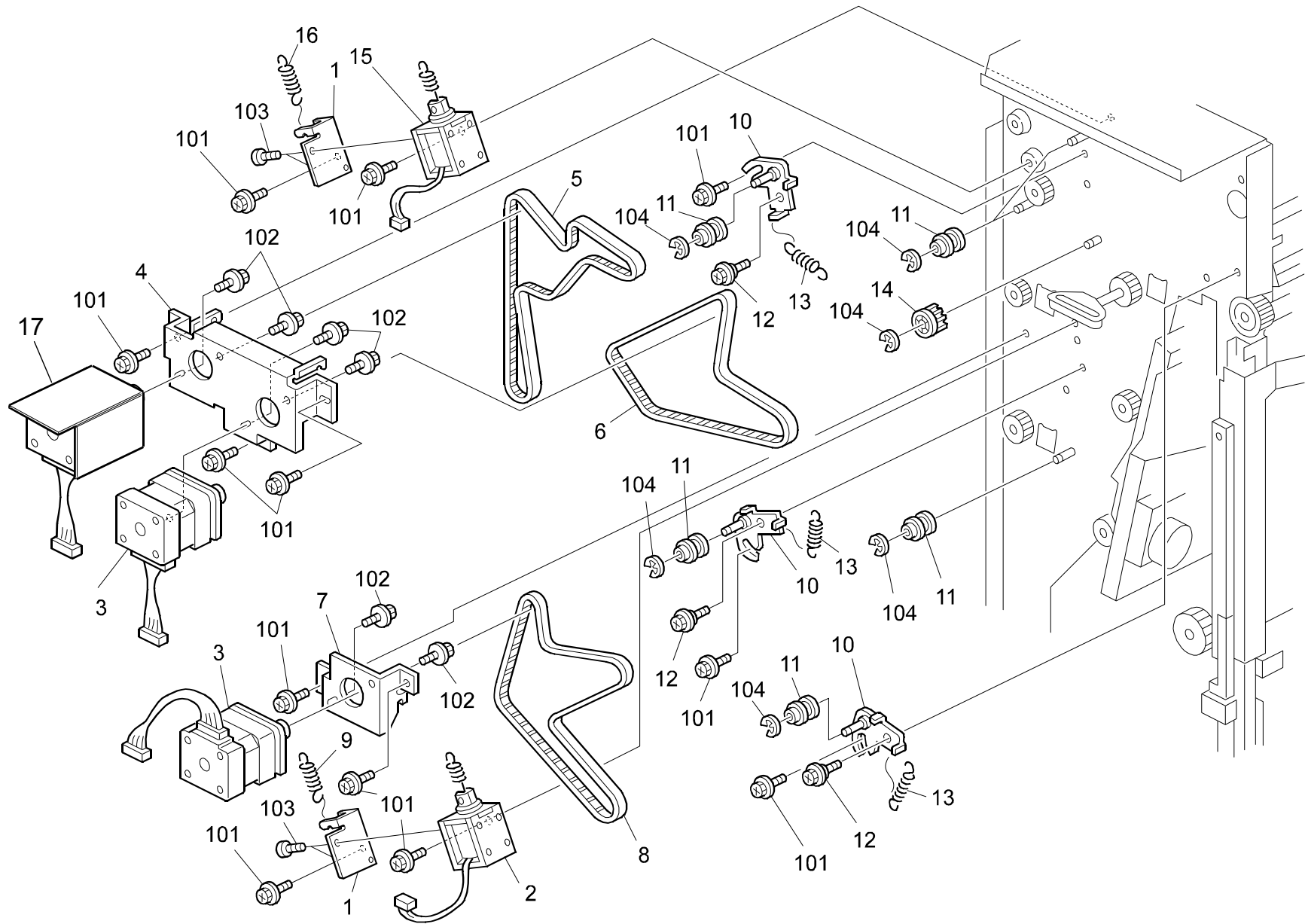
Rev. 12/08/2011

Index No.	Part No.	Description	Q'ty Per Assembly
1	B408 3233	Tray H.P Sensor Feeler	1
2	A666 2331	Rack	2
3	B408 3235	Rear Guide Plate	1
4	B408 3212	Base: Tray	1
5	B408 1511	Middle Stay	1
6	B408 3225	Front Guide Plate	1
7	B408 3111	End Fence	1
8	A666 2345	Gear - Z20	2
9	AA08 2070	Bushing - 8x16x7	2
10	B408 3311	Tray Shaft	1
11	A666 2347	Gear - Z45	1
12	AW02 0166	Exit Sensor [TSB#005]	1
13	AX04 0248	DC Motor: Tray: Upper Lower: Drive: 4.8W	1
14	B408 5320	Sensor Harness	1

Index No.	Part No.	Description	Q'ty Per Assembly
101	0802 5276	Tapping Screw With Washer - M3x6	
102	0453 3006B	Tapping Screw - M3x6	
103	0450 4020B	Tapping Screw - 4x20	
104	0720 0060B	Retaining Ring - M6	
105	1105 0511	Harness Clamp - LWS-0306ZC	
106	1105 0291	Harness Clamp - LWS-3S	
107	0451 3010B	Tapping Screw - M3x10	

10.DRIVE SECTION (B408)

Rev. 07/26/2010



10.DRIVE SECTION (B408)

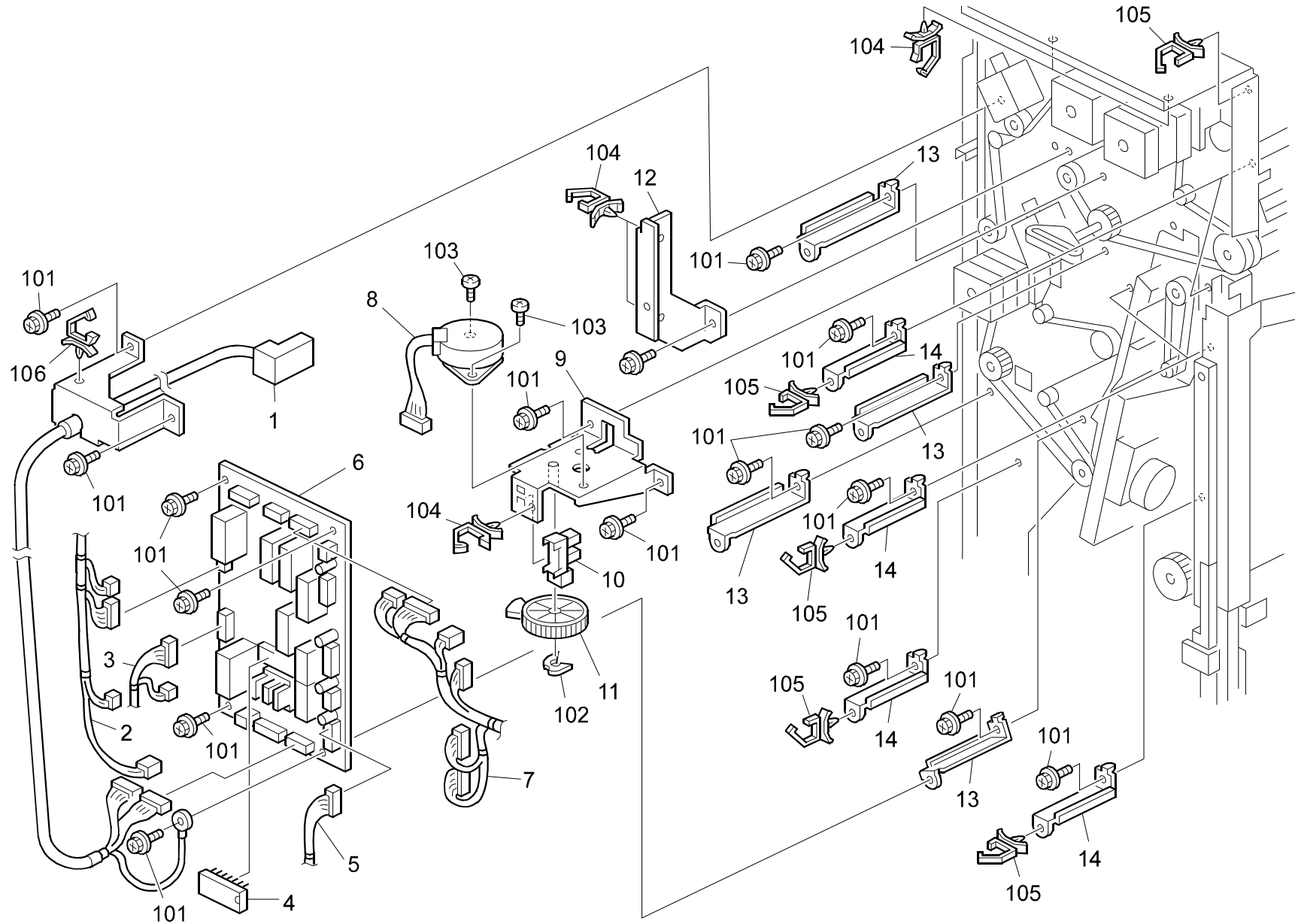
Rev. 07/23/2010

Index No.	Part No.	Description	Q'ty Per Assembly
1	B408 2512	Bracket - DC Solenoid	2
2	B408 2511	DC Solenoid	2
3	B408 5610	Stepper Motor: MM42:S3M:T11: Ass'y [TSB#013]	2
4	B408 2912	Bracket - Stepper Motor	1
5	B408 2901	Timing Belt - B40S3M720	1
6	B408 2903	Timing Belt - B40S3M525	1
7	B408 2922	Bracket - Stepper Motor	1
8	B408 2902	Timing Belt - B40S3M579	1
9	AA06 2333	Release Spring [TSB#005]	1
10	B408 2955	Bracket - Tension [TSB#005]	3
11	A548 2139	Pulley	6
12	AA14 3790	Stepped Screw - Lever [TSB#005]	3
13	AA06 2334	Spring - Oil Blade [TSB#005]	3
14	AB03 0354	Pulley - 20T	1
15	AX11 0066	DC Solenoid - 24V 5.76W	1
16	A697 2101	Tension Spring	1
17	B408 2980	DC Stepper Moor: Transport: Upper: Ass'y [TSB#013]	1

Index No.	Part No.	Description	Q'ty Per Assembly
101	0802 5276	Tapping Screw With Washer - M3x6	
102	0451 3006B	Tapping Screw - M3x6	
103	0353 0040B	Screw - M3X4	
104	0720 0040B	Retaining Ring - M4	

11.ELECTRICAL SECTION (B408)

Rev. 07/23/2010

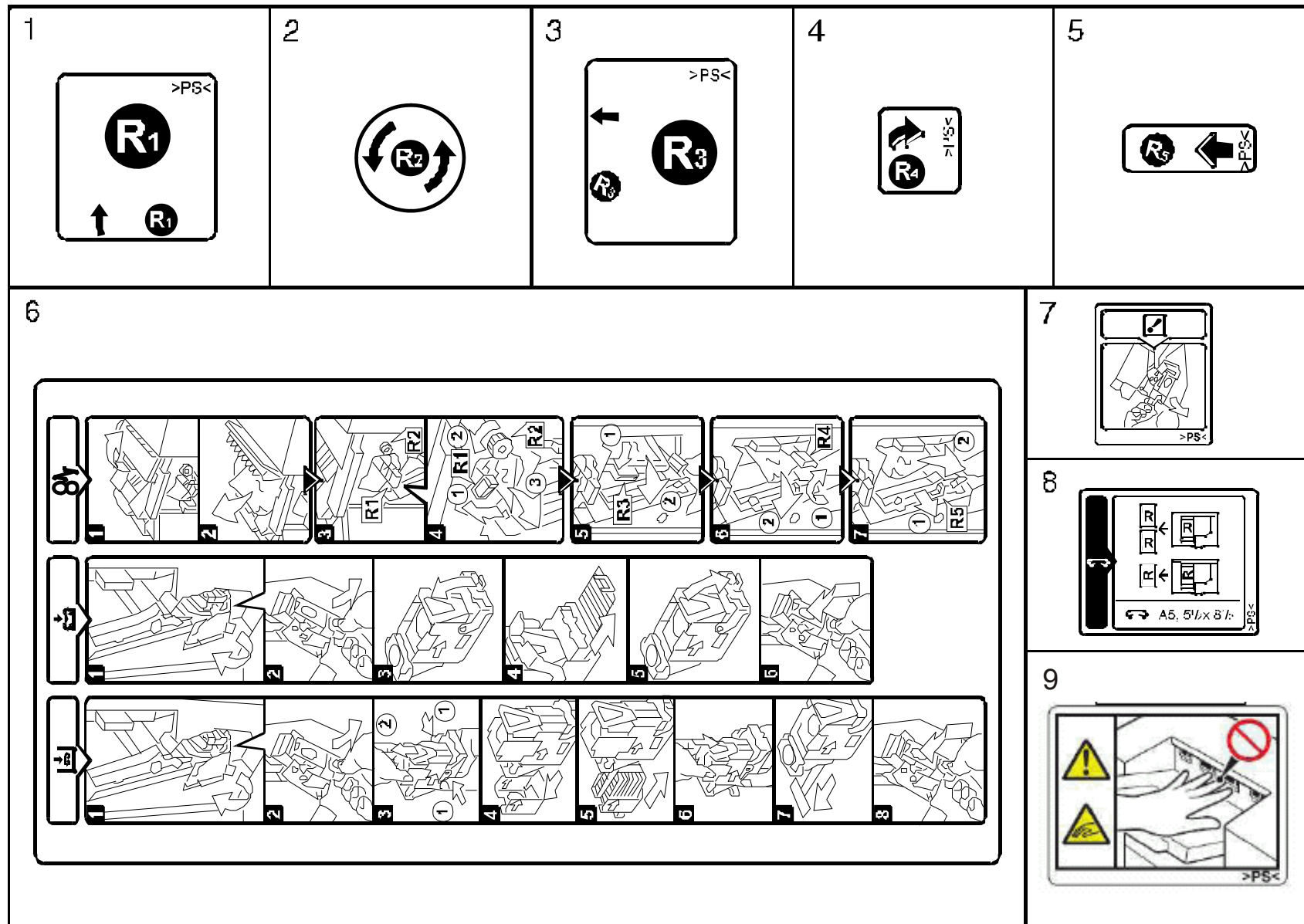


11.ELECTRICAL SECTION (B408)

Rev. 03/07/2011

Index No.	Part No.	Description	Q'ty Per Assembly
1	B408 5560	Harness: Interface: Ass'y [TSB#012]	1
2	B408 5417	Harness: Sensor: Main [TSB#012]	1
3	B408 5230	Sensor Harness - Lower Tray	1
4	B408 5164	ROM - Main Control [TSB#011R]	1
5	B408 5220	Harness - Sensor Stapler Tray	1
6	B408 5155	PCB: Main Control	1
7	B408 5447	Harness: Motor: Main [TSB#012]	1
8	B408 5530	Stepper Motor - 11W	1
9	B408 2321	Bracket - Motor Slide	1
10	AW02 0156	Photointerruptor [TSB#005]	1
11	B408 2331	Link Drive Gear	1
12	B408 1121	Angle - Side Plate Rear	1
13	B408 5540	Main Board Bracket	4
14	B408 5545	Harness Bracket	4

Index No.	Part No.	Description	Q'ty Per Assembly
101	0802 5276	Tapping Screw With Washer - M3x6	
102	0805 0089	Retaining Ring - M4	
103	0453 3006B	Tapping Screw - M3x6	
104	1105 0511	Harness Clamp - LWS-0306ZC	
105	1105 0310	Harness Clamp - LWS-1S	
106	1105 0623	Clamp - LBWS-0206S-V0 [TSB#012]	



12.DECALS AND DOCUMENTS (B408)

Rev. 3/31/2011

Index No.	Part No.	Description	Q'ty Per Assembly
1	B408 7101	Decal - Shift Tray R1	1
2	B408 7111	Decal - Knob R2	1
3	B408 7121	Decal - Stapler Tray R3	1
4	B408 7131	Decal - Stapler Tray Exit R4	1
5	B408 7141	Decal - Jogger Fence R5	1
6	B408 7151	Decal - Misfeed Removal	1
7	B408 7161	Decal - Stapler	1
8	B408 7171	Decal - Staple	1
9	B804 7813	Decal: Caution: Proof Tray: Paper Exit Sub-Unit [TSB#014]	1

Index No.	Part No.	Description	Q'ty Per Assembly

**1,000 SHEET FINISHER B408
PARTS INDEX**

This section instructs you as to the numbers and names of parts on this machine.

Parts Index

Part No.	Description	Page and Index No.
B408 1121	Angle - Side Plate Rear	23- 12
B408 1231	Angle - Front Side Plate	5- 27
B408 1241	Guard - Side Plate Front	3- 11
B408 1312	Caster	3- 7
B408 1411	Coupling Lever	9- 16
B408 1412	Flat Screw	9- 17
B408 1413	Coupling Stay	9- 14
B408 1414	Bracket - Coupling Rear	3- 23
B408 1418	Mylar - Rear Joint Bracket	3- 21
B408 1422	Bracket - Ground Plate	3- 8
B408 1425	Bracket - Coupling Front	3- 24
B408 1511	Middle Stay	19- 5
B408 2112	Guide Plate - Lower	13- 16
B408 2113	Guide - Trailing Edge	13- 15
B408 2122	Guide Plate - Lower	13- 25
B408 2131	Upper Guide Plate	11- 13
B408 2142	Guide Plate - Stapler Tray	11- 6
B408 2152	Guide Plate - Entrance	5- 13
B408 2156	Left Guide Plate - Entrance	5- 12
B408 2160	Guide Plate - Shift Ass'y	7- 23
B408 2162	Guide Mylar	7- 22
B408 2172	Guide Plate - Shift	7- 27
B408 2173	Slide Roller	7- 29
B408 2174	Spring	7- 28
B408 2175	Bushing - Roller Slide	7- 25
B408 2182	Guide Plate - Exit Stapler	9- 12
B408 2191	Guide Plate - Connecting Lower	3- 25
B408 2192	Guide Plate - Connecting Upper	3- 20
B408 2211	Transfer Roller	11- 12
B408 2211	Transfer Roller	5- 7
B408 2221	Transfer Roller - Upper	5- 5
B408 2231	Exit Roller - Proof Tray	5- 6
B408 2241	Exit Roller	9- 6
B408 2246	Reverse Roller Arm	9- 4
B408 2251	Stapler Exit Roller	13- 11

Part No.	Description	Page and Index No.
B408 2271	Pulley - T24	11- 14
B408 2271	Pulley - T24	5- 1
B408 2271	Pulley - T24	13- 26
B408 2272	Pulley - T30	9- 1
B408 2281	Knob - Transfer Roller	5- 25
B408 2311	Slide Roller	7- 21
B408 2312	Bushing - Roller Slide	7- 19
B408 2313	Pulley - T24	7- 2
B408 2314	Arm - Roller Slide	7- 1
B408 2321	Bracket - Motor Slide	23- 9
B408 2331	Link Drive Gear	23- 11
B408 2411	Arm - Positioning Roller	13- 5
B408 2421	Bracket - Positioning Roller	13- 6
B408 2422	Pulley - T16	13- 4
B408 2431	Positioning Roller	13- 2
B408 2434	Timing Belt - 124P2M4	13- 3
B408 2441	Shaft - Positioning Roller	13- 10
B408 2444	Spring - Positioning Roller	13- 7
B408 2451	DC Solenoid - 12.5W	13- 8
B408 2511	DC Solenoid	21- 2
B408 2512	Bracket - DC Solenoid	21- 1
B408 2521	Lower Paper Guide	11- 10
B408 2532	Lever - Paper Guide Upper	5- 3
B408 2711	Top Cover	5- 22
B408 2715	Discharge Brush	5- 19
B408 2721	Upper Paper Guide	5- 16
B408 2722	Spring - Upper Paper Guide	5- 17
B408 2731	Arm - Top Cover	5- 20
B408 2811	Guide Plate - Exit	7- 18
B408 2821	Stay - Guide Plate	7- 12
B408 2831	Gear - Z53	7- 11
B408 2832	Worm Wheel - Z20	7- 8
B408 2833	Shaft - Worm Wheel	7- 7
B408 2841	Bracket - Home Position Sensor	7- 6
B408 2852	Spring - Guide Plate Exit	7- 17

Part No.	Description	Page and Index No.
B408 2861	Arm - Guide Plate	7- 9
B408 2901	Timing Belt - B40S3M720	21- 5
B408 2902	Timing Belt - B40S3M579	21- 8
B408 2903	Timing Belt - B40S3M525	21- 6
B408 2912	Bracket - Stepper Motor	21- 4
B408 2922	Bracket - Stepper Motor	21- 7
B408 2952	Bracket - Tension	21- 10
B408 3111	End Fence	19- 7
B408 3211	Tray Base	19- 4
B408 3221	Front Guide Plate	19- 6
B408 3231	Rear Guide Plate	19- 3
B408 3233	Tray H.P Sensor Feeler	19- 1
B408 3311	Tray Shaft	19- 10
B408 3411	Tray	3- 5
B408 3412	Slide Tray	3- 3
B408 3611	Stay - Paper Sensor	9- 10
B408 3612	Paper Sensor Feeler	9- 11
B408 3613	Lever - Micro Switch	9- 9
B408 4101	Stapler Ass'y	17- 25
B408 4111	Stapler Base	17- 19
B408 4112	Stapler Guide	17- 21
B408 4113	Stapler Knob	17- 18
B408 4114	Stapler Stopper	17- 16
B408 4115	Stapler Upper Mylar	17- 24
B408 4121	Stapler Slider	17- 12
B408 4125	Stapler Bushing	17- 10
B408 4126	Timing Belt Stay	17- 11
B408 4127	Stay Slider	17- 13
B408 4128	Spring	17- 14
B408 4211	Stapler Stay	17- 1
B408 4212	Stapler Guide Rod	17- 3
B408 4223	Belt Tensioner - Stapler	17- 4
B408 4231	Timing Belt - 846P2M4	17- 8
B408 4311	Stapler Tray	15- 22
B408 4321	Stay - Stapler Tray	15- 8

Part No.	Description	Page and Index No.
B408 4332	Bracket - Jogger Motor	15- 11
B408 4335	Timing Pulley - Jogger	15- 35
B408 4336	Timing Belt - 940P2M4	15- 3
B408 4337	Spring	15- 10
B408 4342	Trailing Edge Fence	15- 15
B408 4343	Slider Fence Shaft	15- 13
B408 4362	Jogger Fence - Front	15- 29
B408 4363	Slider - Jogger Fence	15- 28
B408 4364	Film - Jogger Fence	15- 33
B408 4366	Jogger Fence - Inner	15- 34
B408 4367	Shaft - Jogger Fence	15- 31
B408 4371	Timing Belt - 246P3M4	15- 21
B408 4372	Exit Belt Ass'y	15- 26
B408 4382	Pulley - T26	15- 20
B408 4383	Shaft - Idler Exit Belt	15- 25
B408 4385	Shaft - Exit Belt	15- 19
B408 4392	Exit Tension Bracket	15- 5
B408 4395	Pulley - Exit Belt	15- 7
B408 4398	Tension Spring	15- 6
B408 5100	Main Control Board	23- 6
B408 5103	EPROM - Main Control	23- 4
B408 5201	Interface Harness Ass'y	23- 1
B408 5210	Sensor Main Harness	23- 2
B408 5220	Harness - Sensor Stapler Tray	23- 5
B408 5220	Harness - Sensor Stapler Tray	17- 2
B408 5230	Sensor Harness - Lower Tray	23- 3
B408 5240	Main Motor Harness	23- 7
B408 5250	Stapler Harness	17- 20
B408 5300	Harness - Paper Sensor	9- 7
B408 5310	Harness - Connecting	5- 8
B408 5320	Sensor Harness	15- 24
B408 5320	Sensor Harness	19- 14
B408 5330	Harness - Stapler Tray	15- 1
B408 5500	Stepper Motor - 6.2W	21- 3
B408 5510	Stepper Motor - 6.2W	15- 18

Part No.	Description	Page and Index No.
B408 5530	Stepper Motor - 11W	23- 8
B408 5540	Main Board Bracket	23- 13
B408 5545	Harness Bracket	23- 14
B408 5550	Stepper Motor - 20W	17- 23
B408 6111	Upper Cover	3- 19
B408 6121	Front Cover	3- 14
B408 6122	Hinge - Door Upper	3- 17
B408 6124	Hinge - Door Lower	3- 12
B408 6131	Left Inner Cover	3- 10
B408 6141	Rear Cover	3- 1
B408 6151	Left Upper Cover	3- 2
B408 6161	Left Lower Cover	3- 6
B408 6171	Right Lower Cover	3- 16
B408 7101	Decal - Shift Tray R1	7- 30
B408 7101	Decal - Shift Tray R1	25- 1
B408 7111	Decal - Knob R2	5- 26
B408 7111	Decal - Knob R2	25- 2
B408 7121	Decal - Stapler Tray R3	11- 3
B408 7121	Decal - Stapler Tray R3	25- 3
B408 7131	Decal - Stapler Tray Exit R4	13- 14
B408 7131	Decal - Stapler Tray Exit R4	25- 4
B408 7141	Decal - Jogger Fence R5	15- 30
B408 7141	Decal - Jogger Fence R5	25- 5
B408 7151	Decal - Misfeed Removal	25- 6
B408 7151	Decal - Misfeed Removal	3- 13
B408 7161	Decal - Stapler	25- 7
B408 7161	Decal - Stapler	17- 17
B408 7171	Decal - Staple	3- 18
B408 7171	Decal - Staple	25- 8

Part No.	Description	Page and Index No.
AA06 0092	Release Spring	21- 9
AA08 0237	Bushing - 4x5x7	11- 8
AA08 2070	Bushing - 8x16x7	19- 9
AA08 2101	Bushing - 6x10x6	11- 1
AA08 2101	Bushing - 6x10x6	7- 3
AA08 2101	Bushing - 6x10x6	5- 2
AA08 2101	Bushing - 6x10x6	13- 1
AA08 2101	Bushing - 6x10x6	9- 2
AB03 0354	Pulley - 20T	21- 14
AF02 2097	Driven Roller	11- 9
AF04 0558	Driven Roller	5- 23
AG07 0014	Magnet Catch	11- 2
AG07 0014	Magnet Catch	7- 24
AG07 0014	Magnet Catch	5- 18
AW01 0093	Photo Reflection Sensor - PS-17ND1	7- 20
AW01 0093	Photo Reflection Sensor - PS-17ND1	15- 27
AW02 0049	Photointerruptor - OS - 580213-703	13- 23
AW02 0049	Photointerruptor - OS - 580213-703	5- 14
AW02 0086	Photointerruptor	7- 5
AW02 0086	Photointerruptor	9- 8
AW02 0086	Photointerruptor	15- 23
AW02 0086	Photointerruptor	23- 10
AW02 0086	Photointerruptor	17- 9
AW02 0103	Photointerruptor	5- 9
AX04 0098	Motor - DC 12W	19- 13
AX05 0160	Stepper Motor - MM42 0.85A	15- 9
AX05 0160	Stepper Motor - MM42 0.85A	7- 13
AX11 0066	DC Solenoid - 24V 5.76W	21- 15
B352 2203	Discharge Brush - Stapler Tray	13- 12
B352 2203	Discharge Brush - Stapler Tray	7- 16
B352 2204	Driven Roller	13- 19
B352 2205	Bushing - Driven Roller	13- 18
B352 2206	Tension Spring - Lower Guide	13- 13
B352 2222	Paper Guide - Trailing Edge	13- 21
B352 2229	Roller - Paper Guide	13- 20

Part No.	Description	Page and Index No.
B352 2232	Torsion Spring	13- 22
B352 2407	Reverse Roller - 20z	9- 3
B352 2409	Idler Gear - 17z	9- 5
B352 4232	Slider - Training Edge Fence	15- 14
B352 4380	Stapler - EH530	17- 22
B352 5323	Sensor Relay Harness - 280mm	13- 24
B352 5323	Sensor Relay Harness - 280mm	7- 4
G020 1391	Screw - M3X4.5	3- 9
G020 2630	Magnetic Catch	3- 15
G020 4429	Exit Sensor	15- 2
G020 4429	Exit Sensor	19- 12
G020 5626	Push Switch	5- 4

Part No.	Description	Page and Index No.
A300 3759	Spring	15- 16
A498 4625	Arm Cushion	13- 9
A548 1317	Lever Cushion	11- 11
A548 1317	Lever Cushion	5- 15
A548 2139	Pulley	21- 11
A628 3115	Knob Screw - M4	3- 4
A666 2331	Rack	19- 2
A666 2345	Gear - Z20	19- 8
A666 2347	Gear - Z45	19- 11
A666 3180	Timing Pulley - Z32	15- 17
A666 4170	Stepped Screw - M3x6	17- 15
A666 4210	Shaft - Exit Roller	7- 15
A680 4351	Screw - M4X17	3- 22
A681 2722	Guide Mylar - Lower Exit Guide	9- 13
A681 2742	Driven Exit Roller	7- 14
A681 4515	Bushing - 6mm	15- 32
A688 3960	Roller Holder	5- 24
A697 1125	Stepped Screw - Lever	21- 12
A697 1125	Stepped Screw - Lever	17- 6
A697 1125	Stepped Screw - Lever	15- 12
A697 1125	Stepped Screw - Lever	9- 15
A697 2101	Tension Spring	21- 16
A697 2144	Pressure Spring	13- 17
A697 2144	Pressure Spring	11- 7
A697 2144	Pressure Spring	7- 26
A697 4170	Pulley - 32T	15- 4
A697 4170	Pulley - 32T	17- 7
A859 3420	Middle Driven Roller	5- 11
A859 3420	Middle Driven Roller	11- 5
A859 3425	Spring Plate	5- 10
A859 3425	Spring Plate	11- 4

Part No.	Description	Page and Index No.
5442 4121	Spring - Oil Blade	17- 5
5442 4121	Spring - Oil Blade	21- 13
5447 2681	Snap Ring	5- 21
5447 2681	Snap Ring	7- 10

Part No.	Description	Page and Index No.
0353 0040B	Screw - M3X4	13-106
0353 0040B	Screw - M3X4	21-103
0450 3008B	Tapping Screw - M3x8	15-103
0450 4020B	Tapping Screw - 4x20	19-103
0451 3006B	Tapping Screw - M3x6	7-104
0451 3006B	Tapping Screw - M3x6	17-102
0451 3006B	Tapping Screw - M3x6	15-102
0451 3006B	Tapping Screw - M3x6	21-102
0451 3008B	Tapping Screw - M3x8	15-109
0451 3008H	Tapping Screw - M3x8	3-102
0451 3010B	Tapping Screw - M3x10	19-107
0451 3010B	Tapping Screw - M3x10	15-110
0452 3006B	Tapping Screw - M3x6	17-105
0452 3008B	Tapping Screw - M3x8	9-104
0452 3020B	Binding Self Tapping Screw - 3x20	9-103
0453 3006B	Tapping Screw - M3x6	19-102
0453 3006B	Tapping Screw - M3x6	23-103
0453 3006B	Tapping Screw - M3x6	7-106
0453 3006B	Tapping Screw - M3x6	15-107
0720 0040B	Retaining Ring - M4	21-104
0720 0040B	Retaining Ring - M4	11-102
0720 0040B	Retaining Ring - M4	17-103
0720 0040B	Retaining Ring - M4	13-103
0720 0040B	Retaining Ring - M4	15-104
0720 0040B	Retaining Ring - M4	7-103
0720 0060B	Retaining Ring - M6	19-104
0802 5276	Tapping Screw With Washer - M3x6	23-101
0802 5276	Tapping Screw With Washer - M3x6	19-101
0802 5276	Tapping Screw With Washer - M3x6	17-101
0802 5276	Tapping Screw With Washer - M3x6	21-101
0802 5276	Tapping Screw With Washer - M3x6	3-101
0802 5276	Tapping Screw With Washer - M3x6	15-101
0802 5276	Tapping Screw With Washer - M3x6	5-101
0802 5276	Tapping Screw With Washer - M3x6	7-101
0802 5276	Tapping Screw With Washer - M3x6	13-101

Part No.	Description	Page and Index No.
0802 5276	Tapping Screw With Washer - M3x6	9-101
0802 5276	Tapping Screw With Washer - M3x6	11-101
0805 0089	Retaining Ring - M4	23-102
0805 0089	Retaining Ring - M4	5-102
0805 0089	Retaining Ring - M4	13-102
0805 0089	Retaining Ring - M4	7-102
0805 0089	Retaining Ring - M4	11-103
0805 0089	Retaining Ring - M4	9-102
0805 3385	Bushing - 6mm	15-108
1105 0291	Harness Clamp - LWS-3S	19-106
1105 0310	Harness Clamp - LWS-1S	23-105
1105 0310	Harness Clamp - LWS-1S	17-107
1105 0310	Harness Clamp - LWS-1S	15-105
1105 0328	Harness Clamp - ES-0505	13-105
1105 0328	Harness Clamp - ES-0505	17-104
1105 0329	Clamp - ES-0510	5-104
1105 0334	Edge - 17	17-108
1105 0511	Harness Clamp - LWS-0306ZC	13-104
1105 0511	Harness Clamp - LWS-0306ZC	23-104
1105 0511	Harness Clamp - LWS-0306ZC	15-106
1105 0511	Harness Clamp - LWS-0306ZC	5-103
1105 0511	Harness Clamp - LWS-0306ZC	7-105
1105 0511	Harness Clamp - LWS-0306ZC	11-105
1105 0511	Harness Clamp - LWS-0306ZC	19-105
1105 0511	Harness Clamp - LWS-0306ZC	17-106
1105 0511	Harness Clamp - LWS-0306ZC	9-105
1204 2540	Micro Switch - AM50650C3	9-106
1204 2541	Interlock Switch	11-104
1607 0622	Ferrite Core - TFC16816	17-109

Part No.	Description	Page and Index No.