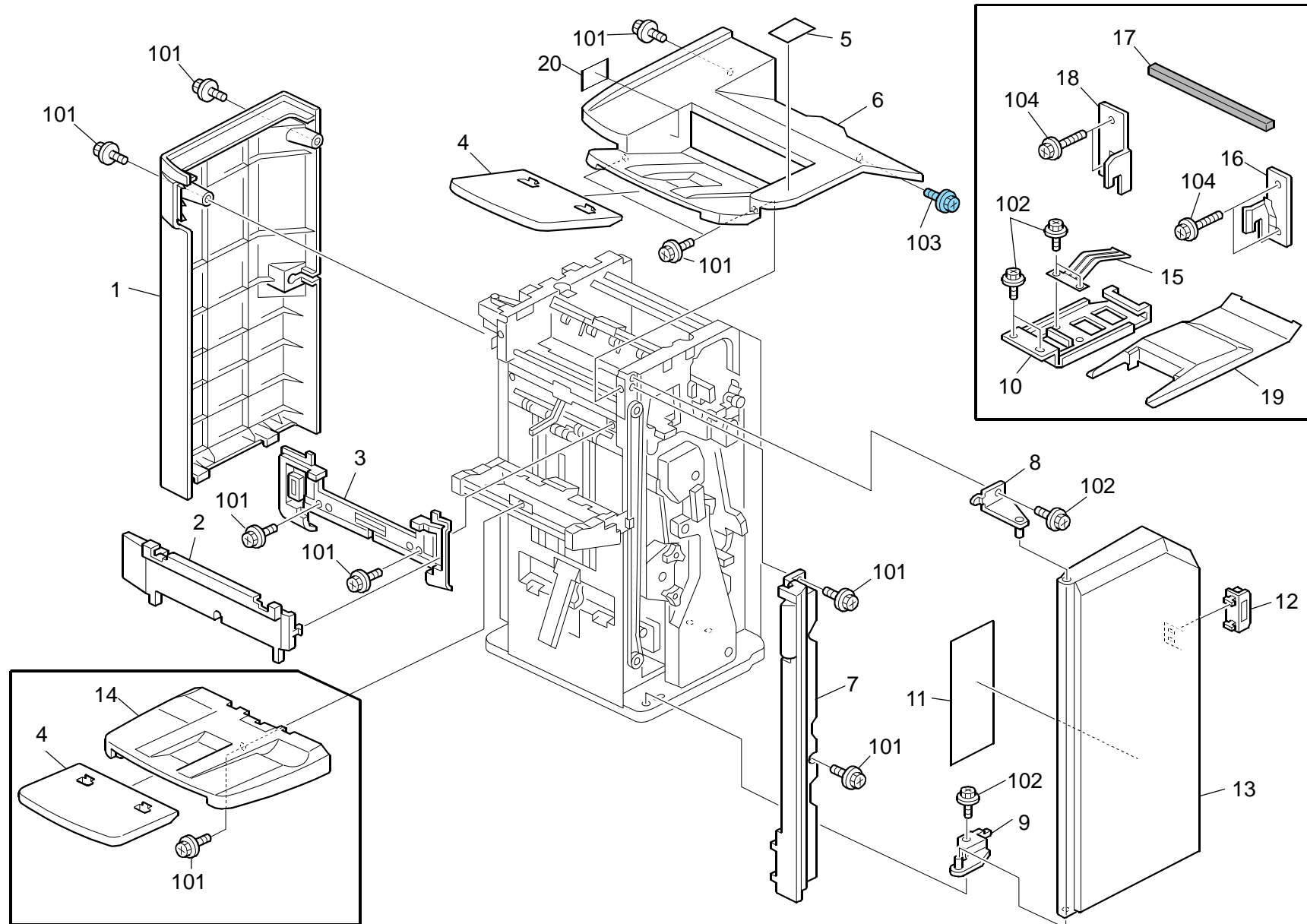


**FINISHER SR3030 B805
PARTS LOCATION AND LIST**

This section instructs you as to the numbers and names of parts on this machine

1.Exterior (B805)

Rev. 03/032011



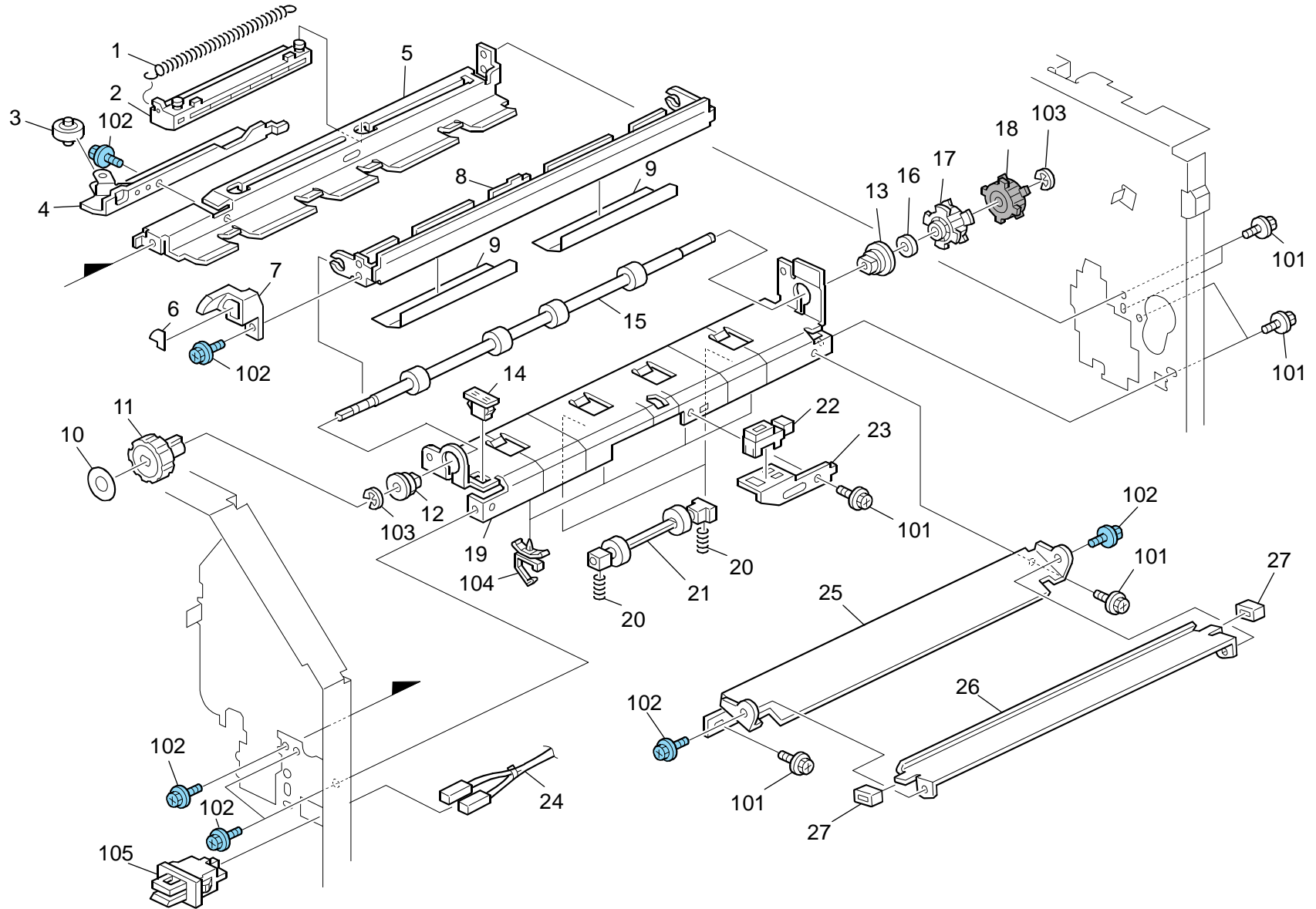
1.Exterior (B805)

Rev. 12/09/2011

Index No.	Part No.	Description	Q'ty Per Assembly
1	B804 6175	Cover: Rear	1
2	B804 6156	Cover: Jogger	1
3	B804 6151	Cover: Left Upper	1
4	B700 3420	Tray: Auxiliary	2
5	B468 7812	Caution Decal - Tray Fall	1
6	B804 6135	Cover: Upper	1
7	B804 6145	Cover: Left: Front	1
8	B700 6125	Hinge: Door: Upper: Ass'y	1
9	B700 6120	Hinge: Door: Lower: Ass'y	1
10	B804 1164	Bracket: Ground Plate: Coupling	1
11	B805 7850	Decal: Misfeed Removal: Bind: No	1
12	AG07 0512	Magnet Catch: Ass'y	1
13	B804 6115	Cover: Front	1
14	B804 3417	Tray	1
15	B408 1428	Ground Plate: Coupling	1
16	B700 1198	Coupling Bracket - Front	1
17	B793 6201	Spacer Cushion - 20mm	1
18	B700 1191	Bracket: Coupling Ass'y	1
19	B700 6141	Proof Tray: Auxiliary	1
20	B804 7813	Decal: Caution: Proof Tray: Paper Exit: Sub-Unit [TSB#005]	1

Index No.	Part No.	Description	Q'ty Per Assembly
101	0451 3008N	Tapping Screw - M3x8	
102	0451 3006N	Tapping Screw - 3x6	
103	0454 3008Q	Tapping Screw: 3x8	
104	0451 4014N	Tapping Screw: M4x14	

2.Paper Transfer (B805)



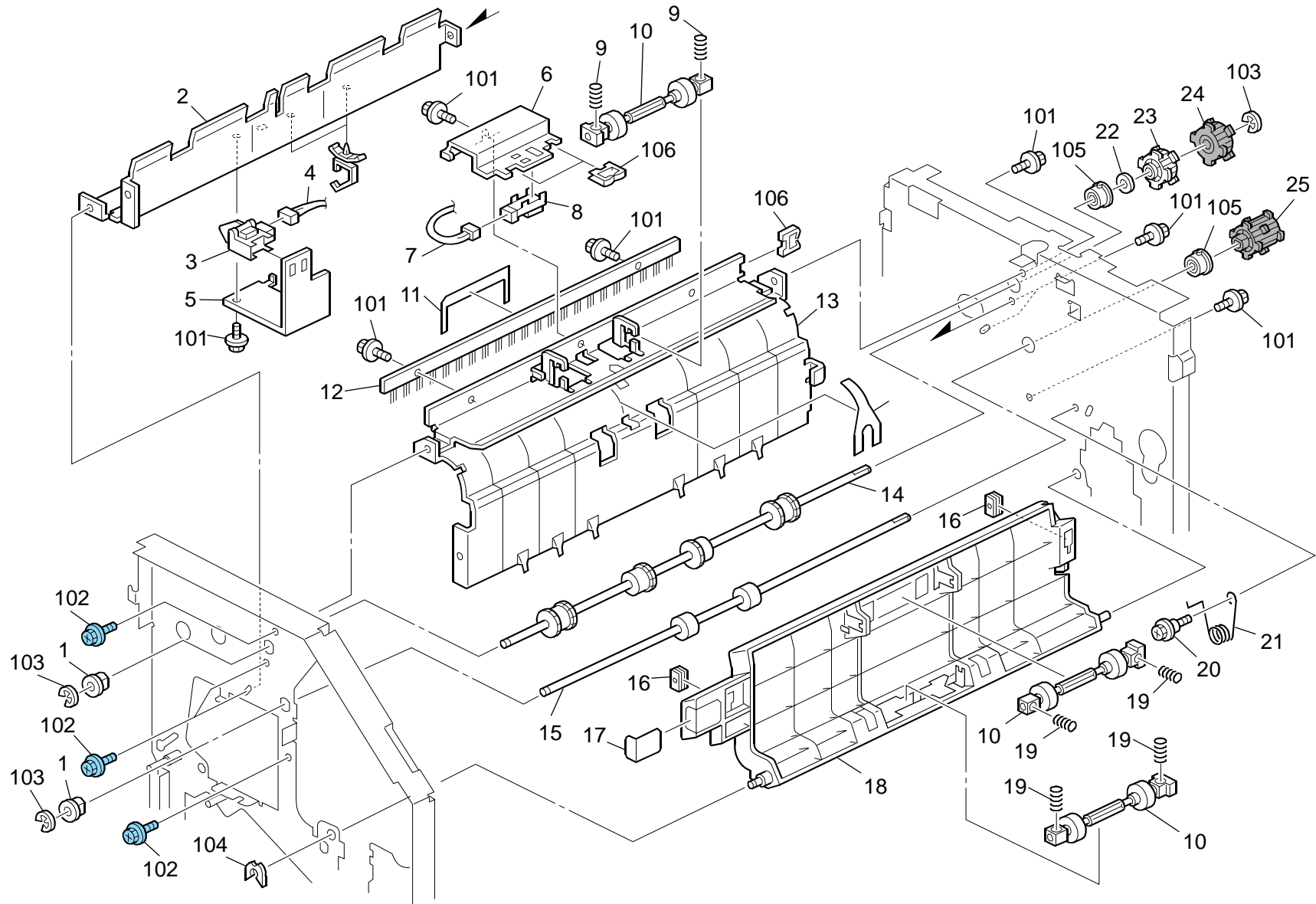
2.Paper Transfer (B805)

Rev. 11/4/2011

Index No.	Part No.	Description	Q'ty Per Assembly
1	B700 2200	Tension Spring Guide Plate Move	1
2	B700 2215	Guide Plate Upper Move	1
3	A666 4270	Roller Driven Entrance	1
4	B804 2205	Guide Plate Upper	1
5	B804 2210	Guide Plate Transport Entrance Upper	1
6	B700 7861	Decal: Knob: Entrance: R1	1
7	B700 2125	Knob Guide Plate Entrance	1
8	B804 2121	Guide Plate Entrance Upper [TSB#001]	1
9	B700 2126	Sheet: Entrance	2
10	B700 7862	Decal: Knob: Entrance: R2	1
11	B408 2281	Knob - Transfer Roller	1
12	B700 2135	Bushing Transport Roller Front	1
13	C309 2140	Plain Shaft Bearing Transport Roller: Ent. Rear	1
14	AG07 0513	Magnet Catch	2
15	B804 2131	Transport Roller Entrance Upper	1
16	A697 1606	Spacer - 6x12x2.7mm	2
17	AB03 0374	Timing Pulley - 20Z	2
18	B700 1605	Timing Pulley: 26T	2
19	B804 2110	Guide Plate: Entrance: Lower	1
20	B700 2119	Compression Spring: Entrance: Driven	4
21	AF02 2148	Roller: Driven L=125	2
22	GW01 0007	Photo Reflection Sensor: Exit	4
23	B700 2145	Bracket: Entrance Sensor	1
24	B700 5301	Harness: Safety Switch	1
25	B804 2106	Guide Plate: Connecting: Lower [TSB#001]	1
26	B804 2101	Guide Plate: Connecting: Upper [TSB#001]	1
27	B804 2729	Cushion: Arm	3

Index No.	Part No.	Description	Q'ty Per Assembly
101	0451 3006N	Tapping Screw - 3x6	
102	0454 3006Q	Tapping Screw - M3x6	
103	0720 0040E	Retaining Ring - M4	
104	1105 0516	Clamp	
105	1204 2844	Switch: FA1L-CJAH	

3.Shift Transfer Section 1 (B805)



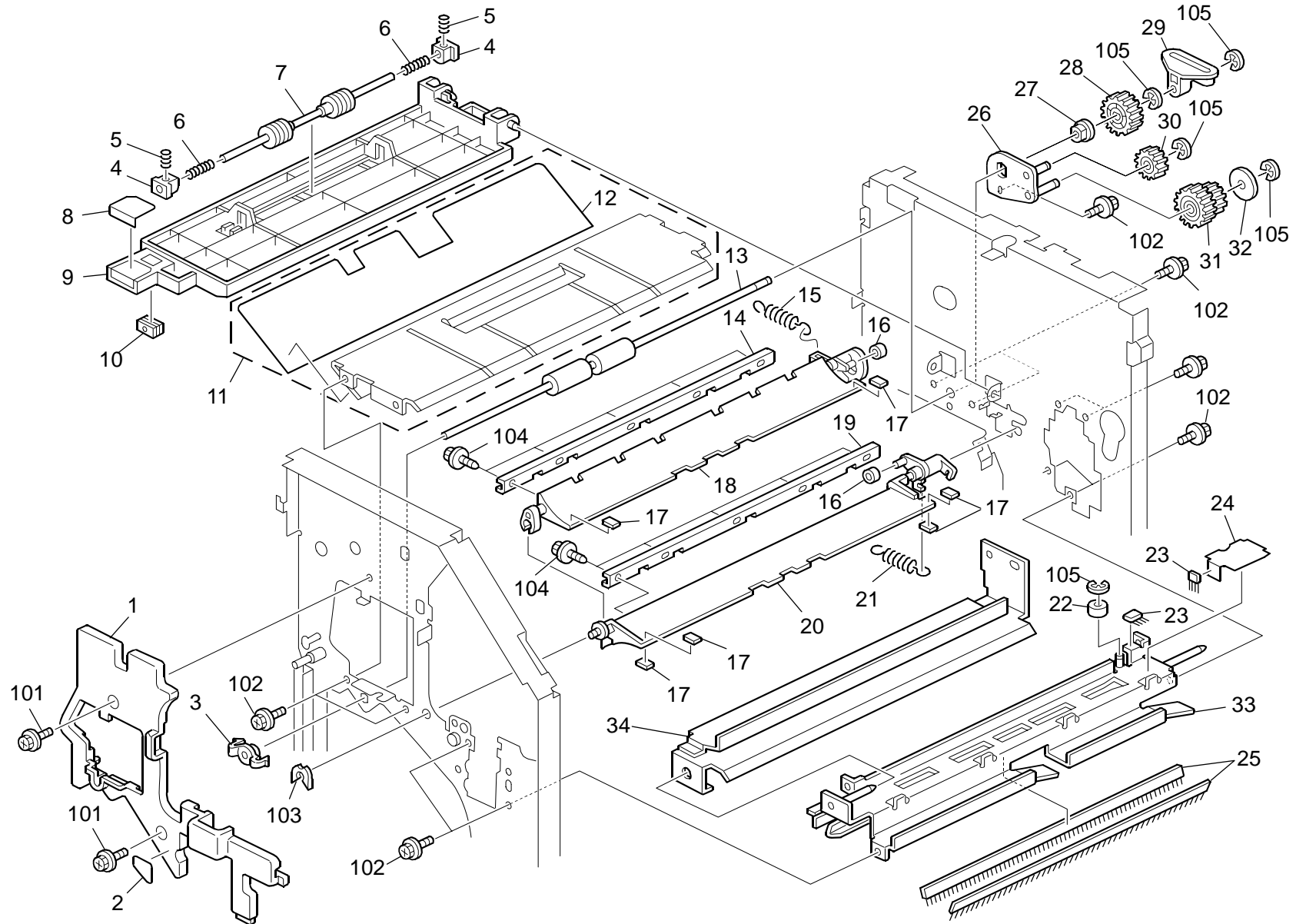
3.Shift Transfer Section 1 (B805)

Rev. 06/29/2010

Index No.	Part No.	Description	Q'ty Per Assembly
1	AA08 2101	Bushing - 6x10x6	16
2	B700 2330	Guide Plate: Exit: Proof Tray	1
3	AW02 0172	Photo Interrupter: Overflow: CT	1
4	B700 5365	Harness: Connecting: Sensor	1
5	B700 2331	Bracket: Photo Interrupter: Overflow	1
6	B700 2320	Bracket: Sensor: Proof Tray	1
7	B700 5366	Harness: Connecting: Sensor	1
8	GW01 0007	Photo Reflection Sensor: Exit	4
9	A697 2187	Pressure Spring - 14.1mm	2
10	AF02 2147	Driven Roller	7
11	B302 2216	Exit Guide - Upper Exit Guide	1
12	B700 2317	Discharge Brush	1
13	B700 2310	Guide Plate: Proof Tray: Ass'y	1
14	B700 2300	Exit Roller: Proof Tray	1
15	B700 2325	Transport Roller: Long	2
16	AG07 0514	Magnet Catch	5
17	B700 7863	Decal: Proof Tray: R3	1
18	B700 2315	Guide Plate: Proof Tray	1
19	AA06 3529	Pressure Spring - 14.5mm	6
20	D522 4906	Screw	12
21	B700 2316	Torsion Spring	1
22	A697 1606	Spacer - 6x12x2.7mm	2
23	AB03 0374	Timing Pulley - 20Z	2
24	B700 1605	Timing Pulley: 26T	2
25	B700 1645	Timing Pulley: 20T	2

Index No.	Part No.	Description	Q'ty Per Assembly
101	0451 3006N	Tapping Screw - 3x6	
102	0454 3006Q	Tapping Screw - M3x6	
103	0720 0040E	Retaining Ring - M4	
104	0805 0089	Retaining Ring - M4	
105	0805 3537	Ball Bearing: Dia6xdia13x5: Dia14.5	
106	1105 0328	Harness Clamp - ES-0505	

4.Shift Transfer Section 2 (B805)



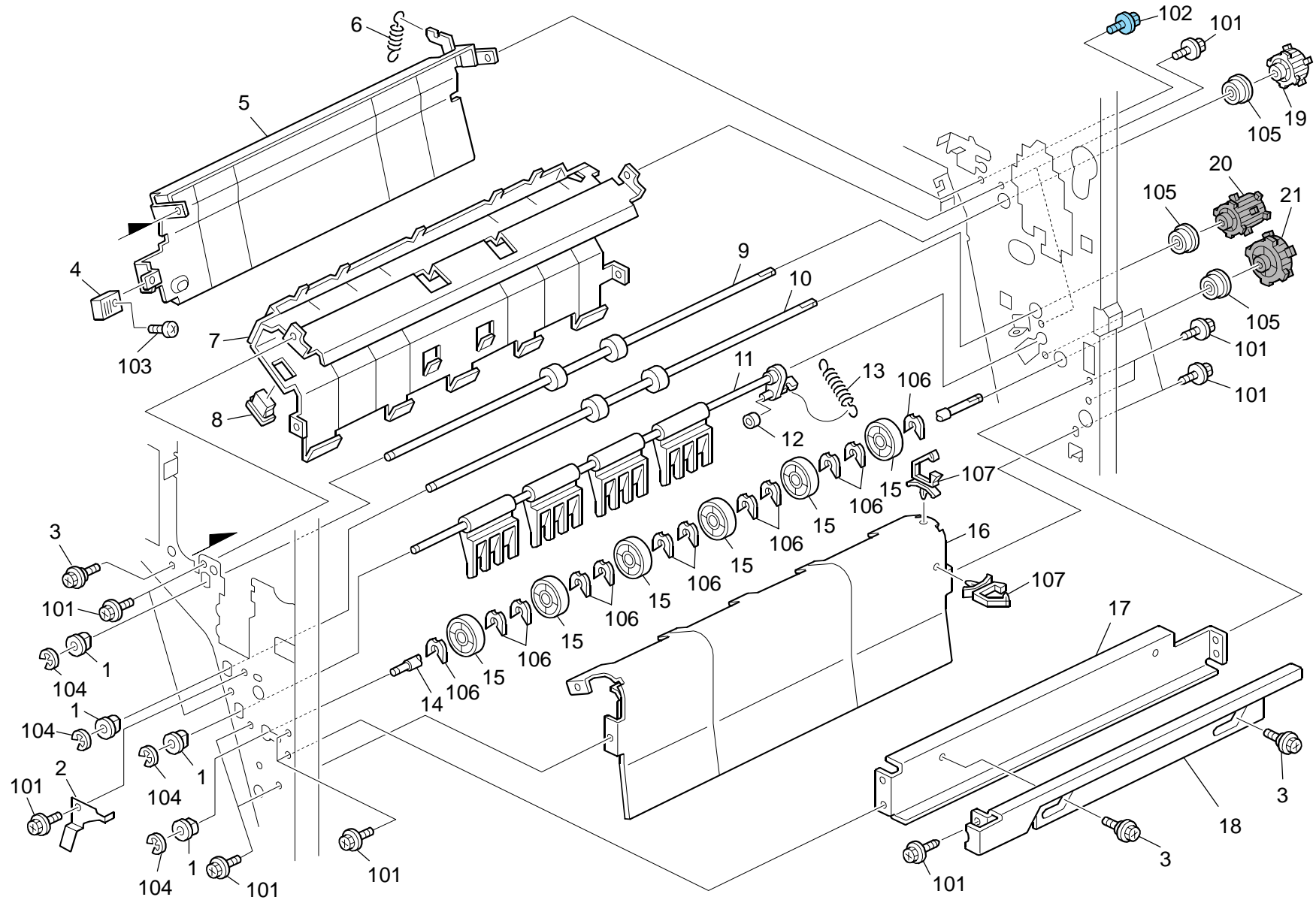
4.Shift Transfer Section 2 (B805)

Rev. 06/05/2012

Index No.	Part No.	Description	Q'ty Per Assembly
1	B700 6102	Inner Cover: Upper	1
2	B700 7867	Decal Turn: Open And Close: R7	1
3	B408 2312	Bushing - Roller Slide	1
4	B408 2175	Bushing - Roller Slide	2
5	AA06 3529	Pressure Spring - 14.5mm	6
6	B408 2174	Spring	2
7	B408 2173	Slide Roller	1
8	B700 7864	Decal: Shift: R4	1
9	B804 2245	Guide Plate: Horizontal: Shift	1
10	AG07 0514	Magnet Catch	5
11	B804 2037	Guide Plate Horizontal Lower	1
12	B700 2241	Sheet Guide Staple	1
13	B700 2220	Transport Roller Shift	1
14	B700 2525	Supporting Plate Gate Pawl	1
15	B700 2545	Tension Spring	1
16	A458 2251	Cushion - Bin Solenoid Lever	7
17	B700 2520	Cushion Gate Pawl	10
18	B700 2505	Gate Pawl Proof Tray	1
19	B700 2530	Supporting Plate Gate Pawl Staple	1
20	B700 2500	Gate Pawl Staple	1
21	B700 2540	Tension Spring	1
22	5201 2722	Bushing - M6x5	1
23	B804 1180	Discharge Brush Punch Unit	2
24	B700 1183	Sheet Guide Punch	1
25	B804 1182	Discharge Brush Punch Transport	2
26	B700 1660	Bracket: Gear: Middle: Ass'y	1
27	AA08 2101	Bushing - 6x10x6	16
28	B700 2225	Gear: 30Z	1
29	B793 2321	Slide Roller Link	1
30	B700 1665	Gear: 25Z	1
31	B700 1650	Gear: 30Z	1
32	B478 3569	Spacer	3
33	B700 1170	Stay: Punch Unit: Slide: Ass'y	1
34	B804 2235	Guide Plate: Punch Unit	1

Index No.	Part No.	Description	Q'ty Per Assembly
101	0451 3008N	Tapping Screw - M3x8	
102	0451 3006N	Tapping Screw - 3x6	
103	0805 0089	Retaining Ring - M4	
104	0450 3008N	Tapping Screw - M3x8	
105	0720 0040E	Retaining Ring - M4	

5.Shift Transfer Section 3 (B805)



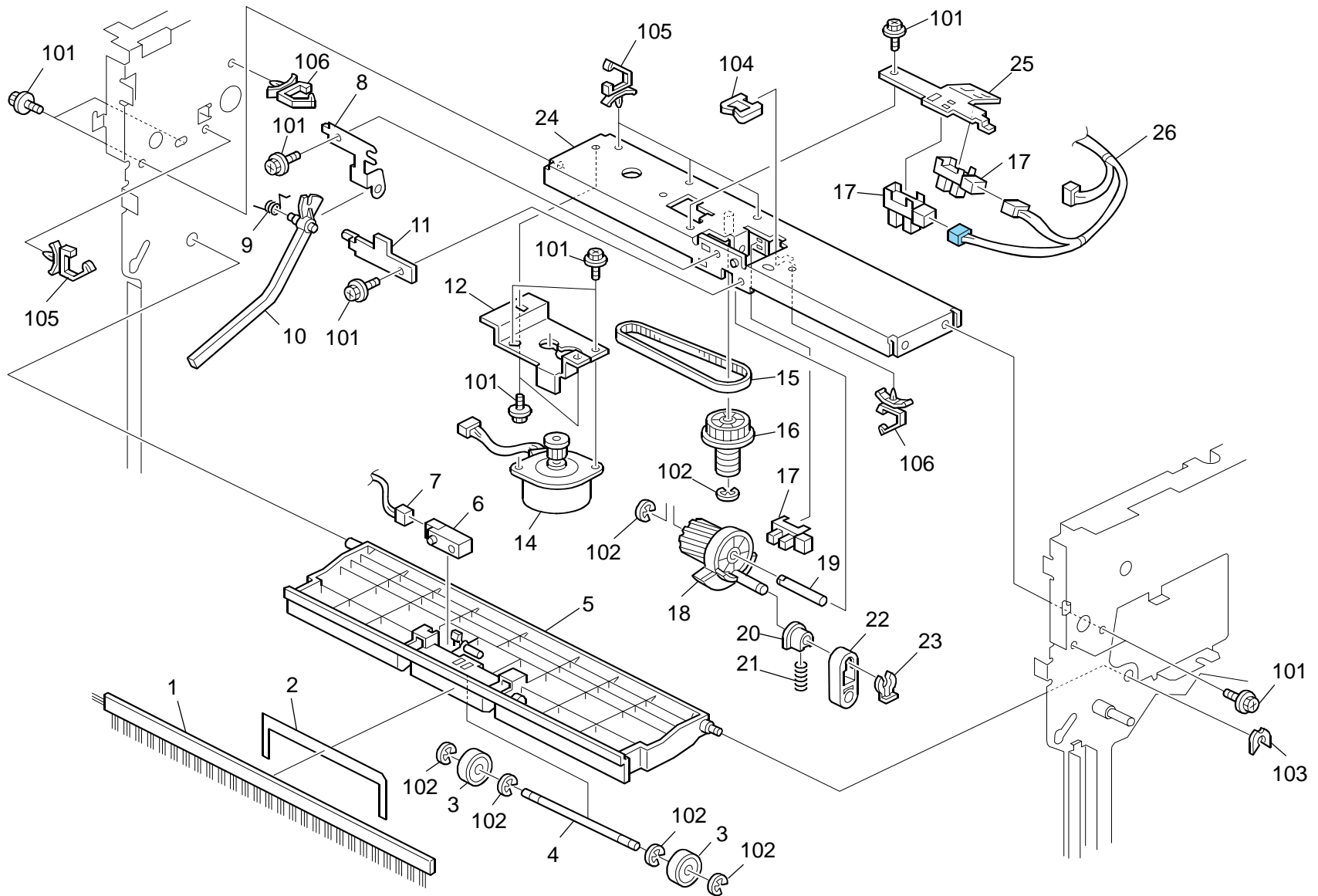
5.Shift Transfer Section 3 (B805)

Rev. 06/29/2010

Index No.	Part No.	Description	Q'ty Per Assembly
1	AA08 2101	Bushing - 6x10x6	16
2	B700 1185	Ground Plate: Toner Hopper: Punch	1
3	D522 4906	Screw	12
4	A353 2243	Lever Knob	1
5	B700 2421	Guide Plate Turn: Open and Close	1
6	B700 2422	Tension Spring Turn: Open and Close	1
7	B700 2411	Guide Plate Turn: Ass'y	1
8	AG07 0513	Magnet Catch	2
9	B700 2305	Transport Roller Short	1
10	B700 2325	Transport Roller Long	2
11	B700 2431	Polarization Pawl Duplex Stack	1
12	A458 2251	Cushion - Bin Solenoid Lever	7
13	B700 2432	Tension Spring	1
14	B700 2452	Shaft: Turn: Guide	1
15	B700 2453	Guide: Turn	6
16	B804 2441	Guide Plate Duplex Stack <i>[TSB#001]</i>	1
17	B700 1151	Stay Coupling	1
18	A697 1128	Joint Lever	1
19	B352 1607	Timing Pulley - T20-S3M	5
20	B700 1645	Timing Pulley: 20T	2
21	B700 1701	Timing Pulley: 40T	1

Index No.	Part No.	Description	Q'ty Per Assembly
101	0451 3006N	Tapping Screw - 3x6	
102	0454 3008Q	Tapping Screw: 3x8	
103	0353 0040N	Screw - M3X4	
104	0720 0040E	Retaining Ring - M4	
105	0805 3537	Ball Bearing: Dia6xdia13x5: Dia14.5	
106	0805 0088	Retaining Ring - M6	
107	1105 0516	Clamp	

6.Paper Exit 1 (B805)

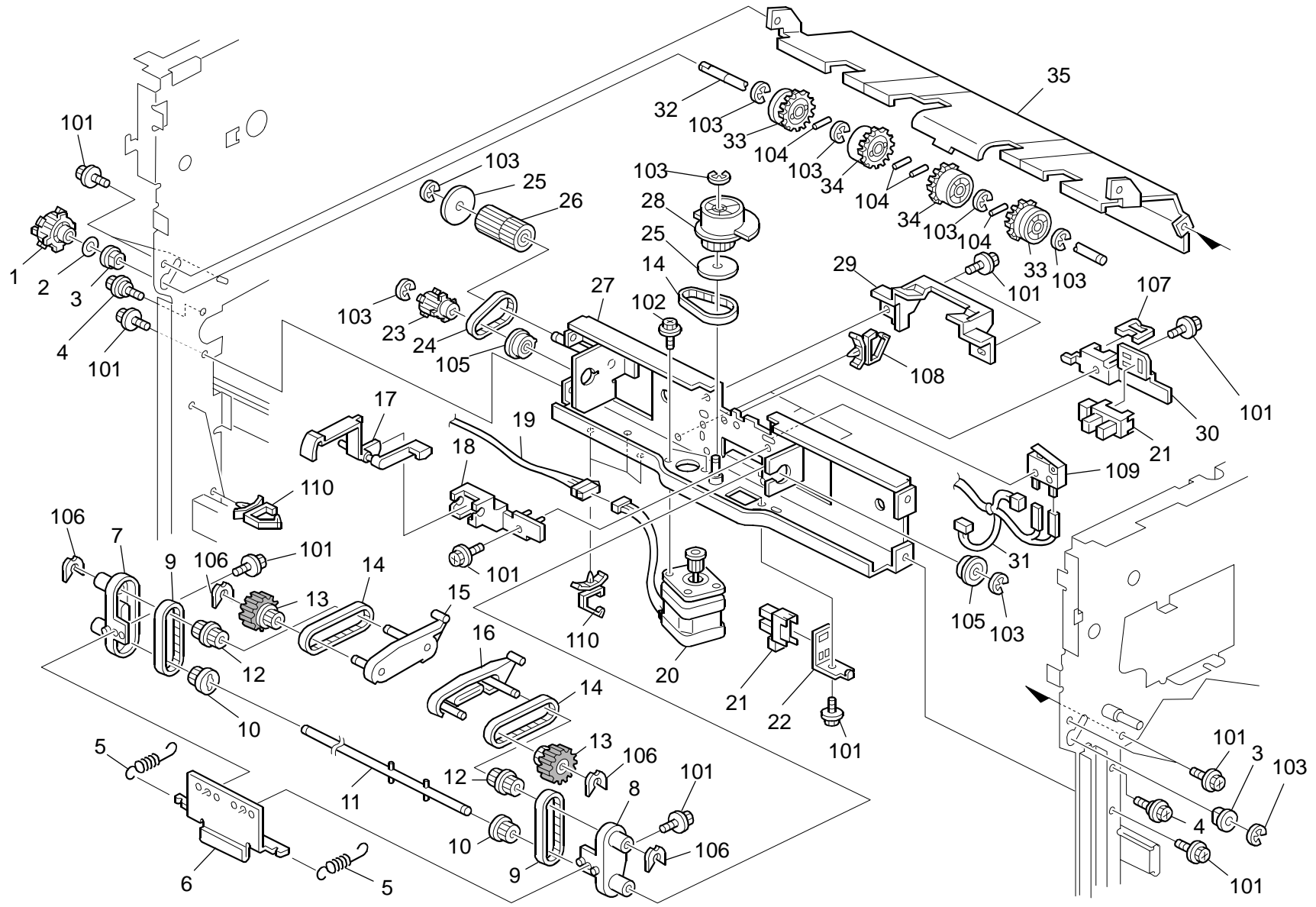


6.Paper Exit 1 (B805)

Index No.	Part No.	Description	Q'ty Per Assembly
1	B700 3156	Discharge Brush	1
2	G565 2135	Exit Plate	1
3	A681 2742	Driven Exit Roller	2
4	B700 3157	Shaft Exit Roller Driven	1
5	B700 3155	Guide Plate Exit Upper	1
6	AW01 0109	Photo Reflection Sensor:Ps117ed1	1
7	B700 5373	Harness Connecting Sensor	1
8	A353 3172	Actuator Bracket	1
9	A353 3173	Pressure Spring	1
10	B302 1145	Actuator - Paper Height Sensor	1
11	B700 3145	Bracket: Feeler: Plate	1
12	B700 3105	Bracket: Stepper Motor: Guide Plate	1
13	B700 5311	Harness: Exit: Open And Close: Motor	1
14	B700 5805	Stepper Motor:Pm:S2m:T15:Ass'y	1
15	B700 3125	Timing Belt:B40S2M232	1
16	B700 3115	Worm Gear:37t	1
17	AW02 0141	Photo Interrupter	9
18	B700 3120	Worm Wheel:20z	1
19	B408 2833	Shaft - Worm Wheel	1
20	B700 3130	Bushing: Joint	1
21	B700 3140	Compression Spring	1
22	B700 3135	Joint: Guide Plate: Open And Close	1
23	5447 2681	Snap Ring	4
24	B700 3100	Stay: Drive: Guide Plate: Ass'y	1
25	B700 3150	Bracket: Surface Of Paper Sensor	1
26	B700 5361	Harness: Connecting: Sensor:Exit	1

Index No.	Part No.	Description	Q'ty Per Assembly
101	0451 3006N	Tapping Screw - 3x6	
102	0720 0040E	Retaining Ring - M4	
103	0805 0089	Retaining Ring - M4	
104	1105 0328	Harness Clamp - ES-0505	
105	1105 0516	Clamp	
106	1105 0623	Clamp - LBWS-0206S-V0	

7.Paper Exit 2 (B805)



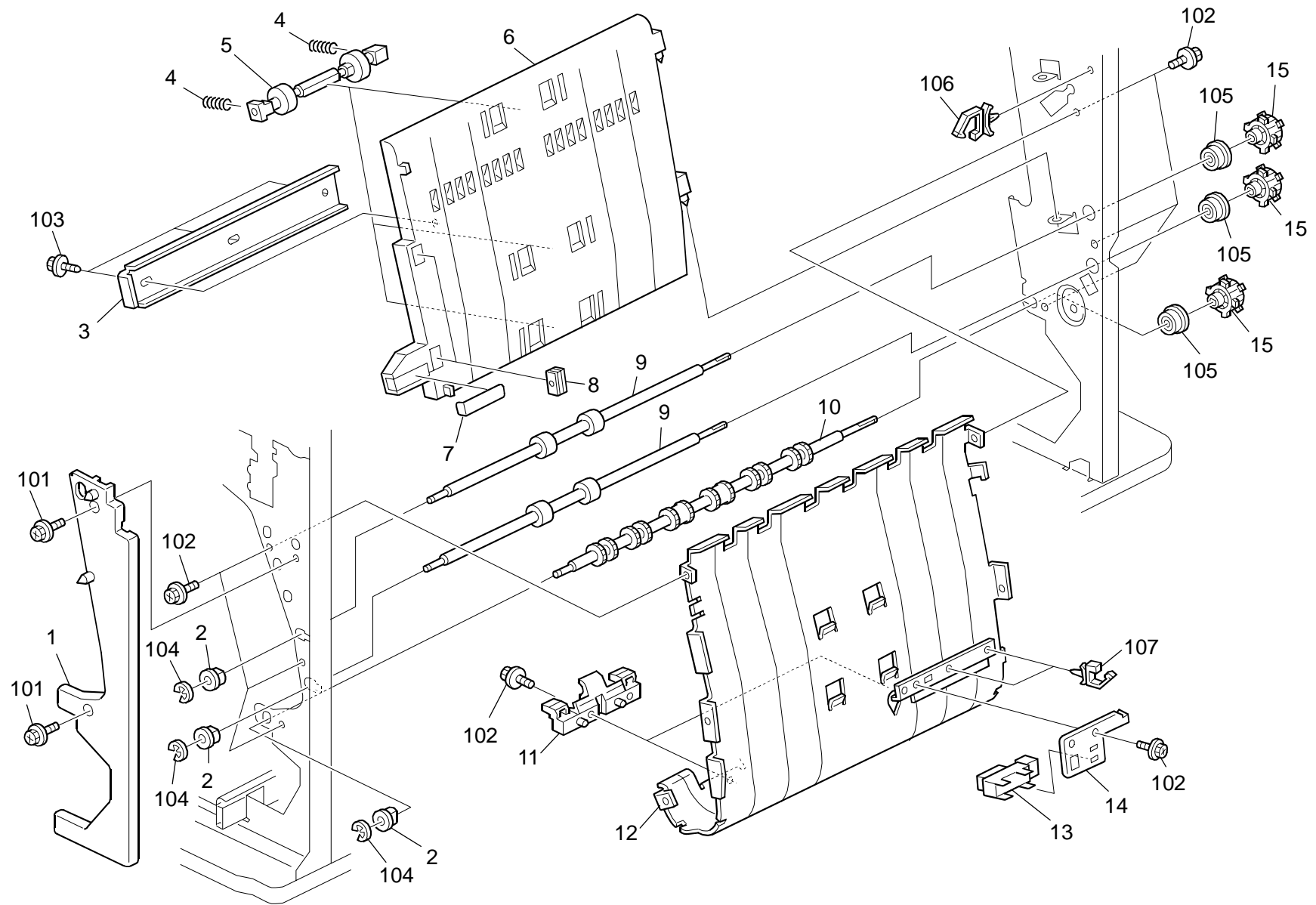
7.Paper Exit 2 (B805)

Rev. 12/07/2010

Index No.	Part No.	Description	Q'ty Per Assembly
1	B352 1607	Timing Pulley - T20-S3M	5
2	H072 2220	Spacer - M6x10	1
3	AA08 2101	Bushing - 6x10x6	16
4	AA14 3823	Tapping Screw	2
5	B700 3545	Tension Spring	2
6	B700 3540	Bracket: Coupling: Lever: Drive	1
7	B478 3507	Lever: Drive: Gathering Roller: Back	1
8	B478 3506	Lever: Drive: Gathering Roller: Front	1
9	B478 3504	Timing Belt: B40S2M100	2
10	B478 3501	Pulley: Drive: Roller: Sponge	2
11	B700 3515	Shaft: Gathering Roller: Drive: Ass'y	1
12	B478 3502	Pulley: Driven: Roller: Sponge	2
13	B478 3503	Gathering Roller: Sponge	2
14	B700 3535	Timing Belt: B40S2M116	3
15	B700 3530	Lever: Driven: Gathering Roller: Rear	1
16	B700 3525	Lever: Driven: Gathering Roller: Front	1
17	B700 3555	Feeler: Paper Sensor	10
18	B700 3550	Bracket: Feeler: Paper Sensor	1
19	B700 5415	Harness: Drive: Swivel: Motor	1
20	B700 5807	Stepper Motor: Mm42: S2m: T15: Ass'y	1
21	AW02 0141	Photo Interrupter	9
22	B700 3565	Bracket: Home Position Sensor	1
23	B700 3520	Timing Pulley: 18T	1
24	B700 3504	Timing Belt: B40S2M92	1
25	B478 3569	Spacer	3
26	B700 3505	Timing Pulley: 20/30T	1
27	B804 3510	Stay: Uniform: Ass'y [TSB#004]	1
28	B700 3575	Cam: Lever: Drive	1
29	B700 3570	Cam: Gathering Roller	1
30	B700 3560	Bracket: Sensor: Paper Sensor	1
31	B804 5404	Harness: Surface of Paper Sensor [TSB#004]	1
32	B700 3176	Shaft: Exit Roller	1
33	B352 2405	Outer Exit Roller	2
34	B352 2400	Exit Roller	2
35	B804 3161	Guide Plate: Exit: Lower	1

Index No.	Part No.	Description	Q'ty Per Assembly
101	0451 3006N	Tapping Screw - 3x6	
102	0451 4006N	Tapping Screw - 4x6	
103	0720 0040E	Retaining Ring - M4	
104	0632 0100G	Pin - 2x10mm	
105	0805 3537	Ball Bearing: Dia6xdia13x5: Dia14.5	
106	0805 0089	Retaining Ring - M4	
107	1105 0328	Harness Clamp - ES-0505	
108	1105 0623	Clamp - LBWS-0206S-V0	
109	1204 2520	Switch: DE2L-FJ20	
110	1105 0487	Harness Clamp	

8.Staple Transfer Section 1 (B805)



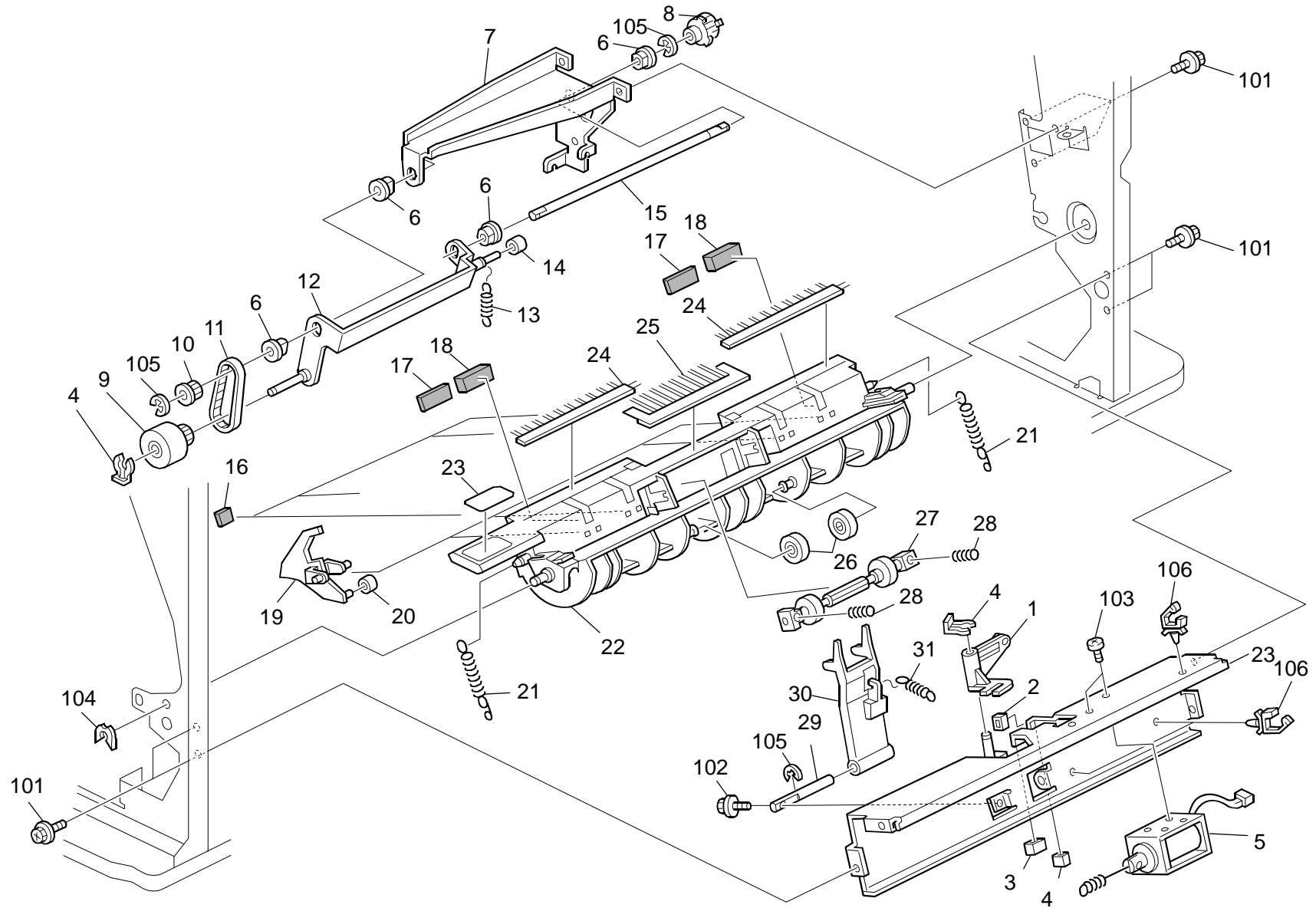
8.Staple Transfer Section 1 (B805)

Rev. 12/7/2012

Index No.	Part No.	Description	Q'ty Per Assembly
1	B700 6106	Inner Cover: Lower	1
2	AA08 2101	Bushing - 6x10x6	16
3	A612 2435	Support Plate	1
4	B700 2476	Compression Spring: Exit: Driven	8
5	AF02 2147	Driven Roller	7
6	B700 2471	Guide Plate: Lengthwise	1
7	B700 7865	Decal: Vertical Transport: R5	1
8	AG07 0514	Magnet Catch	5
9	B700 2461	Transport Roller: Duplex Stack: Lower	2
10	B804 2491	Exit Roller: Stapler Tray	1
11	B700 2486	Guide Plate: Exit: Stapler Tray	2
12	B700 2481	Guide Plate: Lengthwise Ass'y	1
13	GW01 0007	Photo Reflection Sensor: Exit	4
14	B700 2485	Bracket: Sensor: Duplex Tray	1
15	B352 1607	Timing Pulley - T20-S3M	5

Index No.	Part No.	Description	Q'ty Per Assembly
101	0451 3008N	Tapping Screw - M3x8	
102	0451 3006N	Tapping Screw - 3x6	
103	0450 3008N	Tapping Screw - M3x8	
104	0720 0040E	Retaining Ring - M4	
105	0805 3537	Ball Bearing: Dia6xdia13x5: Dia14.5	
106	1105 0516	Clamp	
107	1105 0623	Clamp - LBWS-0206S-V0	

9.Staple Transfer Section 2 (B805)



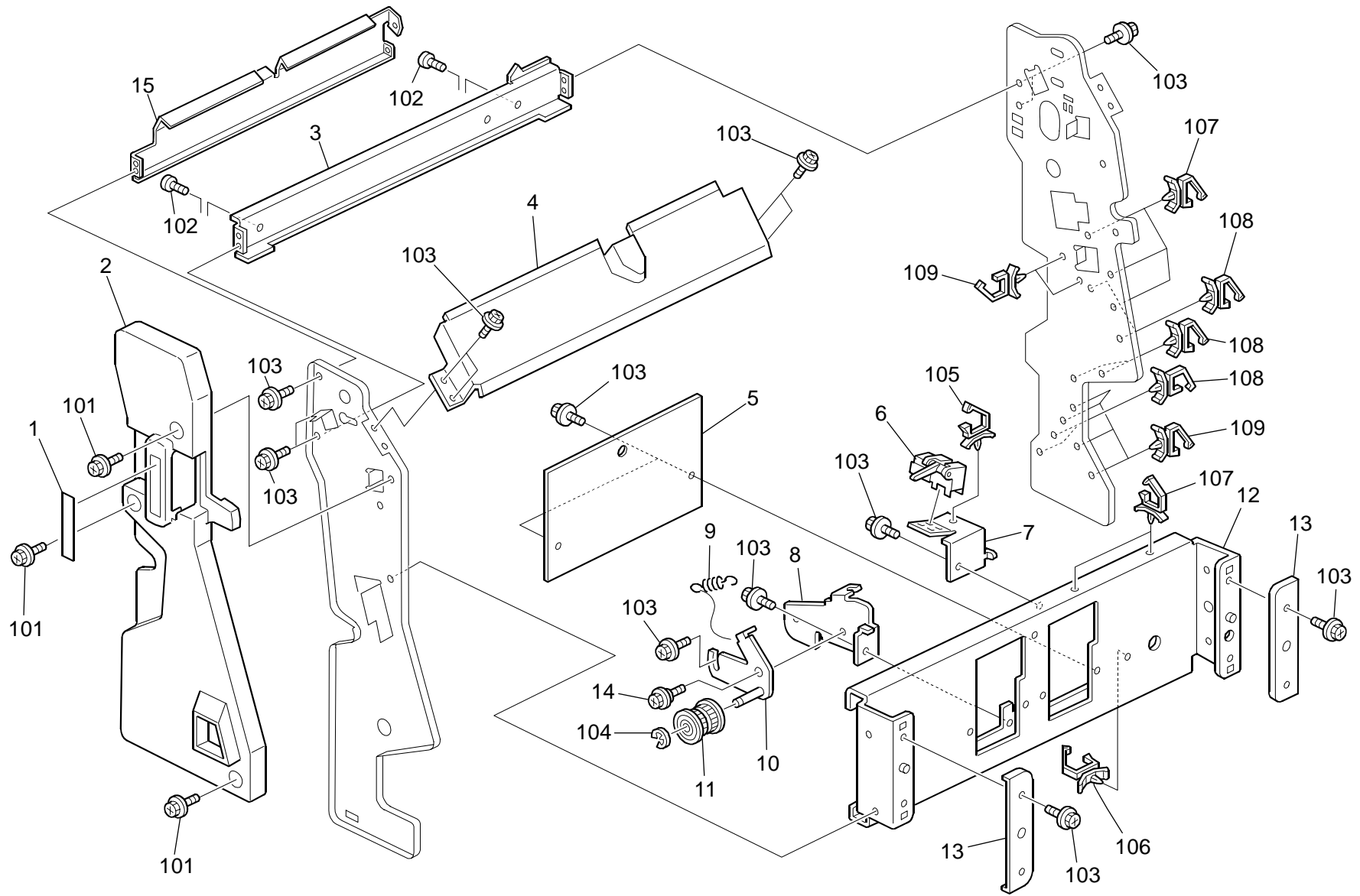
9.Staple Transfer Section 2 (B805)

Rev. 02/13/2012

Index No.	Part No.	Description	Q'ty Per Assembly
1	B700 2725	Arm: Solenoid: Swivel	1
2	B804 2147	Cushion: Link: Arm	1
3	B804 2729	Cushion: Arm	3
4	B804 2731	Sound Put Out Rubber:DC Solenoid:Gate Pawl	3
5	B700 2731	DC Solenoid: Swivel: Ass'y	1
6	AA08 2058	Bushing - 6x10x9mm	4
7	B700 2611	Bracket: Gathering Roller	1
8	B352 1600	Timing Pulley - S2M T24	1
9	B408 2435	Gathering Roller: Ass'y	1
10	B408 2422	Pulley - T16	1
11	B700 2649	Timing Belt: 40S2M144	1
12	B700 2621	Arm: Gathering Roller: Ass'y	1
13	AA06 0557	Positioning Roller Spring	1
14	AA16 1099	Lever Cushion	1
15	B700 2612	Shaft: Gathering Roller: Drive	1
16	B700 2520	Cushion: Gate Pawl	10
17	B477 2333	Motor Bracket Cushion	2
18	B804 2450	Cushion: Guide Plate: Lower: Open and Close	2
		[TSB#001]	
19	B408 2113	Guide - Trailing Edge	4
20	A458 2251	Cushion - Bin Solenoid Lever	7
21	B700 2478	Tension Spring	2
22	B700 2473	Guide Plate: Lower: Open and Close	1
23	B700 7866	Decal: Exit: R6	1
24	B804 2474	Discharge Brush: Exit	2
25	B804 2477	Discharge Brush: Exit: Middle	1
26	B468 2832	Driven Exit Roller	2
27	B804 2147	Roller: Driven: 99 mm	7
28	B700 2476	Compression Spring: Exit: Driven	8
29	B700 2722	Shaft: Contact Point: Swivel	1
30	B804 2721	Guide: Trailing Edge	1
31	B700 2723	Tension Spring: Release: Swivel	1
32	B700 2711	Stay: Swivel: Ass'y	1

Index No.	Part No.	Description	Q'ty Per Assembly
101	0451 3006N	Tapping Screw - 3x6	
102	0451 3008N	Tapping Screw - M3x8	
103	0353 0040N	Screw - M3X4	
104	0805 0089	Retaining Ring - M4	
105	0720 0040E	Retaining Ring - M4	
106	1105 0623	Clamp - LBWS-0206S-V0	

10.Staple Tray 1 (B805)



10.Staple Tray 1 (B805)

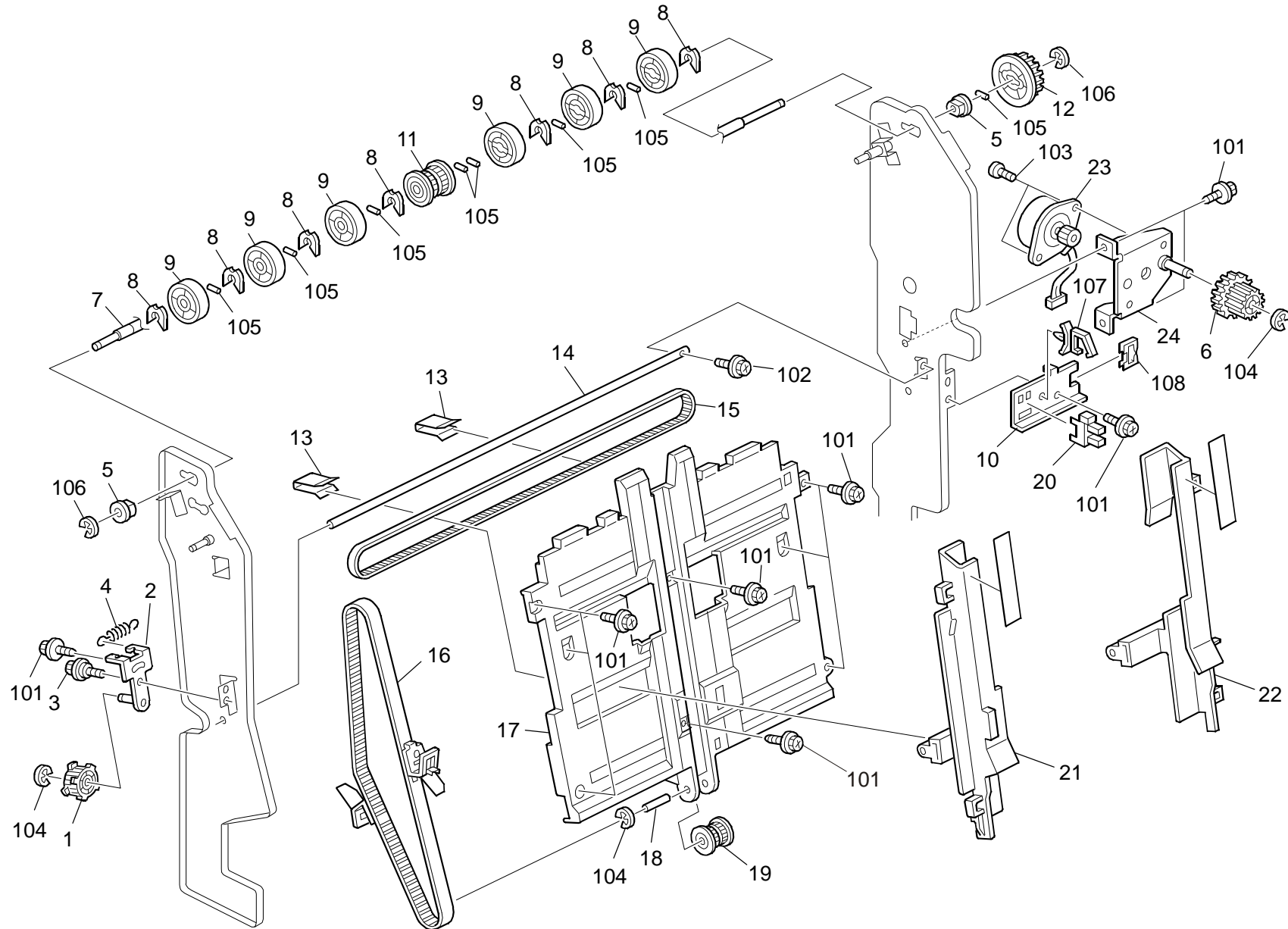
Rev. 06/05/2012

Index No.	Part No.	Description	Q'ty Per Assembly
1	B701 7888	Decal: Stapler Tray: R8	1
2	B700 4541	Inner Cover: Stapler Unit	1
3	B700 4159	Stay: Upper: Slide Rail	1
4	B805 4500	Guide Plate: Exit	1
5	B805 4162	Cover: Stay: Middle: Behind	1
6	AW02 0166	Photo Interrupter: Paper Feed Sensor	1
7	B700 4255	Bracket: Home Position Sensor: Pawl	1
8	B700 4265	Bracket: Tightener: Exit: Fix	1
9	B700 4276	Tension Spring	1
10	B700 4267	Bracket: Tightener Exit: Ass'y	1
11	A666 3180	Timing Pulley - Z32	1
12	B700 4161	Stay: Middle: Stapler Tray	1
13	B701 4161	Cover: Stay: Middle	2
14	D522 4906	Screw: Contact Point	1
15	B805 4551	Guide Plate: Exit: Small	1

Index No.	Part No.	Description	Q'ty Per Assembly
101	0451 3008N	Tapping Screw - M3x8	
102	0453 3006N	Tapping Screw - M3x6	
103	0451 3006N	Tapping Screw - 3x6	
104	0720 0040E	Retaining Ring - M4	
105	1105 0623	Clamp - LBWS-0206S-V0	
106	1105 0489	Harness Clamp - LWS 1316	
107	1105 0487	Harness Clamp	
108	1105 0488	Harness Clamp	
109	1105 0516	Clamp	

11.Staple Tray 2 (B805)

Rev. 05/06/2010



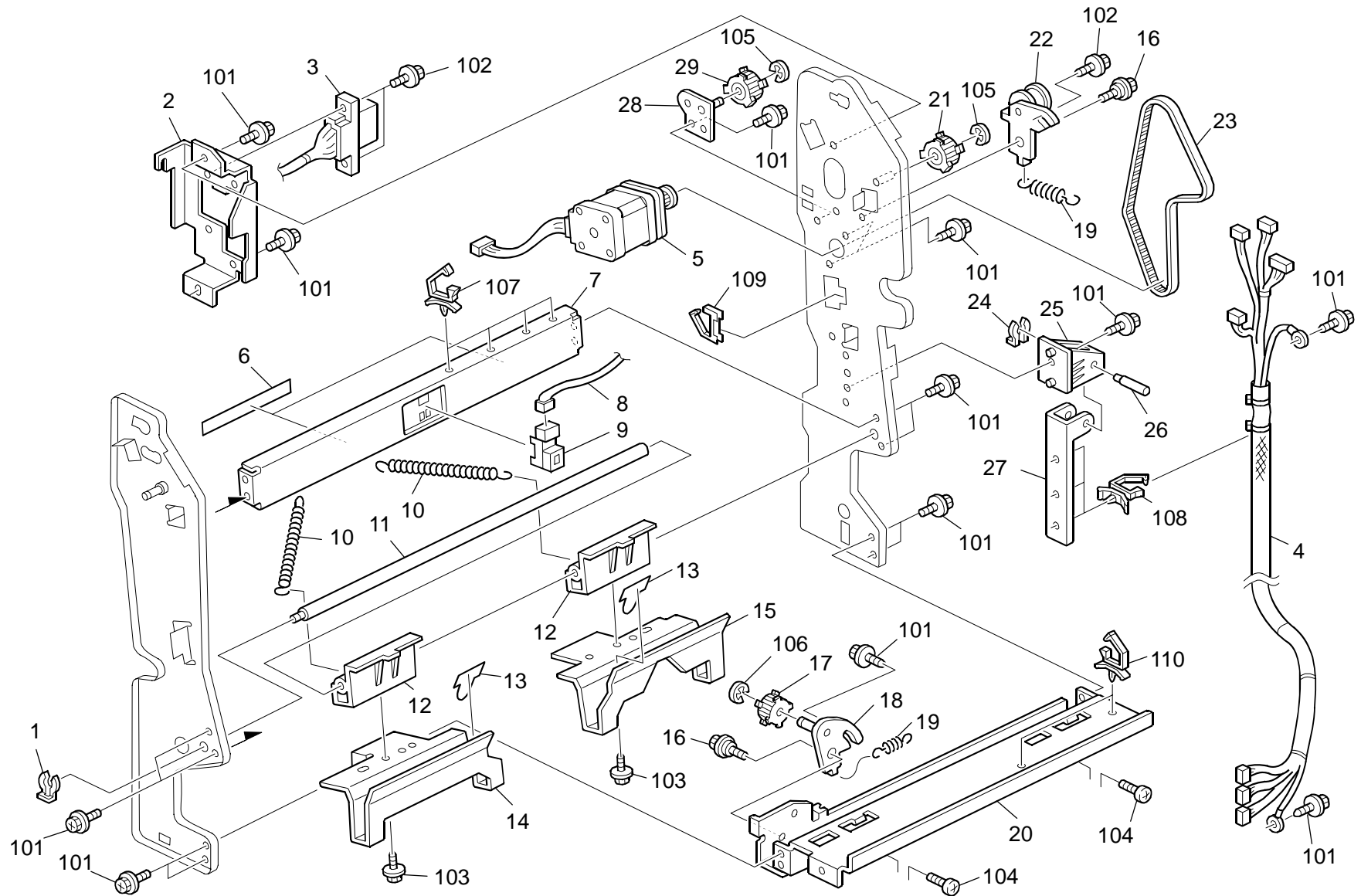
11.Staple Tray 2 (B805)

Rev. 2/17/2011

Index No.	Part No.	Description	Q'ty Per Assembly
1	A697 4170	Pulley - 32T	1
2	B408 4223	Belt Tensioner - Stapler	1
3	D522 4906	Screw	12
4	B700 1501	Tension Spring - Pressure	6
5	AA08 2144	Bushing - 8x12x7	2
6	B700 4209	Pulley: 32T	1
7	B700 4258	Shaft: Exit	1
8	AA10 0011	Retaining Ring: Silencer: Mm7	7
9	B700 4260	Collar: Mm40	6
10	B700 4207	Bracket: Sensor: Jogger	1
11	B700 4261	Timing Pulley: 55T	1
12	B700 4271	Timing Pulley: 55T	1
13	B468 4381	Stopper - Timing Belt	2
14	B700 4200	Shaft: Guide: Jogger Fence	1
15	B700 4213	Timing Belt: 1040S2M4-E	1
16	B700 4250	Exit Belt: Ass'y	1
17	B804 4180	Stapler Tray [TSB#002R]	1
18	B700 4181	Shaft: Idler: Exit	1
19	A666 3180	Timing Pulley - Z32	2
20	AW02 0141	Photo Interrupter	9
21	B701 4201	Jogger Fence: Front: Ass'y	1
22	B701 4204	Jogger Fence: Rear Ass'y	1
23	B700 5804	Stepper Motor: Dia42: Z17: Ass'y	1
24	B700 4210	Bracket: Motor: Jogger Ass'y	1

Index No.	Part No.	Description	Q'ty Per Assembly
101	0453 3006Q	Tapping Screw - 3x6 [TSB#002]	
102	0451 3010N	Tapping Screw: 3x10	
103	0453 3006N	Tapping Screw - M3x6	
104	0720 0040E	Retaining Ring - M4	
105	0632 0160G	Parallel Pin-m2x16	
106	0720 0060E	Retaining Ring - M6	
107	1105 0623	Clamp - LBWS-0206S-V0	
108	1105 0328	Harness Clamp - ES-0505	

12.Staple Tray 3 (B805)



12.Staple Tray 3 (B805)

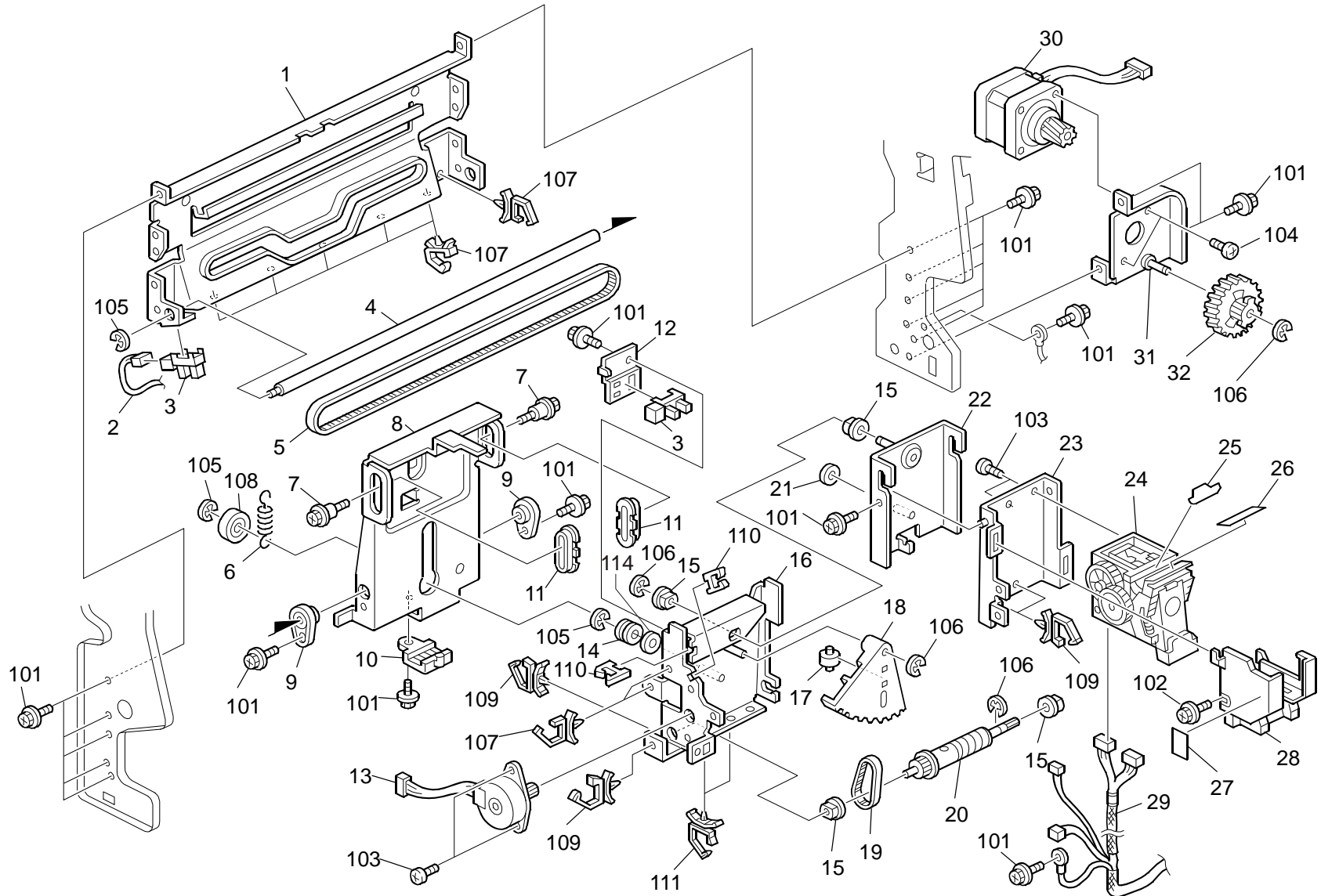
Rev. 05/09/2011

Index No.	Part No.	Description	Q'ty Per Assembly
1	5447 2681	Snap Ring	4
2	B700 4524	Bracket: Stapler Tray: Moveable	1
3	B700 5341	Harness - Stapler Tray Sensor	1
4	B804 5317	Harness: Connecting: Motor: Stapler Unit	1
5	B700 5808	Stepper Motor: Exit: Ass'y	1
6	B700 4168	Sheet: Slider	2
7	D373 4167	Stay: Lower: Positioning Sensor [TSB#002]	1
8	B700 5419	Harness: Connecting: Sensor	1
9	GW01 0007	Photo Reflection Sensor: Exit	4
10	B700 4107	Spring: Return: Standard Fence	2
11	B700 4100	Shaft: Slider: Standard Fence	1
12	B700 4103	Slider: Standard Fence	2
13	B700 4104	Guide: Entrance: Stapler: Inner Back	2
14	B700 4102	Standard Fence: Front: Staple	1
15	B700 4106	Standard Fence: Rear: Staple	1
16	D522 4906	Screw	12
17	AB03 0278	Idler - 20z	1
18	B700 4308	Bracket: Tightener: Stapler: Ass'y	1
19	B700 1501	Tension Spring - Pressure	6
20	B700 4165	Stay: Lower: Slide Rail	1
21	B700 4273	Timing Pulley: 30T	2
22	B804 1600	Bracket: Tightener: Ass'y	4
23	B700 4275	Timing Belt: B40S2M474	1
24	5206 2686	Snap Ring	1
25	B700 4521	Holder Arm: Harness	1
26	B700 4523	Pin: Fix: Arm	1
27	B700 4522	Arm: Harness: Stapler Unit	1
28	B701 4271	Bracket: Idler: Ass'y	1
29	B700 4273	Timing Pulley: 30T	1

Index No.	Part No.	Description	Q'ty Per Assembly
101	0451 3006N	Tapping Screw - 3x6	
102	0451 3008N	Tapping Screw - M3x8	
103	0450 3008N	Tapping Screw - M3x8	
104	0453 3006N	Tapping Screw - M3x6	
105	0720 0040E	Retaining Ring - M4	
106	0720 0060E	Retaining Ring - M6	
107	1105 0623	Clamp - LBWS-0206S-V0	
108	1105 0488	Harness Clamp	
109	1105 0334	Edge - 17	
110	1105 0487	Harness Clamp	

13.Staple Tray 4 (B805)

Rev. 06/11/2010



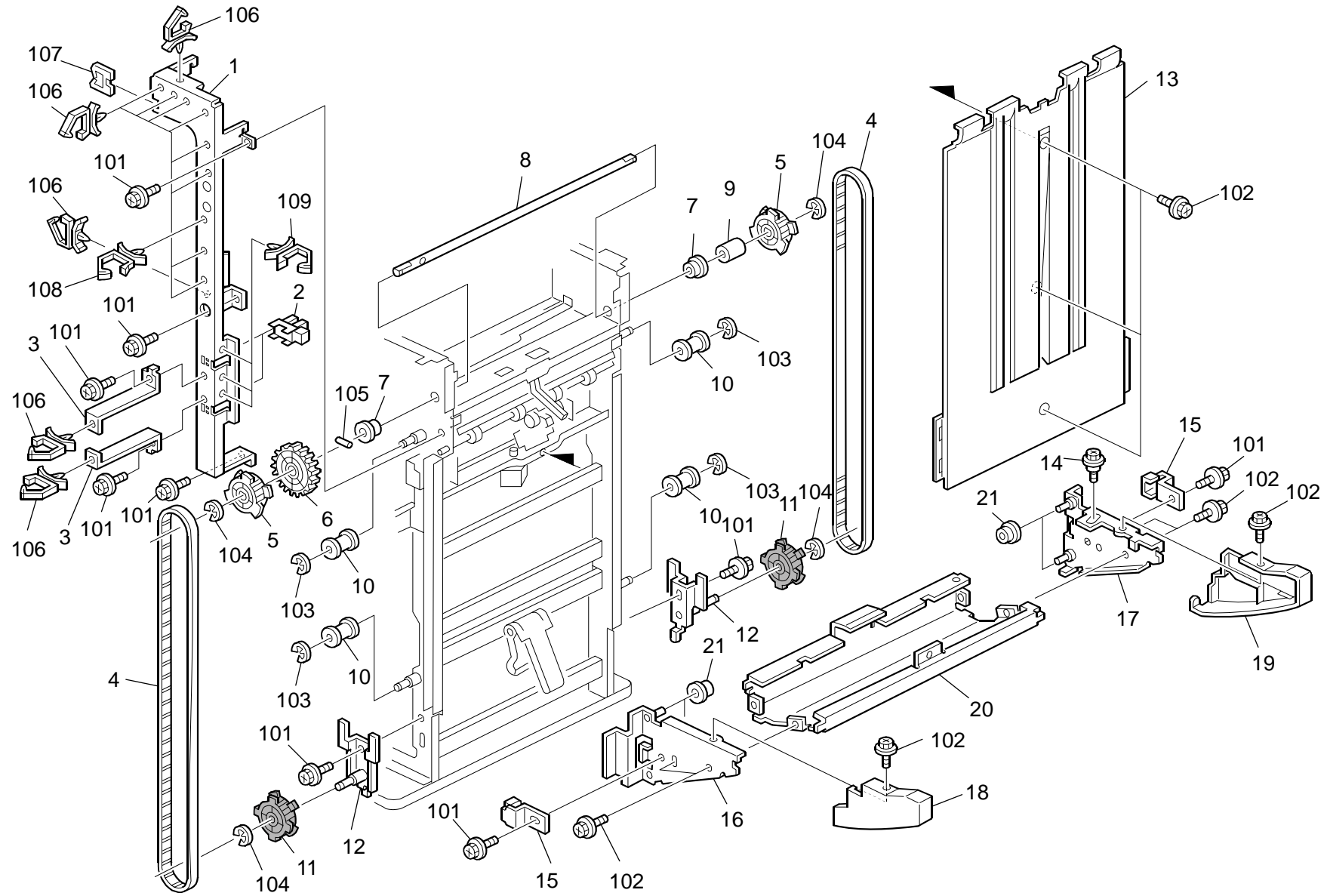
13.Staple Tray 4 (B805)

Rev. 06/05/2012

Index No.	Part No.	Description	Q'ty Per Assembly
1	B700 4163	Stay: Guide: Stapler: Move	1
2	B700 5371	Harness: Connecting: Sensor	1
3	AW02 0203	Photo Interrupter	9
4	B700 4300	Shaft: Guide: Stapler	1
5	B700 4335	Timing Belt: B60S3M954	1
6	B700 4337	Tension Spring	1
7	AA14 3702	Screw: Pin: Positioning	3
8	B700 4329	Bracket: Stapler: Move: Ass'y	1
9	B352 4318	Bushing - Lower Slider	2
10	B302 4292	Belt Holder	1
11	B700 4334	Guide: Slide: Stapler	2
12	B700 4324	Bracket: Sensor: Diagonal, slanted	1
13	B700 5801	Stepper Motor: Ass'y	1
14	B700 4333	Roller: Guide: Slide: Stapler	1
15	AA08 2101	Bushing - 6x10x6	16
16	D373 4320	Bracket: Stapler: Slide: Ass'y [TSB#003]	1
17	A376 1343	Original Pressure Roller	1
18	A697 4140	Sector Gear - 144z	1
19	B700 4327	Timing Belt: B40S2M90	1
20	B700 4326	Worm Gear: Pulley: 19t	1
21	AA13 2024	Spacer - M6	1
22	B700 4316	Bracket: Stapler: Turn: Ass'y	1
23	B700 4313	Bracket: Fix: Stapler: Ass'y	1
24	AJ01 1015	Stapler: EH-530	1
25	B700 4312	Guide: Stapler: Entrance: Lower	1
26	B700 4311	Guide: Stapler: Entrance: Upper	1
27	B700 7891	Decal: Stapler: S1	1
28	B700 4338	Inner Cover: Stapler	1
29	B700 5368	Harness: Connecting: Stapler	1
30	B700 5809	Stepper Motor: Stapler Moveable: Ass'y	1
31	B700 4302	Bracket: Drive: Stapler: Move: Ass'y	1
32	B700 4305	Gear Pulley: 52Z/20T	1

Index No.	Part No.	Description	Q'ty Per Assembly
101	0451 3006N	Tapping Screw - 3x6	
102	0451 3008N	Tapping Screw - M3x8	
103	0453 3006N	Tapping Screw - M3x6	
104	0353 0050N	Screw-m3x5	
105	0720 0060E	Retaining Ring - M6	
106	0720 0040E	Retaining Ring - M4	
107	1105 0623	Clamp - LBWS-0206S-V0	
108	0740 3008	Ball Bearing - 8x22x7	
109	1105 0487	Harness Clamp	
110	1105 0328	Harness Clamp - ES-0505	
111	1105 0516	Clamp	
114	0807 7092	Spacer – 10.5/16 [TSB#003]	1

14.Shift Tray (B805)

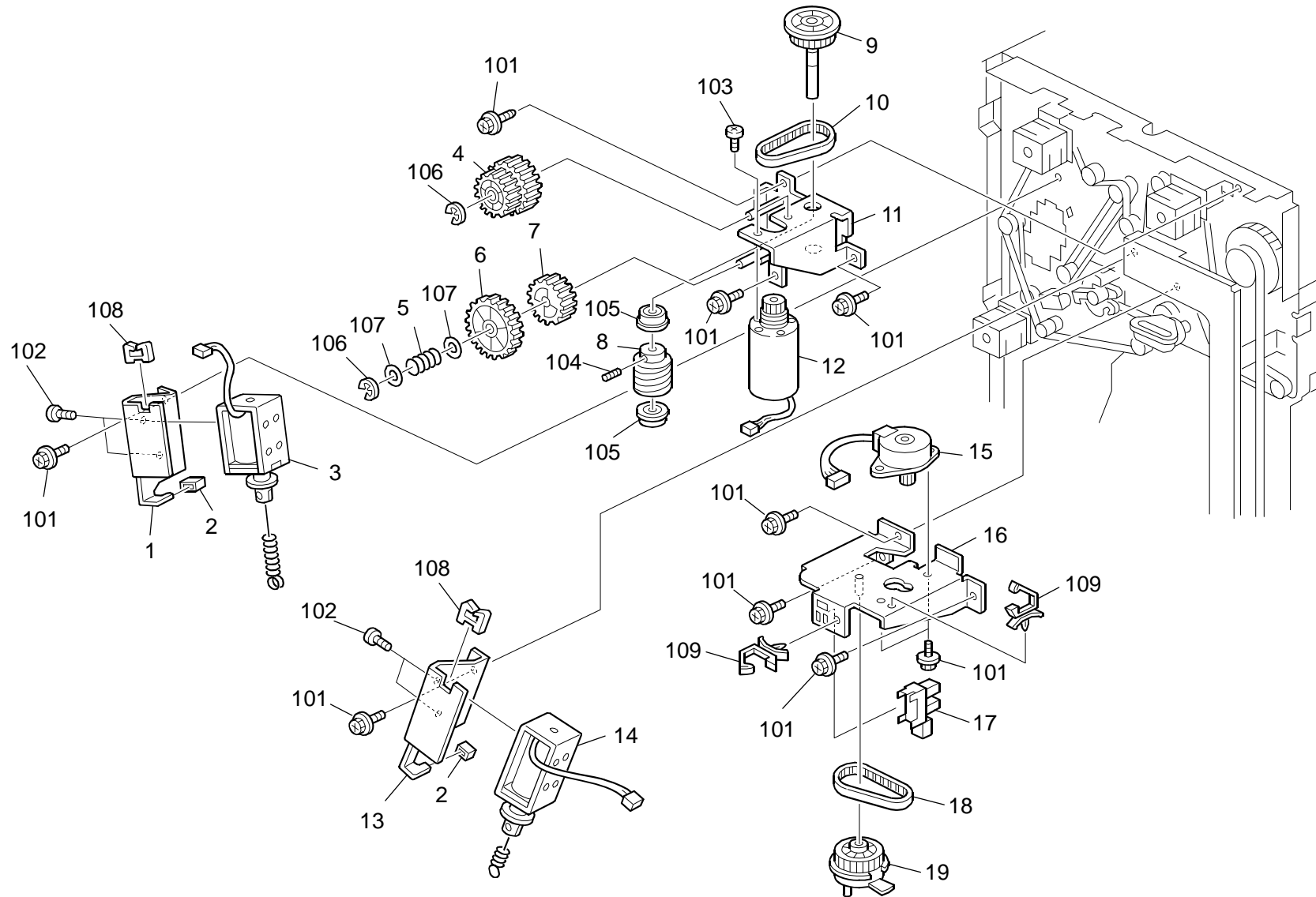


14.Shift Tray (B805)

Index No.	Part No.	Description	Q'ty Per Assembly
1	B700 3325	Bracket: Sensor: Paper Volume Sensor	1
2	AW02 0114	Photo Interrupter - Lower Limit	2
3	B468 5991	Harness Bracket	4
4	B700 3320	Timing Belt:B60S5M1530	2
5	A697 3180	Pulley - 18T	2
6	A697 3170	Gear - 42Z	1
7	C203 5135	Bushing - 10x14x5.9	2
8	A697 3165	Tray Drive Shaft	1
9	A697 3175	Spacer - 10x14x13.5mm	1
10	A548 2139	Pulley	4
11	B700 3315	Timing Pulley:22T	2
12	B700 3310	Tightener:Tray:Drive:Ass'y	2
13	B805 3170	End Fence:Bind:No	1
14	AA14 3702	Screw Pin: Positioning	3
15	A697 3150	Fixing Plate - Timing Belt	2
16	B700 3405	Side Plate:Tray:Inner Back:Ass'y	1
17	B700 3400	Side Plate:Tray:Front:Ass'y	1
18	B804 6165	Cover:Tray:Support:Rear	1
19	B804 6160	Cover:Tray:Support:Front	1
20	B700 3410	Base:Tray	1
21	A379 3316	Shift Guide Roller	4

Index No.	Part No.	Description	Q'ty Per Assembly
101	0451 3006N	Tapping Screw - 3x6	
102	0451 3008N	Tapping Screw - M3x8	
103	0720 0040E	Retaining Ring - M4	
104	0720 0060E	Retaining Ring - M6	
105	0634 0200G	Parallel Pin - 4x20	
106	1105 0488	Harness Clamp	
107	1105 0328	Harness Clamp - ES-0505	
108	1105 0490	Harness Clamp - IWS-2218	
109	1105 0623	Clamp - LBWS-0206S-V0	

15. Drive Section 1 (B805)



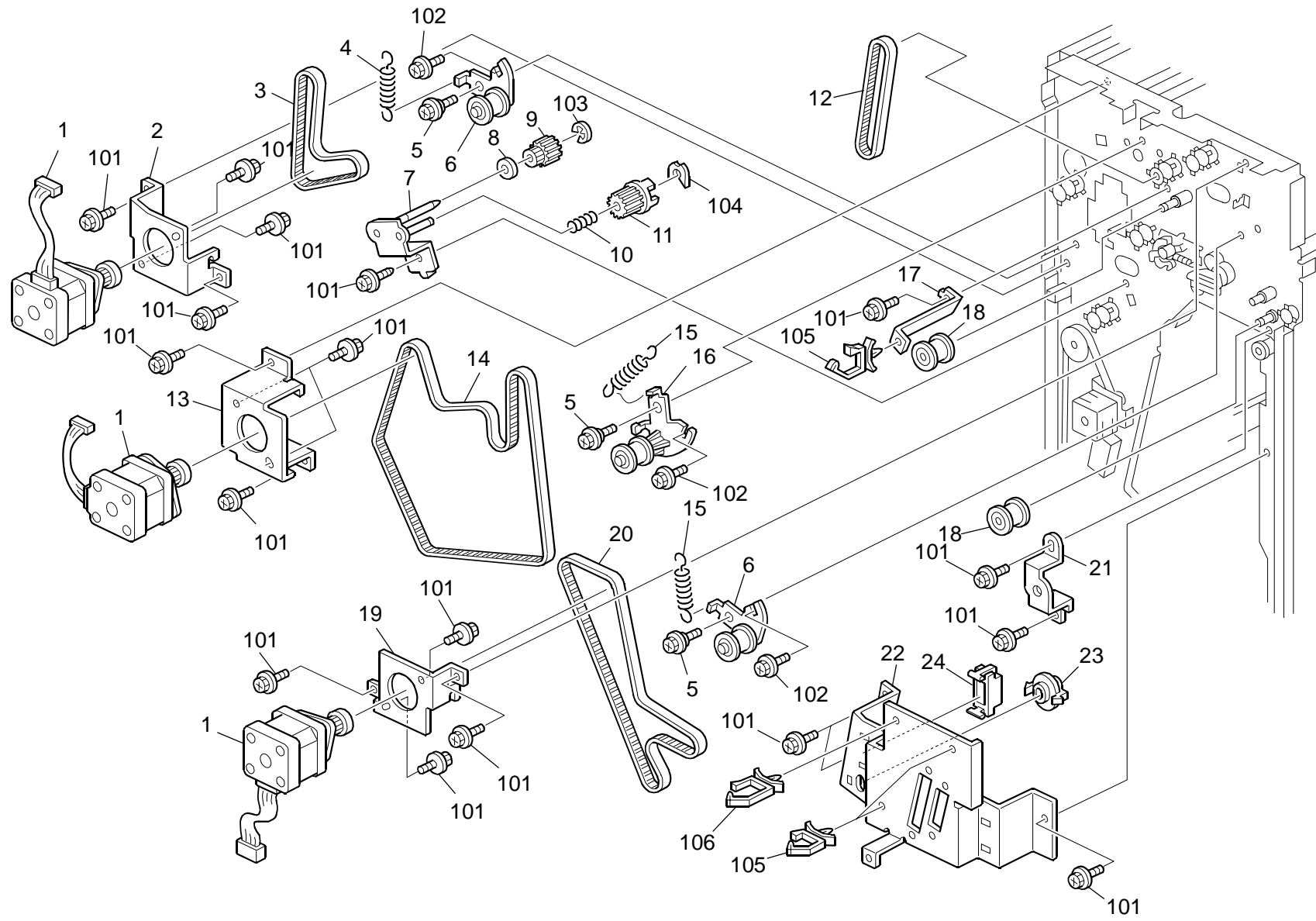
15. Drive Section 1 (B805)

Rev. 03/04/2011

Index No.	Part No.	Description	Q'ty Per Assembly
1	B804 2516	Bracket: DCSol: Gate Pawl: Staple [TSB#006]	1
2	A697 2102	Damper - Junction Gate Solenoid	3
3	B700 2535	DC Solenoid: Gate Pawl: Staple: Ass'y	1
4	A697 3145	Gear - 36Z/18Z	1
5	B700 3322	Compression Spring - 10n	1
6	A697 3140	Gear - 30Z	1
7	A697 3135	Gear - 18Z	1
8	B700 3302	Worm Gear: Upper Lower	1
9	A697 3225	Worm Wheel Shaft	1
10	B700 3305	Timing Belt: B40S2M152	1
11	B700 3300	Bracket: Drive: Tray: Ass'y	1
12	AX06 0282	DC Motor: 25.1W	1
13	B700 2510	Bracket: DCSol: Gate Pawl: Proof Tray	1
14	B700 2550	DC Solenoid: Gate Pawl: Ass'y	1
15	B700 5813	Stepper Motor: Pm: S2m: T12: Ass'y	1
16	B700 1675	Bracket: Shift: Drive: Ass'y	1
17	AW02 0141	Photo Interrupter	9
18	B700 1680	Timing Belt: B40S2M142	1
19	B468 2425	Drive Pulley	1

Index No.	Part No.	Description	Q'ty Per Assembly
101	0451 3006N	Tapping Screw - 3x6	
102	0353 0040N	Screw - M3X4	
103	0353 0060N	Bind Screw - M3x6	
104	0574 0040E	Hexagon Headless Set Screw - M4x4	
105	0741 3506	Ball Bearing - 6x12x4 Mm	
106	0720 0060E	Retaining Ring - M6	
107	0807 5056	Washer - 8.1mm	
108	1105 0328	Harness Clamp - ES-0505	
109	1105 0623	Clamp - LBWS-0206S-V0	

16. Drive Section 2 (B805)



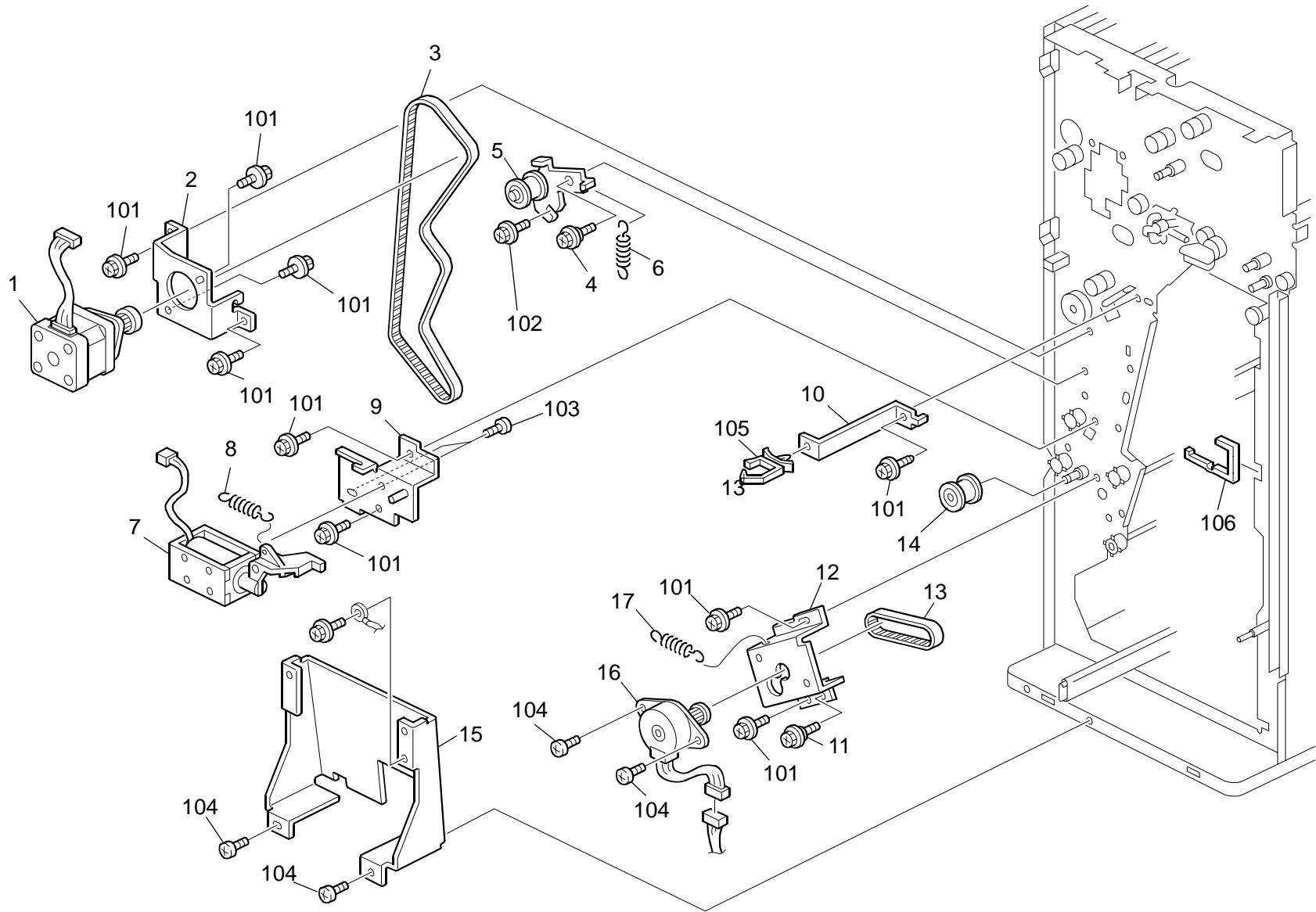
16. Drive Section 2 (B805)

Rev. 05/09/2011

Index No.	Part No.	Description	Q'ty Per Assembly
1	B804 5806	Stepper Motor: Mm42: S3m: T14: Ass'y	4
2	B700 1600	Bracket: Stepper Motor: Transport	2
3	B700 1610	Timing Belt: 40S3M384	1
4	B700 1601	Tension Spring	1
5	D522 4906	Screw	12
6	B312 1600	Tightener	4
7	B700 1620	Bracket: Pulley: Punch: Move: Ass'y	1
8	AA13 2169	Spacer - 5.7x16x1.5	1
9	B700 1625	Gear: Pulley: 14Z/14T	1
10	B700 1635	Compression Spring	1
11	B700 1630	Gear: 14Z	1
12	B700 1615	Timing Belt: B40S3M303	1
13	B700 1640	Bracket: Stepper Motor: Transport	1
14	B700 1670	Timing Belt: B40S3M927	1
15	B700 1501	Tension Spring - Pressure	6
16	B312 1610	Tightener	1
17	B468 5991	Harness Bracket	4
18	B804 1604	Shaft: Idler: Short	4
19	B700 3205	Bracket: Stepper Motor: Exit	1
20	B700 3215	Timing Belt: B40S3M648	1
21	B700 3210	Bracket: Support: Stud: Return	1
22	B700 1162	Bracket: Connector: Stapler Tray	1
23	B700 1165	Holder: Coupling: Stapler Unit	1
24	AG07 1012	Magnet Catch: Ass'y	1

Index No.	Part No.	Description	Q'ty Per Assembly
101	0451 3006N	Tapping Screw - 3x6	
102	0451 3008N	Tapping Screw - M3x8	
103	0720 0040E	Retaining Ring - M4	
104	0805 0089	Retaining Ring - M4	
105	1105 0488	Harness Clamp	
106	1105 0490	Harness Clamp - IWS-2218	

17. Drive Section 3 (B805)



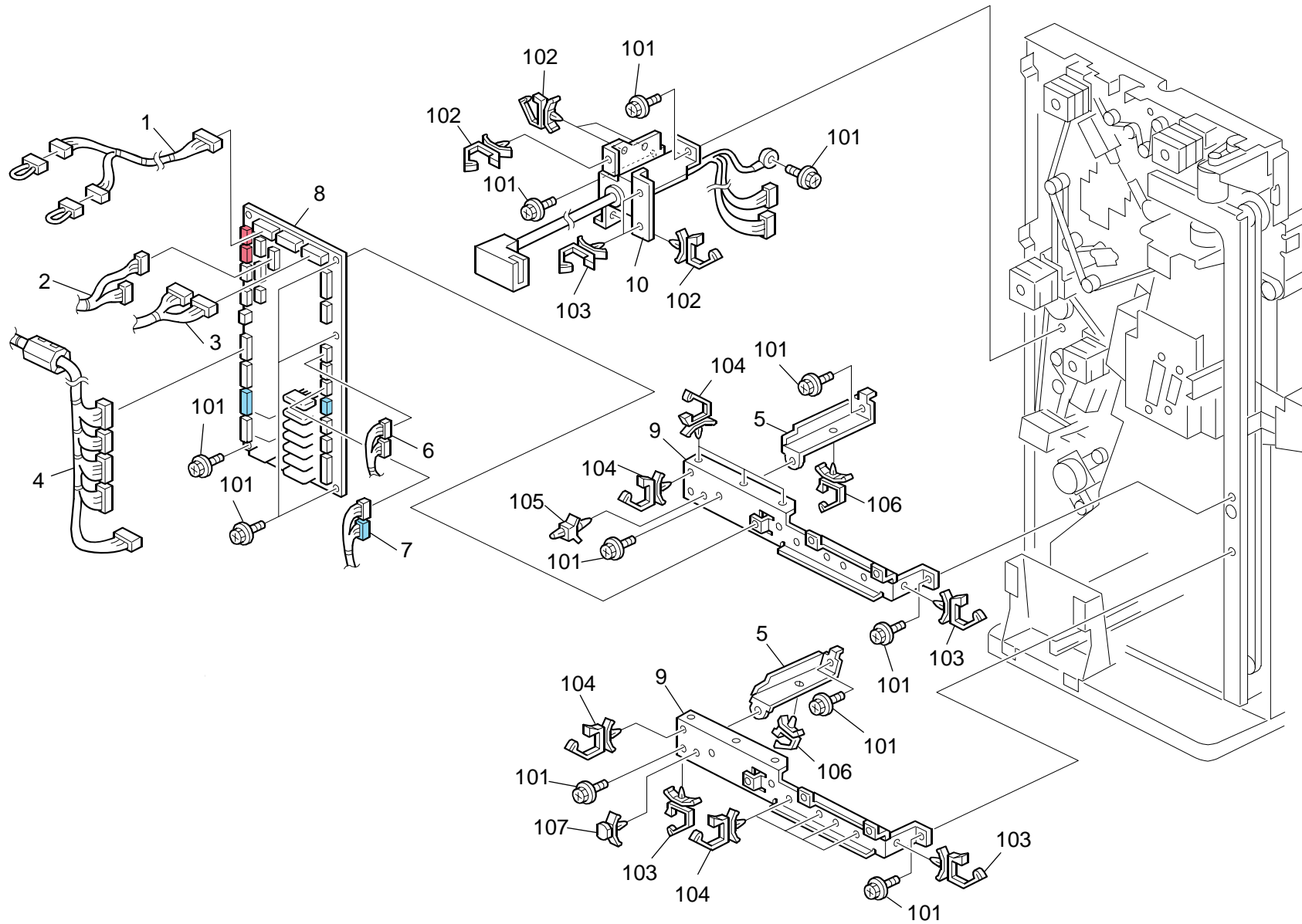
17. Drive Section 3 (B805)

Rev. 09/12/2011

Index No.	Part No.	Description	Q'ty Per Assembly
1	B804 5806	Stepper Motor: Mm42: S3m: T14: Ass'y	4
2	B700 1600	Bracket: Stepper Motor: Transport	2
3	B700 1702	Timing Belt: B40S3M789	1
4	D522 4906	Screw	12
5	B804 1600	Bracket: Tightener: Ass'y	4
6	B700 1501	Tension Spring - Pressure	6
7	B700 2655	DC Solenoid: Gathering Roller: Ass'y	1
8	A300 3865	Release Spring	1
9	B700 2651	Bracket: Solenoid: Gathering Roller	1
10	B468 5991	Harness Bracket	4
11	B700 4867	Screw: Contact Point: M3	1
12	B804 1801	Bracket: Stepper Motor	1
13	B700 1802	Timing Belt: B40S2M134	1
14	B312 1615	Tension Roller	4
15	B700 5957	Bracket: Main Control Board: Lower	1
16	B700 5803	Stepper Motor: Pm: T17: Ass'y	1
17	B700 1803	Tension Spring	1

Index No.	Part No.	Description	Q'ty Per Assembly
101	0451 3006N	Tapping Screw - 3x6	
102	0451 3008N	Tapping Screw - M3x8	
103	0353 0040N	Screw - M3X4	
104	0453 3006N	Tapping Screw - M3x6	
105	1105 0488	Harness Clamp	
106	1105 0334	Edge - 17	

18. Electrical Section (B805)



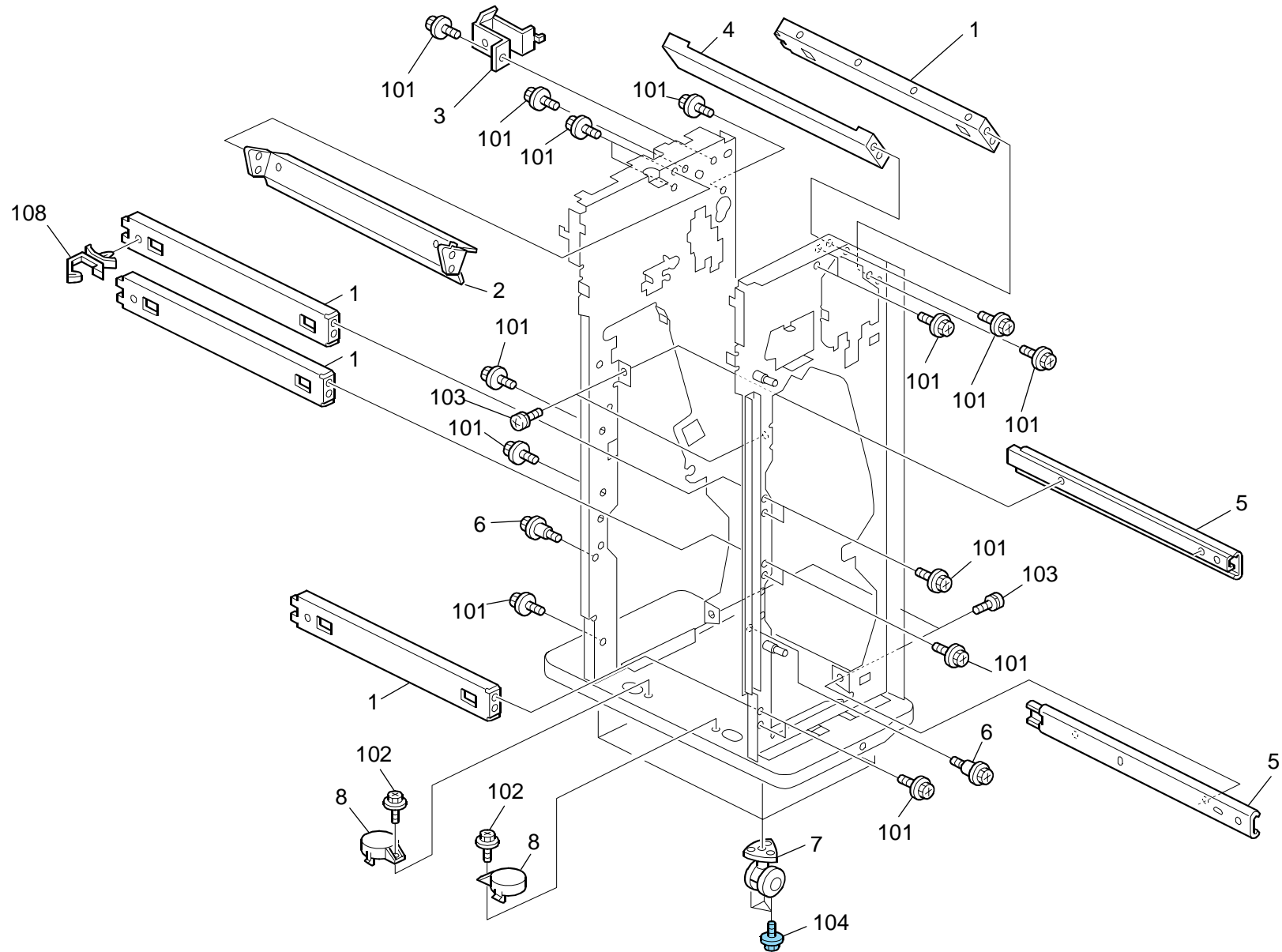
18.Electrical Section (B805)

Rev 5/8/2012

Index No.	Part No.	Description	Q'ty Per Assembly
1	D637 5400	Harness: Entrance Sensor	1
2	B700 5451	Harness: Punch Unit	1
3	B700 5305	Harness: Exit: Tray	1
4	B804 5411	Harness: Stepper Motor [TSB#006]	1
5	B700 5956	Bracket: Printed Circuit Board	2
6	B700 5340	Harness - Stapler Tray Unit	1
7	B804 5309	Harness: Exit: Tray	1
8	B804 5101	PCB: Main Control: Ass'y	1
9	B700 5955	Stay: Fix: Main Control Board	2
10	B700 5350	Harness: Interface: Sub-Ass'y	1
11	B700 1163	Screw: Connector	2

Index No.	Part No.	Description	Q'ty Per Assembly
101	0451 3006N	Tapping Screw - 3x6	
102	1105 0516	Clamp	
103	1105 0487	Harness Clamp	
104	1105 0488	Harness Clamp	
105	1105 0192	Locking Support	
106	1105 0623	Clamp - LBWS-0206S-V0	
107	1105 0367	Spacer	

19.Frame Section (B805)

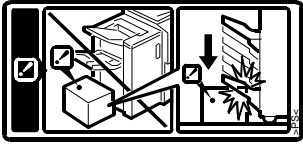
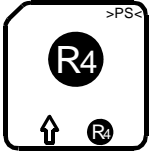
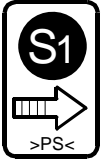
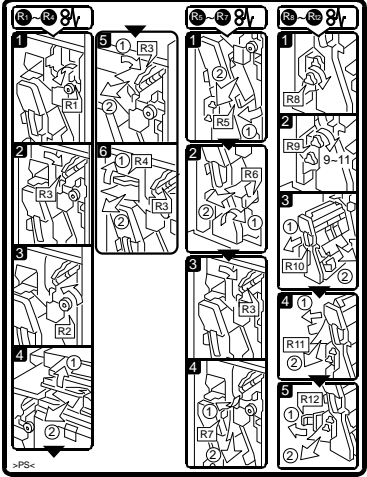


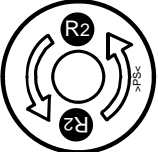

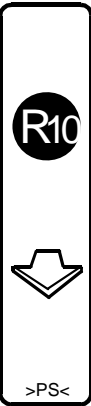





19.Frame Section (B805)

Rev. 12/09/2011

Index No.	Part No.	Description	Q'ty Per Assembly
1	B700 3163	Stay: Coupling	4
2	B804 2321	Guide Plate: Proof Tray	1
3	B804 6132	Bracket: Cover: Upper	1
4	B804 1152	Stay: Coupling	1
5	B701 1166	Slide Rail: 432mm	1
6	AA14 3702	Screw: Pin: Positioning	3
7	AH01 2030	Caster: Dia50: 400n	4
8	B804 1119	Cap: Base	2

Index No.	Part No.	Description	Q'ty Per Assembly
101	0451 3006N	Tapping Screw - 3x6	
102	0451 3008N	Tapping Screw - M3x8	
103	0950 3005N	Screw: Spring Washer: M3X5	
104	0454 4008Q	Tapping Screw - M4x8	
105	1105 0623	Clamp - LBWS-0206S-V0	

<p>1</p> 	<p>5</p> 	<p>9</p> 	<p>11</p> 
<p>2</p> 	<p>6</p>  <p>10</p>		
<p>3</p> 	<p>7</p>  <p>13</p>	<p>10</p> 	<p>12</p> 
<p>4</p> 	<p>8</p> 		

20.Decals and Documents (B805)

Rev. 03/03/2011

Index No.	Part No.	Description	Q'ty Per Assembly
1	B468 7812	Caution Decal - Tray Fall	1
2	B700 7861	Decal: Knob: Entrance: R1	1
3	B700 7862	Decal: Knob: Entrance: R2	1
4	B700 7863	Decal Proof Tray: R3	1
5	B700 7864	Decal: Shift: R4	1
6	B700 7865	Decal Vertical Transport: R5	1
7	B700 7866	Decal: Exit: R6	1
8	B700 7867	Decal Turn Open And Close: R7	1
9	B700 7891	Decal: Stapler: S1	1
10	B701 7888	Decal Stapler Tray: R8	1
11	B805 7850	Decal Misfeed Removal Bind: No	1
12	B804 7813	Decal: Caution: Proof Tray: Paper Exit: Sub-Unit [TSB#005]	1

Index No.	Part No.	Description	Q'ty Per Assembly

FINISHER SR3030 B805
PARTS INDEX

This section instructs you as to the numbers and names of parts on this machine

Parts Index

Part No.	Description	Page and Index No.
B805 3170	End Fence: Bind: No	29 - 13
B805 4162	Cover: Stay: Middle :Behind	21 - 5
B805 4500	Guide Plate :Exit	21 - 4
B805 4551	Guide Plate: Exit: Small	21 - 15
B805 7850	Decal: Misfeed Removal: Bind : No	3 - 11
B805 7850	Decal: Misfeed Removal: Bind: No	41 - 11

Part No.	Description	Page and Index No.
A300 2736	Worm Gear	31 - 8
A300 3865	Release Spring	35 - 8
A353 2243	Lever Knob	11 - 4
A353 3172	Actuator Bracket	13 - 8
A353 3173	Pressure Spring	13 - 9
A376 1343	Original Pressure Roller	27 - 17
A379 3316	Shift Guide Roller	29 - 21
A458 2251	Cushion - Bin Solenoid Lever	19 - 20
A458 2251	Cushion - Bin Solenoid Lever	11 - 12
A458 2251	Cushion - Bin Solenoid Lever	9 - 16
A498 4625	Arm Cushion	19 - 2
A548 2139	Pulley	29 - 10
A612 2435	Support Plate	17 - 3
A666 3180	Timing Pulley - Z32	21 - 11
A666 3180	Timing Pulley - Z32	23 - 19
A666 4270	Roller: Driven: Entrance	5 - 3
A680 4223	Cushion	19 - 18
A681 2742	Driven Exit Roller	13 - 3
A697 1128	Joint Lever	11 - 18
A697 1606	Spacer - 6x12x2.7mm	7 - 22
A697 1606	Spacer - 6x12x2.7mm	5 - 16
A697 2102	Damper - Junction Gate Solenoid	31 - 2
A697 2102	Damper - Junction Gate Solenoid	19 - 4
A697 2187	Pressure Spring - 14.1mm	7 - 9
A697 3135	Gear - 18Z	31 - 7
A697 3140	Gear - 30Z	31 - 6
A697 3145	Gear - 36Z/18Z	31 - 4
A697 3150	Fixing Plate - Timing Belt	29 - 15
A697 3165	Tray Drive Shaft	29 - 8
A697 3170	Gear - 42Z	29 - 6
A697 3175	Spacer - 10x14x13.5mm	29 - 9
A697 3180	Pulley - 18T	29 - 5
A697 3225	Worm Wheel Shaft	31 - 9
A697 4140	Sector Gear - 144z	27 - 18
A697 4170	Pulley - 32T	23 - 1

Part No.	Description	Page and Index No.
B302 1145	Actuator - Paper Height Sensor	13 - 10
B302 2216	Exit Guide - Upper Exit Guide	7 - 11
B302 4292	Belt Holder	27 - 10
B312 1600	Tightener	25 - 22
B312 1600	Tightener	33 - 6
B312 1600	Tightener	35 - 5
B312 1610	Tightener	33 - 16
B312 1615	Tension Roller	33 - 18
B312 1615	Tension Roller	35 - 14
B352 1600	Timing Pulley - S2M T24	19 - 8
B352 1607	Timing Pulley - T20-S3M	15 - 1
B352 1607	Timing Pulley - T20-S3M	11 - 19
B352 1607	Timing Pulley - T20-S3M	17 - 15
B352 2400	Exit Roller	15 - 34
B352 2405	Outer Exit Roller	15 - 33
B352 4318	Bushing - Lower Slider	27 - 9
B408 1428	Ground Plate: Coupling	3 - 15
B408 2113	Guide - Trailing Edge	19 - 19
B408 2173	Slide Roller	9 - 7
B408 2174	Spring	9 - 6
B408 2175	Bushing - Roller Slide	9 - 4
B408 2281	Knob - Transfer Roller	5 - 11
B408 2312	Bushing - Roller Slide	9 - 3
B408 2422	Pulley - T16	19 - 10
B408 2435	Gathering Roller :Ass'y	19 - 9
B408 2833	Shaft - Worm Wheel	13 - 19
B408 4223	Belt Tensioner - Stapler	23 - 2
B468 2425	Drive Pulley	31 - 19
B468 2832	Driven Exit Roller	19 - 26
B468 4381	Stopper - Timing Belt	23 - 13
B468 5991	Harness Bracket	29 - 3
B468 5991	Harness Bracket	35 - 10
B468 5991	Harness Bracket	33 - 17
B468 6511	Spacer Cushion - 20mm	3 - 17
B468 7812	Caution Decal - Tray Fall	3 - 5

Part No.	Description	Page and Index No.
B468 7812	Caution Decal - Tray Fall	41 - 1
B477 2333	Motor Bracket Cushion	19 - 17
B478 3501	Pulley: Drive: Roller: Sponge	15 - 10
B478 3502	Pulley: Driven: Roller :Sponge	15 - 12
B478 3503	Gathering Roller: Sponge	15 - 13
B478 3504	Timing Belt:B40S2M100	15 - 9
B478 3506	Lever: Drive: Gathering Roller: Front	15 - 8
B478 3507	Lever: Drive: Gathering Roller Back	15 - 7
B478 3569	Spacer	9 - 32
B478 3569	Spacer	15 - 25
B700 1151	Stay: Coupling	11 - 17
B700 1162	Bracket: Connector Stapler Tray	33 - 22
B700 1163	Screw: Connector	37 - 11
B700 1165	Holder: Coupling: Stapler Unit	33 - 23
B700 1170	Stay :Punch Unit: Slide: Ass'y	9 - 33
B700 1183	Sheet: Guide: Punch	9 - 24
B700 1185	Ground Plate: Toner Hopper :Punch	11 - 2
B700 1191	Bracket Coupling :Ass'y	3 - 18
B700 1198	Coupling Bracket - Front	3 - 16
B700 1501	Tension Spring - Pressure	35 - 6
B700 1501	Tension Spring - Pressure	23 - 4
B700 1501	Tension Spring - Pressure	25 - 19
B700 1501	Tension Spring - Pressure	33 - 15
B700 1600	Bracket :Stepper Motor :Transport	33 - 2
B700 1600	Bracket: Stepper Motor: Transport	35 - 2
B700 1601	Tension Spring	33 - 4
B700 1605	Timing Pulley:26T	7 - 24
B700 1605	Timing Pulley:26T	5 - 18
B700 1610	Timing Belt:40S3M384	33 - 3
B700 1615	Timing Belt:B40S3M303	33 - 12
B700 1620	Bracket: Pulley: Punch: Move :Ass'y	33 - 7
B700 1625	Gear:Pulley:14Z/14T	33 - 9
B700 1630	Gear:14Z	33 - 11
B700 1635	Compression Spring	33 - 10
B700 1640	Bracket: Stepper Motor: Transport	33 - 13

Part No.	Description	Page and Index No.
B700 1645	Timing Pulley:20T	11 - 20
B700 1645	Timing Pulley:20T	7 - 25
B700 1650	Gear:30Z	9 - 31
B700 1660	Bracket: Gear :Middle :Ass'y	9 - 26
B700 1665	Gear:25Z	9 - 30
B700 1670	Timing Belt:B40S3M927	33 - 14
B700 1675	Bracket: Shift: Drive: Ass'y	31 - 16
B700 1680	Timing Belt:B40S2M142	31 - 18
B700 1701	Timing Pulley:40T	11 - 21
B700 1702	Timing Belt:B40S3M789	35 - 3
B700 1801	Bracket Stepper Motor	35 - 12
B700 1802	Timing Belt:B40S2M134	35 - 13
B700 1803	Tension Spring	35 - 17
B700 2119	Compression Spring: Entrance: Driven	5 - 20
B700 2125	Knob: Guide Plate Entrance	5 - 7
B700 2126	Sheet: Entrance	5 - 9
B700 2130	Transport Roller: Entrance: Upper	5 - 15
B700 2135	Bushing Transport Roller :Front	5 - 12
B700 2140	Bushing: Transport Roller: Rear	5 - 13
B700 2145	Bracket: Entrance Sensor	5 - 23
B700 2200	Tension Spring: Guide Plate: Move	5 - 1
B700 2215	Guide Plate: Upper: Move	5 - 2
B700 2220	Transport Roller :Shift	9 - 13
B700 2225	Gear:30Z	9 - 28
B700 2241	Sheet: Guide: Staple	9 - 12
B700 2300	Exit Roller: Proof Tray	7 - 14
B700 2305	Transport Roller: Short	11 - 9
B700 2310	Guide Plate: Proof Tray: Ass'y	7 - 13
B700 2315	Guide Plate: Proof Tray	7 - 18
B700 2316	Torsion Spring	7 - 21
B700 2317	Discharge Brush	7 - 12
B700 2320	Bracket: Sensor: Proof Tray	7 - 6
B700 2325	Transport Roller: Long	11 - 10
B700 2325	Transport Roller: Long	7 - 15
B700 2330	Guide Plate Exit: Proof Tray	7 - 2

Part No.	Description	Page and Index No.
B700 2331	Bracket: Photo Interrupter Overflow	7 - 5
B700 2411	Guide Plate :Turn :Ass'y	11 - 7
B700 2421	Guide Plate: Turn: Open And Close	11 - 5
B700 2422	Tension Spring: Turn: Open And Close	11 - 6
B700 2431	Polarization Powl: Duplex Stack	11 - 11
B700 2432	Tension Spring	11 - 13
B700 2441	Guide Plate: Duplex Stack: Ass'y	11 - 16
B700 2452	Shaft: Turn: Guide	11 - 14
B700 2453	Guide: Turn	11 - 15
B700 2461	Transport Roller: Duplex Stack: Lower	17 - 9
B700 2471	Guide Plate: Lengthwise	17 - 6
B700 2473	Guide Plate: Lower :Open And Close	19 - 22
B700 2476	Compression Spring: Exit: Driven	17 - 4
B700 2476	Compression Spring :Exit: Driven	19 - 28
B700 2478	Tension Spring	19 - 21
B700 2481	Guide Plate: Lengthwise: Ass'y	17 - 12
B700 2485	Bracket: Sensor :Duplex Tray	17 - 14
B700 2486	Guide Plate: Exit: Stapler Tray	17 - 11
B700 2491	Exit Roller: Stapler Tray	17 - 10
B700 2500	Gate Pawl: Staple	9 - 20
B700 2505	Gate Pawl: Proof Tray	9 - 18
B700 2510	Bracket :Dcsol:Gate Pawl: Proof Tray	31 - 13
B700 2515	Bracket: Dcsol: Gate Pawl: Staple	31 - 1
B700 2520	Cushion: Gate Pawl	19 - 16
B700 2520	Cushion: Gate Pawl	9 - 17
B700 2525	Supporting Plate: Gate Pawl	9 - 14
B700 2530	Supporting Plate Gate Pawl: Staple	9 - 19
B700 2535	DC Solenoid: Gate Pawl Staple :Ass'y	31 - 3
B700 2540	Tension Spring	9 - 21
B700 2545	Tension Spring	9 - 15
B700 2550	DC Solenoid: Gate Pawl : Ass'y	31 - 14
B700 2611	Bracket: Gathering Roller	19 - 7
B700 2612	Shaft: Gathering Roller: Drive	19 - 15
B700 2621	Arm : Gathering Roller :Ass'y	19 - 12
B700 2649	Timing Belt:40S2M144	19 - 11

Part No.	Description	Page and Index No.
B700 2651	Bracket: Solenoid :Gathering Roller	35 - 9
B700 2655	DC Solenoid: Gathering Roller :Ass'y	35 - 7
B700 2711	Stay: Swivel :Ass'y	19 - 32
B700 2722	Shaft: Contact Point :Swivel	19 - 29
B700 2723	Tension Spring :Release: Swivel	19 - 31
B700 2725	Arm: Solenoid: Swivel	19 - 1
B700 2729	Cushion :Arm	19 - 3
B700 2729	Cushion: Arm	5 - 27
B700 2731	DC Solenoid: Swivel :Ass'y	19 - 5
B700 3100	Stay: Drive :Guide Plate :Ass'y	13 - 24
B700 3105	Bracket: Stepper Motor: Guide Plate	13 - 12
B700 3115	Worm Gear:37t	13 - 16
B700 3120	Worm Wheel:20z	13 - 18
B700 3125	Timing Belt:B40S2M232	13 - 15
B700 3130	Bushing: Joint	13 - 20
B700 3135	Joint: Guide Plate: Open And Close	13 - 22
B700 3140	Compression Spring	13 - 21
B700 3145	Bracket: Feeler: Plate	13 - 11
B700 3150	Bracket: Surface Of Paper Sensor	13 - 25
B700 3155	Guide Plate :Exit: Upper	13 - 5
B700 3156	Discharge Brush	13 - 1
B700 3157	Shaft: Exit Roller: Driven	13 - 4
B700 3163	Stay: Coupling	39 - 1
B700 3176	Shaft: Exit Roller	15 - 32
B700 3205	Bracket: Stepper Motor: Exit	33 - 19
B700 3210	Bracket: Support: Stud: Return	33 - 21
B700 3215	Timing Belt:B40S3M648	33 - 20
B700 3300	Bracket Drive: Tray: Ass'y	31 - 11
B700 3305	Timing Belt:B40S2M152	31 - 10
B700 3310	Tightener: Tray: Drive :Ass'y	29 - 12
B700 3315	Timing Pulley:22T	29 - 11
B700 3320	Timing Belt:B60S5M1530	29 - 4
B700 3322	Compression Spring - 10n	31 - 5
B700 3325	Bracket: Sensor :Paper Volume Sensor	29 - 1
B700 3400	Side Plate: Tray: Front: Ass'y	29 - 17

Part No.	Description	Page and Index No.
B700 3405	Side Plate: Tray:Inner Back: Ass'y	29 - 16
B700 3410	Base: Tray	29 - 20
B700 3420	Tray: Auxiliary	3 - 4
B700 3500	Stay: Uniform: Ass'y	15 - 27
B700 3504	Timing Belt:B40S2M92	15 - 24
B700 3505	Timing Pulley:20/30T	15 - 26
B700 3515	Shaft: Gathering Roller: Drive :Ass'y	15 - 11
B700 3520	Timing Pulley:18T	15 - 23
B700 3525	Lever: Driven: Gathering Roller :Front	15 - 16
B700 3530	Lever: Driven: Gathering Roller: Rear	15 - 15
B700 3535	Timing Belt:B40S2M116	15 - 14
B700 3540	Bracket: Coupling: Lever: Drive	15 - 6
B700 3545	Tension Spring	15 - 5
B700 3550	Bracket: Feeler: Paper Sensor	15 - 18
B700 3555	Feeler :Paper Sensor	15 - 17
B700 3560	Bracket: Sensor: Paper Sensor	15 - 30
B700 3565	Bracket Home Position Sensor	15 - 22
B700 3570	Cam: Gathering Roller	15 - 29
B700 3575	Cam: Lever Drive	15 - 28
B700 4100	Shaft: Slider: Standard Fence	25 - 11
B700 4102	Standard Fence :Front: Staple	25 - 14
B700 4103	Slider: Standard Fence	25 - 12
B700 4104	Guide: Entrance: Stapler Inner Back	25 - 13
B700 4106	Standard Fence: Rear: Staple	25 - 15
B700 4107	Spring Return: Standard Fence	25 - 10
B700 4159	Stay :Upper :Slide Rail	21 - 3
B700 4161	Stay: Middle: Stapler Tray	21 - 12
B700 4163	Stay: Guide :Stapler: Move	27 - 1
B700 4165	Stay Lower: Slide Rail	25 - 20
B700 4167	Stay: Lower: Positioning Sensor	25 - 7
B700 4168	Sheet Slider	25 - 6
B700 4180	Stapler Tray	23 - 17
B700 4181	Shaft: Idler: Exit	23 - 18
B700 4200	Shaft: Guide: Jogger Fence	23 - 14
B700 4207	Bracket Sensor: Jogger	23 - 10

Part No.	Description	Page and Index No.
B700 4209	Pulley:32T	23 - 6
B700 4210	Bracket: Motor: Jogger :Ass'y	23 - 24
B700 4213	Timing Belt:1040S2M4-E	23 - 15
B700 4250	Exit Belt: Ass'y	23 - 16
B700 4255	Bracket: Home Position Sensor: Pawl	21 - 7
B700 4258	Shaft :Exit	23 - 7
B700 4260	Collar:Mm40	23 - 9
B700 4261	Timing Pulley:55T	23 - 11
B700 4265	Bracket: Tightener: Exit: Fix	21 - 8
B700 4267	Bracket: Tightener :Exit: Ass'y	21 - 10
B700 4271	Timing Pulley:55T	23 - 12
B700 4273	Timing Pulley:30T	25 - 21
B700 4273	Timing Pulley:30T	25 - 29
B700 4275	Timing Belt:B40S2M474	25 - 23
B700 4276	Tension Spring	21 - 9
B700 4300	Shaft: Guide: Stapler	27 - 4
B700 4302	Brake :Drive: Stapler :Move :Ass'y	27 - 31
B700 4305	Gear Pulley:52Z/20T	27 - 32
B700 4308	Bracket: Tightener: Stapler: Ass'y	25 - 18
B700 4311	Guide: Stapler: Entrance :Upper	27 - 26
B700 4312	Guide: Stapler: Entrance: Lower	27 - 25
B700 4313	Bracket: Fix: Stapler: Ass'y	27 - 23
B700 4316	Bracket: Stapler: Turn: Ass'y	27 - 22
B700 4320	Bracket: Stapler: Slide: Ass'y	27 - 16
B700 4324	Bracket: Sensor: Diagonal, slanted	27 - 12
B700 4326	Worm Gear:Pulley:19t	27 - 20
B700 4327	Timing Belt:B40S2M90	27 - 19
B700 4329	Bracket: Stapler: Move: Ass'y	27 - 8
B700 4333	Roller: Guide: Slide: Stapler	27 - 14
B700 4334	Guide: Slide: Stapler	27 - 11
B700 4335	Timing Belt:B60S3M954	27 - 5
B700 4336	Inner Cover: Stapler	27 - 28
B700 4337	Tension Spring	27 - 6
B700 4521	Holder: Arm: Harness	25 - 25
B700 4522	Arm: Harness: Stapler Unit	25 - 27

Part No.	Description	Page and Index No.
B700 4523	Pin Fix: Arm	25 - 26
B700 4524	Bracket: Stapler Tray: Moveable	25 - 2
B700 4540	Inner Cover: Stapler Unit	21 - 2
B700 4867	Screw: Contact Point:M3	35 - 11
B700 5301	Harness: Safety Switch	5 - 24
B700 5302	Harness: Entrance Sensor	37 - 1
B700 5304	Harness: Surface Of Paper Sensor	15 - 31
B700 5305	Harness: Exit: Tray	37 - 3
B700 5310	Harness: Stepper Motor	37 - 4
B700 5311	Harness: Exit: Open And Close: Motor	13 - 13
B700 5340	Harness - Stapler Tray Unit	37 - 6
B700 5341	Harness - Stapler Tray Sensor	25 - 3
B700 5350	Harness: Interface: Sub- ass'y	37 - 10
B700 5361	Harness: Connecting: Sensor: Exit	13 - 26
B700 5365	Harness: Connecting: Sensor	7 - 4
B700 5366	Harness: Connecting: Sensor	7 - 7
B700 5368	Harness: Connecting: Stapler	27 - 29
B700 5371	Harness: Connecting: Sensor	27 - 2
B700 5373	Harness: Connecting: Sensor	13 - 7
B700 5415	Harness: Drive Swivel: Motor	15 - 19
B700 5419	Harness: Connecting: Sensor	25 - 8
B700 5451	Harness: Punch Unit	37 - 2
B700 5801	Stepper Motor: Ass'y	27 - 13
B700 5803	Stepper Motor:Pm:T17:Ass'y	35 - 16
B700 5804	Stepper Motor:Dia42:Z17:Ass'y	23 - 23
B700 5805	Stepper Motor:Pm:S2m:T15:Ass'y	13 - 14
B700 5807	Stepper Motor:Mm42:S2m:T15:Ass'y	15 - 20
B700 5808	Stepper Motor: Exit: Ass'y	25 - 5
B700 5809	Stepper Motor: Stapler: Moveable: Ass'y	27 - 30
B700 5813	Stepper Motor:Pm:S2m:T12:Ass'y	31 - 15
B700 5955	Stay :Fix: Main Control Board	37 - 9
B700 5956	Bracket: Printed Circuit Board	37 - 5
B700 5957	Bracket: Main Control Board: Lower	35 - 15
B700 6100	Inner Cover: Upper	9 - 1
B700 6105	Inner Cover: Lower	17 - 1

Part No.	Description	Page and Index No.
B700 6120	Hinge: Door: Lower: Ass'y	3 - 9
B700 6125	Hinge: Door: Upper: Ass'y	3 - 8
B700 6139	Proof Tray: Auxiliary	3 - 19
B700 7861	Decal:Knob:Entrance:R1	5 - 6
B700 7861	Decal:Knob:Entrance:R1	41 - 2
B700 7862	Decal:Knob:Entrance:R2	5 - 10
B700 7862	Decal:Knob:Entrance:R2	41 - 3
B700 7863	Decal: Proof Tray:R3	41 - 4
B700 7863	Decal: Proof Tray:R3	7 - 17
B700 7864	Decal:Shift:R4	9 - 8
B700 7864	Decal:Shift:R4	41 - 5
B700 7865	Decal: Vertical Transport:R5	41 - 6
B700 7865	Decal: Vertical Transport:R5	17 - 7
B700 7866	Decal:Exit:R6	41 - 7
B700 7866	Decal:Exit:R6	19 - 23
B700 7867	Decal: Turn: Open And Close:R7	9 - 2
B700 7867	Decal: Turn: Open And Close:R7	41 - 8
B700 7891	Decal:Stapler:S1	27 - 27
B700 7891	Decal:Stapler:S1	41 - 9
B701 1166	Slide Rail:432mm	39 - 5
B701 4161	Cover: Stay: Middle	21 - 13
B701 4201	Jogger Fence :Front: Ass'y	23 - 21
B701 4204	Jogger Fence: Rear: Ass'y	23 - 22
B701 4271	Bracket: Idler: Ass'y	25 - 28
B701 7888	Decal: Stapler Tray:R8	41 - 10
B701 7888	Decal: Stapler Tray:R8	21 - 1
B793 2321	Slide Roller Link	9 - 29
B804 1117	Cap - Base	39 - 8
B804 1152	Stay: Coupling	39 - 4
B804 1164	Bracket: Ground Plate: Coupling	3 - 10
B804 1180	Discharge Brush: Punch Unit	9 - 23
B804 1182	Discharge Brush: Punch: Transport	9 - 25
B804 2037	Guide Plate: Horizontal: Lower	9 - 11
B804 2100	Guide Plate: Connecting: Upper	5 - 26
B804 2105	Guide Plate: Connecting: Lower	5 - 25

Part No.	Description	Page and Index No.
B804 2110	Guide Plate: Entrance: Lower	5 - 19
B804 2120	Guide Plate: Entrance: Upper	5 - 8
B804 2205	Guide Plate: Upper	5 - 4
B804 2210	Guide Plate: Transport: Entrance Upper	5 - 5
B804 2235	Guide Plate: Punch Unit	9 - 34
B804 2245	Guide Plate: Horizontal :Shift	9 - 9
B804 2321	Guide Plate: Proof Tray	39 - 2
B804 2474	Discharge Brush: Exit	19 - 24
B804 2477	Discharge Brush: Exit: Middle	19 - 25
B804 2721	Guide: Trailing Edge	19 - 30
B804 3161	Guide Plate: Exit: Lower	15 - 35
B804 3417	Tray	3 - 14
B804 5309	Harness: Exit: Tray	37 - 7
B804 5317	Harness: Connecting: Motor: Stapler Unit	25 - 4
B804 5502	PCB: Main Control	37 - 8
B804 5806	Stepper Motor:Mm42:S3m:T14:Ass'y	35 - 1
B804 5806	Stepper Motor:Mm42:S3m:T14:Ass'y	33 - 1
B804 6115	Cover: Front	3 - 13
B804 6132	Bracket: Cover :Upper	39 - 3
B804 6135	Cover: Upper	3 - 6
B804 6145	Cover: Left: Front	3 - 7
B804 6150	Cover: Left Upper	3 - 3
B804 6155	Cover: Jogger	3 - 2
B804 6160	Cover: Tray: Support: Front	29 - 19
B804 6165	Cover T ray: Support: Rear	29 - 18
B804 6175	Cover: Rear	3 - 1
C203 5135	Bushing - 10x14x5.9	29 - 7
G565 2135	Exit Plate	13 - 2
H072 2220	Spacer - M6x10	15 - 2

Part No.	Description	Page and Index No.
AA06 0557	Positioning Roller Spring	19 - 13
AA06 3529	Pressure Spring - 14.5mm	9 - 5
AA06 3529	Pressure Spring - 14.5mm	7 - 19
AA08 2058	Bushing - 6x10x9mm	19 - 6
AA08 2101	Bushing - 6x10x6	15 - 3
AA08 2101	Bushing - 6x10x6	27 - 15
AA08 2101	Bushing - 6x10x6	11 - 1
AA08 2101	Bushing - 6x10x6	7 - 1
AA08 2101	Bushing - 6x10x6	9 - 27
AA08 2101	Bushing - 6x10x6	17 - 2
AA08 2104	Bushing - 8x12x7	23 - 5
AA10 0011	Retaining Ring:Silencer:Mm7	23 - 8
AA13 2024	Spacer - M6	27 - 21
AA13 2169	Spacer - 5.7x16x1.5	33 - 8
AA14 3702	Screw: Pin: Positioning	39 - 6
AA14 3702	Screw: Pin: Positioning	29 - 14
AA14 3702	Screw: Pin: Positioning	27 - 7
AA14 3790	Screw: Contact Point	21 - 14
AA14 3790	Screw: Contact Point	23 - 3
AA14 3790	Screw: Contact Point	33 - 5
AA14 3790	Screw: Contact Point	25 - 16
AA14 3790	Screw: Contact Point	7 - 20
AA14 3790	Screw: Contact Point	11 - 3
AA14 3790	Screw :Contact Point	35 - 4
AA14 3823	Tapping Screw	15 - 4
AA16 1099	Lever Cushion	19 - 14
AB03 0278	Idler - 20z	25 - 17
AB03 0374	Timing Pulley - 20Z	7 - 23
AB03 0374	Timing Pulley - 20Z	5 - 17
AF02 2147	Driven Roller	17 - 5
AF02 2147	Driven Roller	19 - 27
AF02 2147	Driven Roller	7 - 10
AF02 2148	Roller: Driven :L=125	5 - 21
AG07 0512	Magnet Catch : Ass'y	3 - 12
AG07 0513	Magnet Catch	5 - 14

Part No.	Description	Page and Index No.
AG07 0513	Magnet Catch	11 - 8
AG07 0514	Magnet Catch	17 - 8
AG07 0514	Magnet Catch	7 - 16
AG07 0514	Magnet Catch	9 - 10
AG07 1012	Magnet Catch:Ass'y	33 - 24
AH01 2030	Caster:Dia50:400n	39 - 7
AJ01 1015	Stapler:EH-530	27 - 24
AW01 0109	Photo Reflection Sensor:Ps117ed1	13 - 6
AW02 0114	Photo Interrupter - Lower Limit	29 - 2
AW02 0141	Photo Interrupter	27 - 3
AW02 0141	Photo Interrupter	23 - 20
AW02 0141	Photo Interrupter	15 - 21
AW02 0141	Photo Interrupter	31 - 17
AW02 0141	Photo Interrupter	13 - 17
AW02 0166	Photo Interrupter Paper Feed Sensor	21 - 6
AW02 0172	Photo Interrupter Overflow CT	7 - 3
AX06 0282	DC Motor:25.1W	31 - 12
GW01 0007	Photo Reflection Sensor:Exit	25 - 9
GW01 0007	Photo Reflection Sensor:Exit	7 - 8
GW01 0007	Photo Reflection Sensor:Exit	5 - 22
GW01 0007	Photo Reflection Sensor:Exit	17 - 13

Part No.	Description	Page and Index No.
0353 0040N	Screw - M3X4	35 - 103
0353 0040N	Screw - M3X4	19 - 103
0353 0040N	Screw - M3X4	11 - 103
0353 0040N	Screw - M3X4	31 - 102
0353 0050N	Screw-m3x5	27 - 104
0353 0060N	Bind Screw - M3x6	31 - 103
0450 3008N	Tapping Screw - M3x8	25 - 103
0450 3008N	Tapping Screw - M3x8	9 - 104
0450 3008N	Tapping Screw - M3x8	17 - 103
0451 3006N	Tapping Screw - 3x6	5 - 101
0451 3006N	Tapping Screw - 3x6	19 - 101
0451 3006N	Tapping Screw - 3x6	17 - 102
0451 3006N	Tapping Screw - 3x6	3 - 102
0451 3006N	Tapping Screw - 3x6	21 - 103
0451 3006N	Tapping Screw - 3x6	23 - 101
0451 3006N	Tapping Screw - 3x6	15 - 101
0451 3006N	Tapping Screw - 3x6	25 - 101
0451 3006N	Tapping Screw - 3x6	27 - 101
0451 3006N	Tapping Screw - 3x6	13 - 101
0451 3006N	Tapping Screw - 3x6	29 - 101
0451 3006N	Tapping Screw - 3x6	7 - 101
0451 3006N	Tapping Screw - 3x6	11 - 101
0451 3006N	Tapping Screw - 3x6	31 - 101
0451 3006N	Tapping Screw - 3x6	35 - 101
0451 3006N	Tapping Screw - 3x6	39 - 101
0451 3006N	Tapping Screw - 3x6	37 - 101
0451 3006N	Tapping Screw - 3x6	9 - 102
0451 3006N	Tapping Screw - 3x6	33 - 101
0451 3008N	Tapping Screw - M3x8	3 - 101
0451 3008N	Tapping Screw - M3x8	35 - 102
0451 3008N	Tapping Screw - M3x8	17 - 101
0451 3008N	Tapping Screw - M3x8	19 - 102
0451 3008N	Tapping Screw - M3x8	33 - 102
0451 3008N	Tapping Screw - M3x8	21 - 101
0451 3008N	Tapping Screw - M3x8	29 - 102

Part No.	Description	Page and Index No.
0451 3008N	Tapping Screw - M3x8	9 - 101
0451 3008N	Tapping Screw - M3x8	25 - 102
0451 3008N	Tapping Screw - M3x8	39 - 102
0451 3008N	Tapping Screw - M3x8	27 - 102
0451 3010N	Tapping Screw:3x10	23 - 102
0451 4006N	Tapping Screw - 4x6	15 - 102
0451 4014N	Tapping Screw:M4x14	3 - 104
0453 3006N	Tapping Screw - M3x6	35 - 104
0453 3006N	Tapping Screw - M3x6	21 - 102
0453 3006N	Tapping Screw - M3x6	25 - 104
0453 3006N	Tapping Screw - M3x6	27 - 103
0453 3006N	Tapping Screw - M3x6	23 - 103
0454 3006Q	Tapping Screw - M3x6	5 - 102
0454 3006Q	Tapping Screw - M3x6	7 - 102
0454 3008Q	Tapping Screw:3x8	3 - 103
0454 3008Q	Tapping Screw:3x8	11 - 102
0454 4008Q	Tapping Screw - M4x8	39 - 104
0574 0040E	Hexagon Headless Set Screw - M4x4	31 - 104
0632 0100G	Pin - 2x10mm	15 - 104
0632 0160G	Parallel Pin-m2x16	23 - 105
0634 0200G	Parallel Pin - 4x20	29 - 105
0720 0040E	Retaining Ring - M4	13 - 102
0720 0040E	Retaining Ring - M4	33 - 103
0720 0040E	Retaining Ring - M4	23 - 104
0720 0040E	Retaining Ring - M4	15 - 103
0720 0040E	Retaining Ring - M4	9 - 105
0720 0040E	Retaining Ring - M4	7 - 103
0720 0040E	Retaining Ring - M4	27 - 106
0720 0040E	Retaining Ring - M4	5 - 103
0720 0040E	Retaining Ring - M4	21 - 104
0720 0040E	Retaining Ring - M4	11 - 104
0720 0040E	Retaining Ring - M4	29 - 103
0720 0040E	Retaining Ring - M4	19 - 105
0720 0040E	Retaining Ring - M4	17 - 104
0720 0040E	Retaining Ring - M4	25 - 105

Part No.	Description	Page and Index No.
0720 0060E	Retaining Ring - M6	31 - 106
0720 0060E	Retaining Ring - M6	27 - 105
0720 0060E	Retaining Ring - M6	25 - 106
0720 0060E	Retaining Ring - M6	23 - 106
0720 0060E	Retaining Ring - M6	29 - 104
0740 3008	Ball Bearing - 8x22x7	27 - 108
0741 3506	Ball Bearing - 6x12x4 Mm	31 - 105
0805 0088	Retaining Ring - M6	11 - 106
0805 0089	Retaining Ring - M4	9 - 103
0805 0089	Retaining Ring - M4	7 - 104
0805 0089	Retaining Ring - M4	15 - 106
0805 0089	Retaining Ring - M4	13 - 103
0805 0089	Retaining Ring - M4	19 - 104
0805 0089	Retaining Ring - M4	33 - 104
0805 3537	Ball Bearing:Dia6xdia13x5:Dia14.5	7 - 105
0805 3537	Ball Bearing:Dia6xdia13x5:Dia14.5	11 - 105
0805 3537	Ball Bearing:Dia6xdia13x5:Dia14.5	15 - 105
0805 3537	Ball Bearing:Dia6xdia13x5:Dia14.5	17 - 105
0807 5056	Washer - 8.1mm	31 - 107
0950 3005N	Screw: Spring Washer:M3X5	39 - 103
1105 0192	Locking Support	37 - 105
1105 0328	Harness Clamp - ES-0505	29 - 107
1105 0328	Harness Clamp - ES-0505	7 - 106
1105 0328	Harness Clamp - ES-0505	15 - 107
1105 0328	Harness Clamp - ES-0505	31 - 108
1105 0328	Harness Clamp - ES-0505	27 - 110
1105 0328	Harness Clamp - ES-0505	23 - 108
1105 0328	Harness Clamp - ES-0505	13 - 104
1105 0334	Edge - 17	25 - 109
1105 0334	Edge - 17	35 - 106
1105 0367	Spacer	37 - 107
1105 0487	Harness Clamp	37 - 103
1105 0487	Harness Clamp	27 - 109
1105 0487	Harness Clamp	21 - 107
1105 0487	Harness Clamp	15 - 110

Part No.	Description	Page and Index No.
1105 0487	Harness Clamp	25 - 110
1105 0488	Harness Clamp	25 - 108
1105 0488	Harness Clamp	35 - 105
1105 0488	Harness Clamp	21 - 108
1105 0488	Harness Clamp	33 - 105
1105 0488	Harness Clamp	37 - 104
1105 0488	Harness Clamp	29 - 106
1105 0489	Harness Clamp - LWS 1316	21 - 106
1105 0490	Harness Clamp - IWS-2218	33 - 106
1105 0490	Harness Clamp - IWS-2218	29 - 108
1105 0516	Clamp	17 - 106
1105 0516	Clamp	13 - 105
1105 0516	Clamp	11 - 107
1105 0516	Clamp	21 - 109
1105 0516	Clamp	27 - 111
1105 0516	Clamp	5 - 104
1105 0516	Clamp	37 - 102
1105 0623	Clamp - LBWS-0206S-V0	17 - 107
1105 0623	Clamp - LBWS-0206S-V0	19 - 106
1105 0623	Clamp - LBWS-0206S-V0	39 - 105
1105 0623	Clamp - LBWS-0206S-V0	37 - 106
1105 0623	Clamp - LBWS-0206S-V0	15 - 108
1105 0623	Clamp - LBWS-0206S-V0	29 - 109
1105 0623	Clamp - LBWS-0206S-V0	21 - 105
1105 0623	Clamp - LBWS-0206S-V0	23 - 107
1105 0623	Clamp - LBWS-0206S-V0	13 - 106
1105 0623	Clamp - LBWS-0206S-V0	25 - 107
1105 0623	Clamp - LBWS-0206S-V0	31 - 109
1105 0623	Clamp - LBWS-0206S-V0	27 - 107
1204 2520	Switch:DE2L-FJ20	15 - 109
1204 2541	Interlock Switch	5 - 105

Part No.	Description	Page and Index No.
5201 2722	Bushing - M6x5	9 - 22
5206 2686	Snap Ring	25 - 24
5447 2681	Snap Ring	13 - 23
5447 2681	Snap Ring	25 - 1

Part No.	Description	Page and Index No.
----------	-------------	--------------------