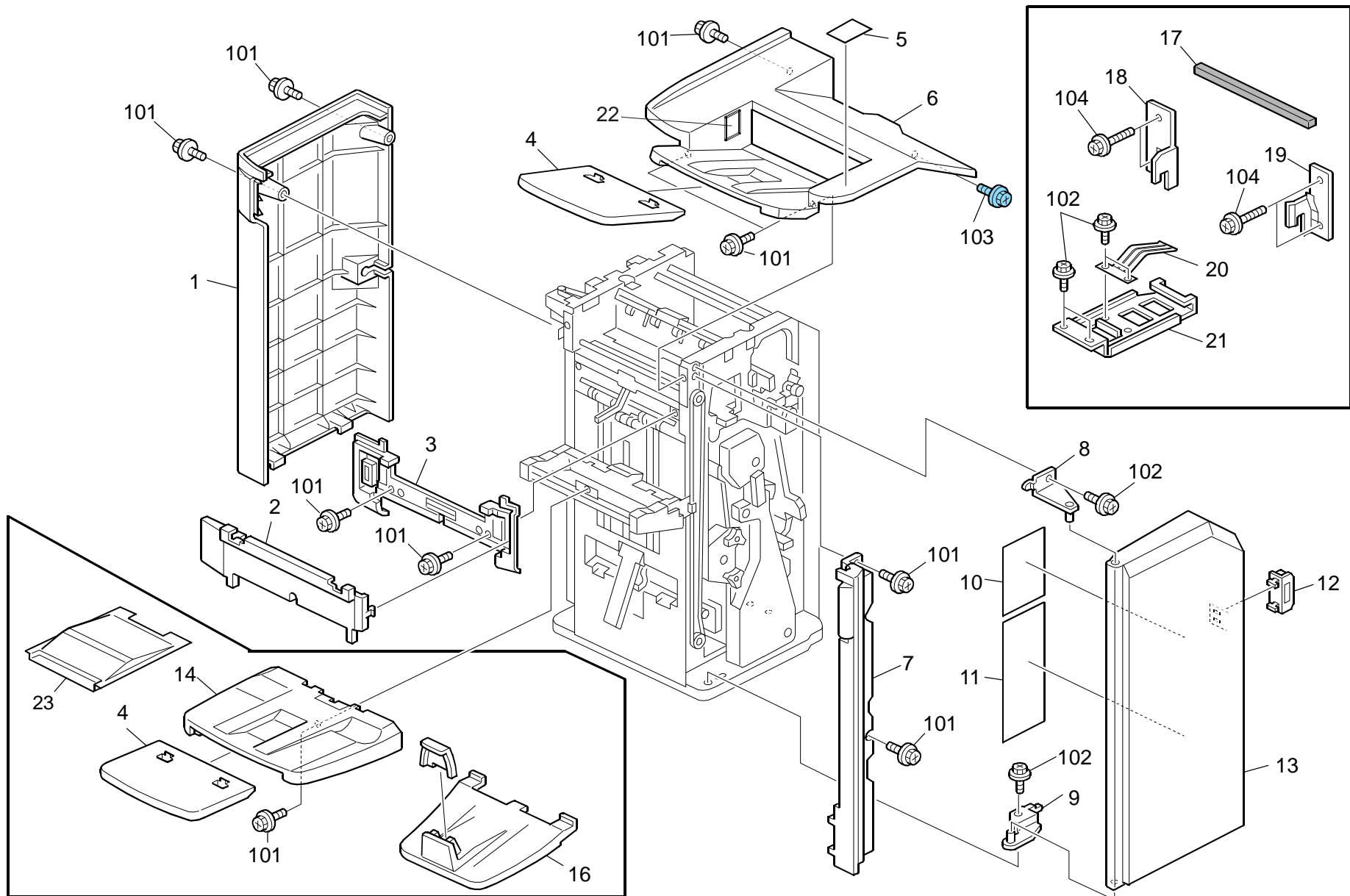


**BOOKLET FINISHER SR3020
B804
PARTS LOCATION AND LIST**

This section instructs you as to the numbers and names of parts on this machine

1.Exterior (B804)

Rev. 04/12/2012



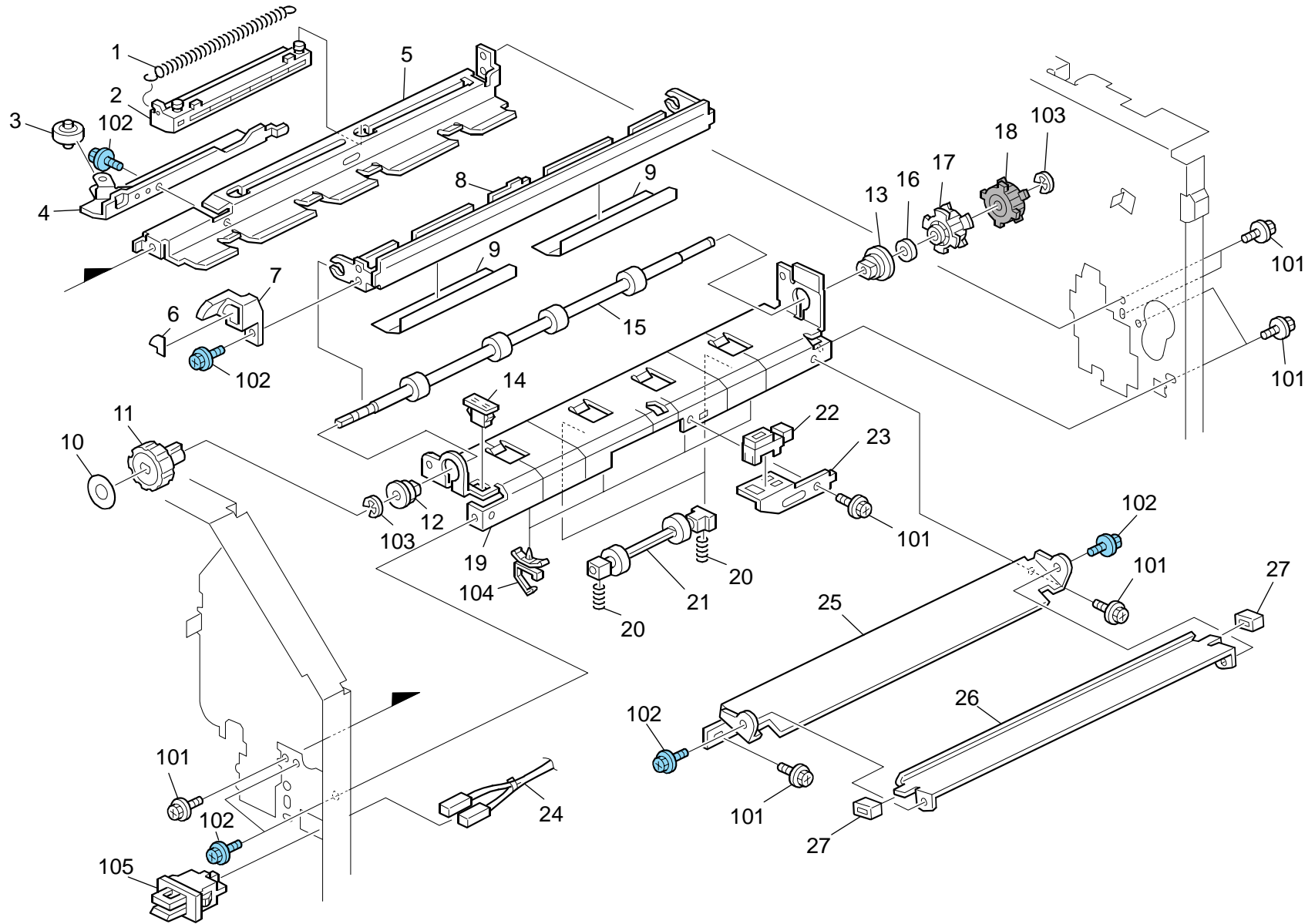
1.Exterior (B804)

Rev. 04/12/2012

Index No.	Part No.	Description	Q'ty Per Assembly
1	B804 6175	Cover: Rear	1
2	B804 6156	Cover: Jogger	1
3	B804 6151	Cover: Left Upper	1
4	B700 3420	Tray: Auxiliary	2
5	B468 7812	Caution Decal - Tray Fall	1
6	B804 6135	Cover: Upper	1
7	B804 6145	Cover: Left: Front	1
8	B700 6125	Hinge: Door: Upper: Ass'y	1
9	B700 6120	Hinge: Door: Lower: Ass'y	1
10	B804 7850	Decal: Misfeed Removal Bind: Yes	1
11	B700 7851	Decal: Staple Exchange	1
12	AG07 0512	Magnet Catch: Ass'y	1
13	B804 6115	Cover: Front	1
14	B804 3427	Tray	1
15			
16	D373 3851	Tray: Paper Crimp Sub-Unit: Ass'y	1
17	B793 6201	Spacer Cushion - 20mm	1
18	B700 1191	Bracket: Coupling: Ass'y	1
19	B700 1198	Coupling Bracket - Front	1
20	B408 1428	Ground Plate: Coupling	1
21	B804 1164	Bracket: Ground Plate: Coupling	1
22	B804 7813	Decal: Caution: Proof Tray: Paper Exit Sub-Unit [TSB#005]	1
23	B700 6141	Proof Tray: Auxiliary	1

Index No.	Part No.	Description	Q'ty Per Assembly
101	0451 3008N	Tapping Screw - M3x8	
102	0451 3006N	Tapping Screw - 3x6	
103	0454 3008Q	Tapping Screw: 3x8	
104	0451 4014N	Tapping Screw: M4x14	

2.Paper Transfer (B804)



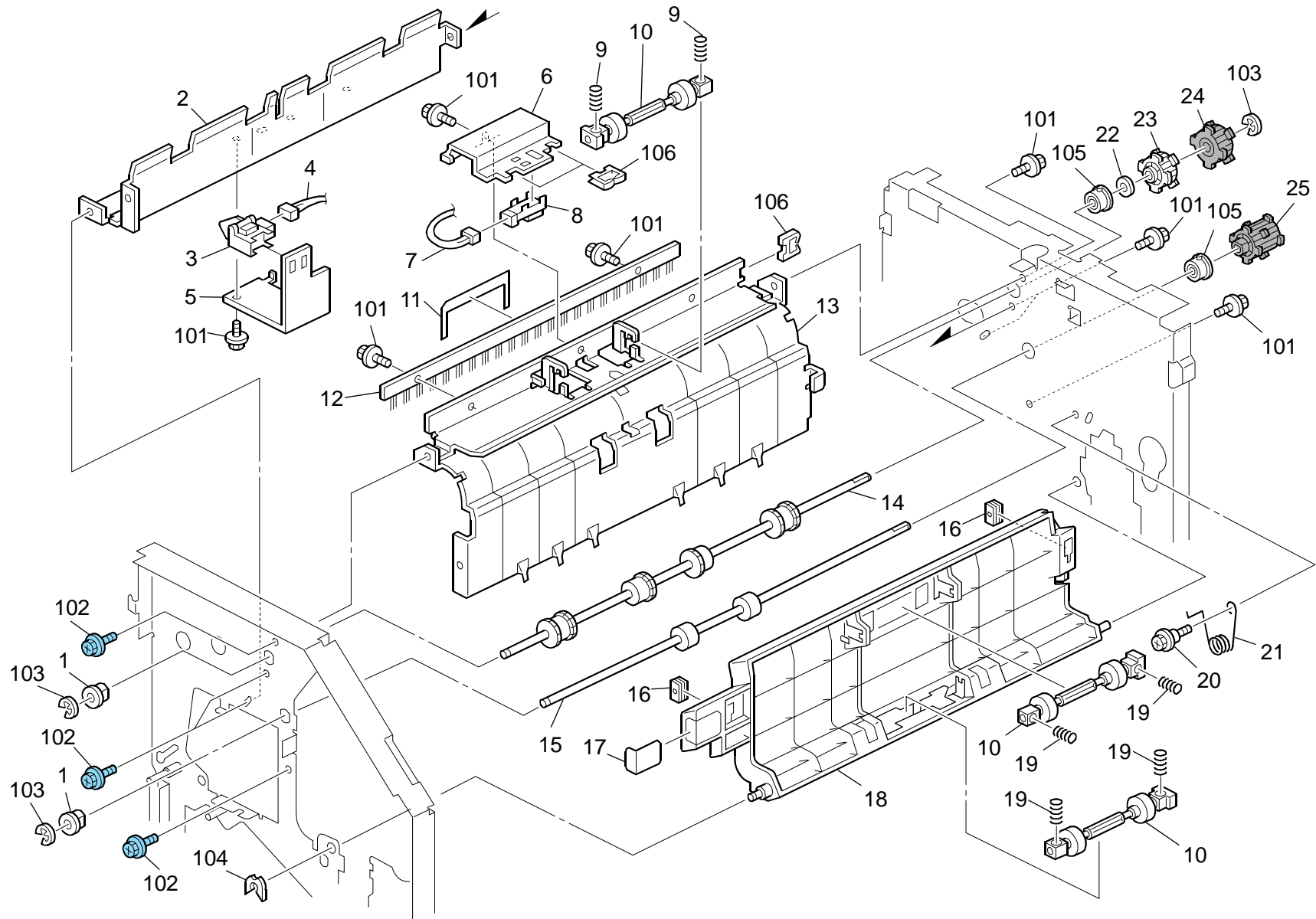
2.Paper Transfer (B804)

Rev. 11/4/2011

Index No.	Part No.	Description	Q'ty Per Assembly
1	B700 2200	Tension Spring: Guide Plate: Move	1
2	B700 2215	Guide Plate: Upper: Move	1
3	A666 4270	Roller: Driven: Entrance	1
4	B804 2205	Guide Plate: Upper	1
5	B804 2210	Guide Plate: Transport: Entrance: Upper	1
6	B700 7861	Decal: Knob: Entrance: R1	1
7	B700 2125	Knob: Guide Plate: Entrance	1
8	B804 2121	Guide Plate: Entrance: Upper Open and Close [TSB#001]	1
9	B700 2126	Sheet: Entrance	2
10	B700 7862	Decal: Knob: Entrance: R2	1
11	B408 2281	Knob - Transfer Roller	1
12	B700 2135	Bushing: Transport Roller: Front	1
13	C309 2140	Pln Shaft Bearing: Trans Roller: Ent: Rear: Ass'y	1
14	AG07 0513	Magnet Catch	2
15	B804 2131	Transport Roller: Entrance: Upper	1
16	A697 1606	Spacer - 6x12x2.7mm	2
17	AB03 0374	Timing Pulley - 20Z	2
18	B700 1605	Timing Pulley: 26T	2
19	B804 2110	Guide Plate: Entrance: Lower	1
20	B700 2119	Compression Spring: Entrance: Driven	4
21	AF02 2148	Roller: Driven: L=125	2
22	GW01 0007	Photo Reflection Sensor: Exit	6
23	B700 2145	Bracket: Entrance Sensor	1
24	B700 5301	Harness: Safety Switch	1
25	B804 2106	Guide Plate: Connecting: Lower [TSB#001]	1
26	B804 2101	Guide Plate: Connecting: Upper [TSB#001]	1
27	B804 2729	Cushion: Arm	3

Index No.	Part No.	Description	Q'ty Per Assembly
101	0451 3006N	Tapping Screw - 3x6	
102	0454 3006Q	Tapping Screw - M3x6	
103	0720 0040E	Retaining Ring - M4	
104	1105 0516	Clamp	
105	1204 2844	Interlock Switch	

3.Shift Transfer Section 1 (B804)



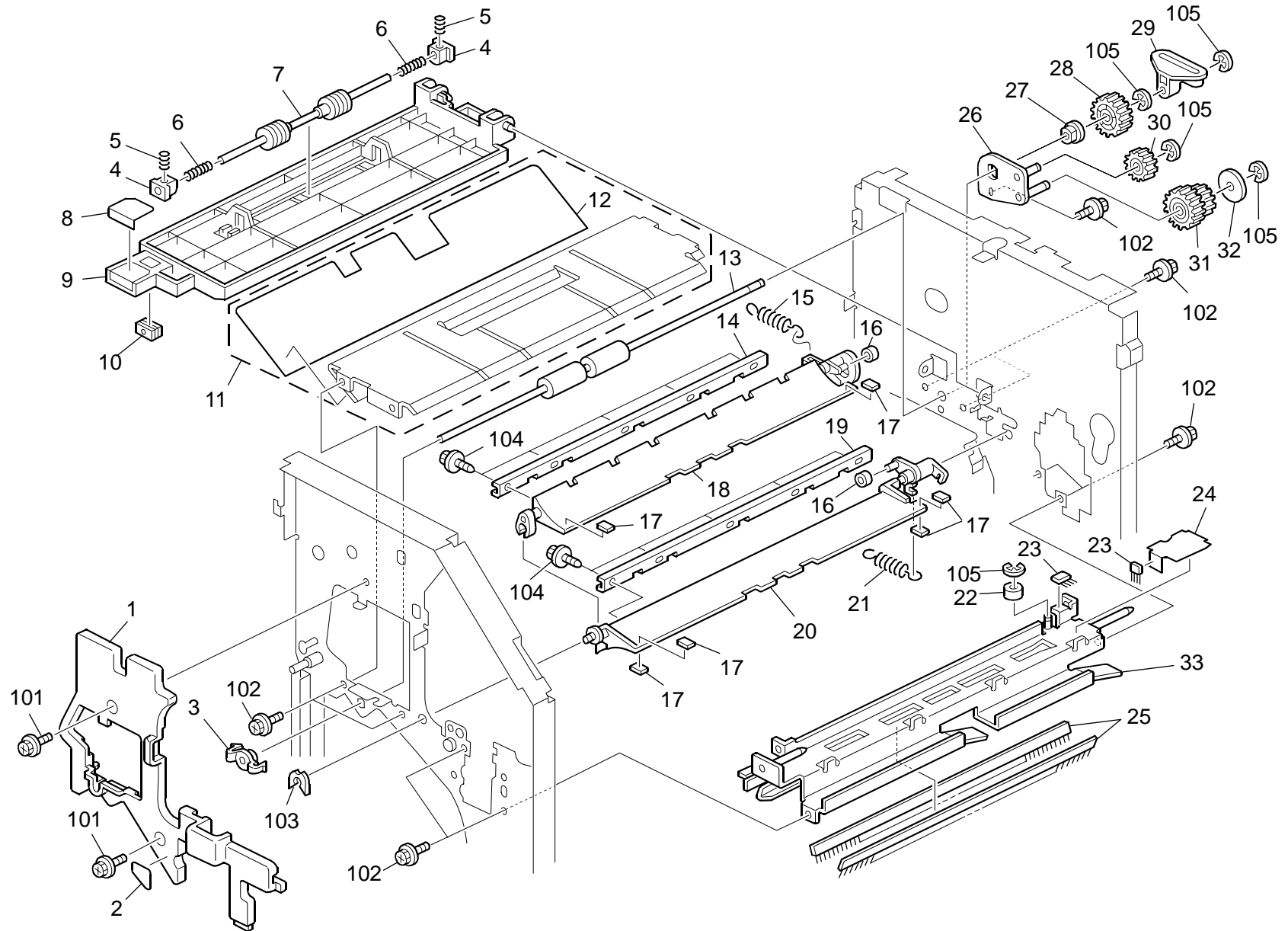
3.Shift Transfer Section 1 (B804)

Rev. 02/13/2012

Index No.	Part No.	Description	Q'ty Per Assembly
1	AA08 2101	Bushing - 6x10x6	18
2	B700 2330	Guide Plate: Exit: Proof Tray	1
3	AW02 0172	Photo Interrupter: Overflow: CT	1
4	B700 5365	Harness: Connecting: Sensor	1
5	B700 2331	Bracket: Photo Interrupter: Overflow	1
6	B700 2320	Bracket: Sensor: Proof Tray	1
7	B700 5366	Harness: Connecting: Sensor	1
8	GW01 0007	Photo Reflection Sensor: Exit	6
9	A697 2187	Pressure Spring - 14.1mm	2
10	B804 2147	Roller: Driven: 99 mm	7
11	B302 2216	Exit Guide - Upper Exit Guide	1
12	B700 2317	Discharge Brush	1
13	B700 2310	Guide Plate: Proof Tray: Ass'y	1
14	B700 2300	Exit Roller: Proof Tray	1
15	B700 2325	Transport Roller: Long	2
16	AG07 0514	Magnet Catch	6
17	B700 7863	Decal: Proof Tray: R3	1
18	B700 2315	Guide Plate: Proof Tray	1
19	AA06 3529	Pressure Spring - 14.5mm	8
20	B830 1135	Screw: Contact Point	15
21	B700 2316	Torsion Spring	1
22	A697 1606	Spacer - 6x12x2.7mm	2
23	AB03 0374	Timing Pulley - 20Z	2
24	B700 1605	Timing Pulley: 26T	2
25	B700 1645	Timing Pulley: 20T	2

Index No.	Part No.	Description	Q'ty Per Assembly
101	0451 3006N	Tapping Screw - 3x6	
102	0454 3006Q	Tapping Screw - M3x6	
103	0720 0040E	Retaining Ring - M4	
104	0805 0089	Retaining Ring - M4	
105	0805 3537	Ball Bearing: Dia6xdia13x5: Dia14.5	
106	1105 0328	Harness Clamp - ES-0505	

4.Shift Transfer Section 2 (B804)



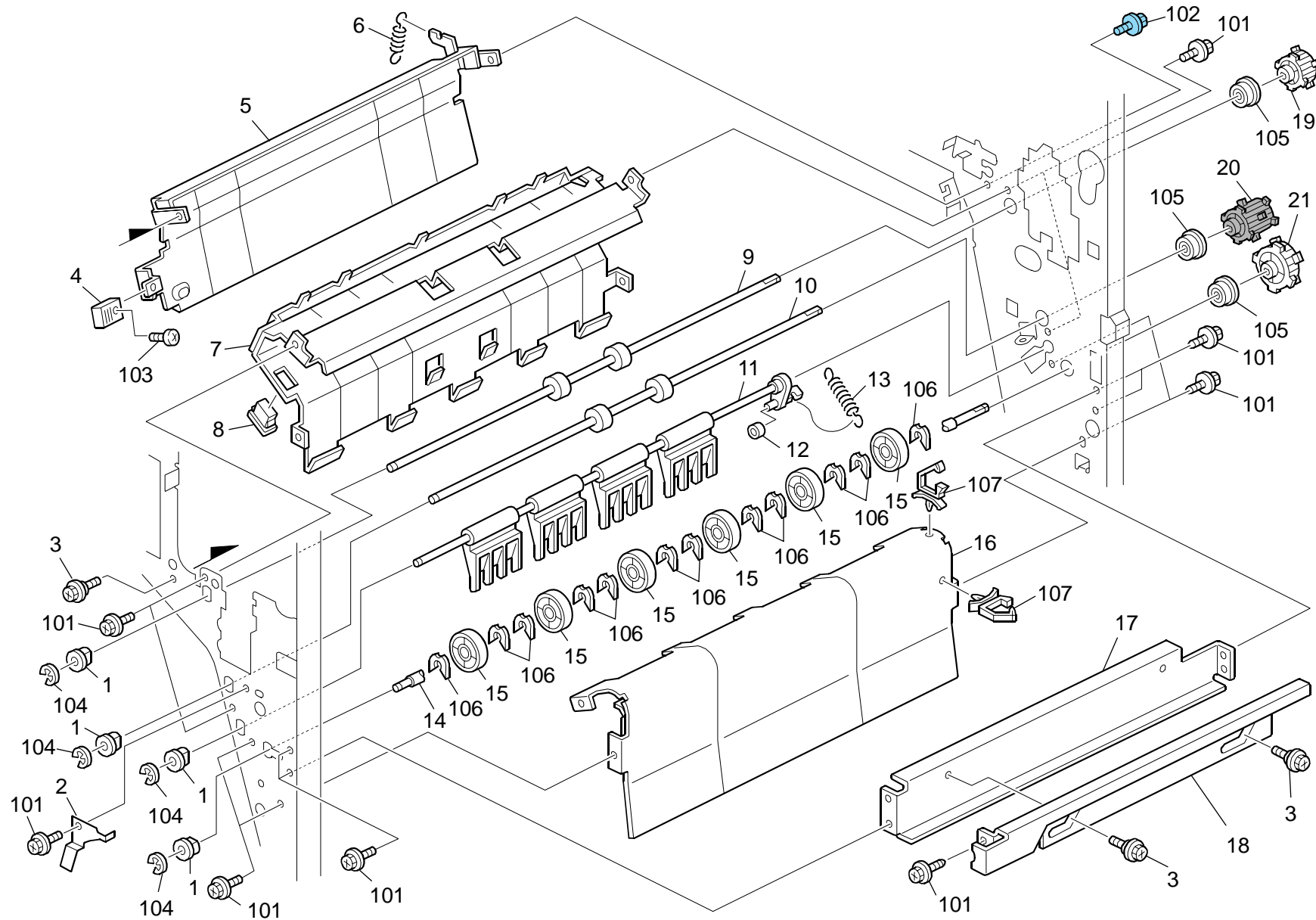
4.Shift Transfer Section 2 (B804)

Rev. 06/05/2012

Index No.	Part No.	Description	Q'ty Per Assembly
1	B700 6102	Inner Cover: Upper	1
2	B700 7867	Decal: Turn: Open And Close: R7	1
3	B408 2312	Bushing - Roller Slide	1
4	B408 2175	Bushing - Roller Slide	2
5	AA06 3529	Pressure Spring - 14.5mm	8
6	B408 2174	Spring	2
7	B408 2173	Slide Roller	1
8	B700 7864	Decal: Shift: R4	1
9	B804 2245	Guide Plate: Horizontal: Shift	1
10	AG07 0514	Magnet Catch	6
11	B804 2037	Guide Plate: Horizontal: Lower	1
12	B700 2241	Sheet: Guide: Staple	1
13	B700 2220	Transport Roller: Shift	1
14	B700 2525	Supporting Plate: Gate Pawl	1
15	B700 2545	Tension Spring	1
16	A458 2251	Cushion - Bin Solenoid Lever	7
17	B700 2520	Cushion: Gate Pawl	10
18	B700 2505	Gate Pawl: Proof Tray	1
19	B700 2530	Supporting Plate: Gate Pawl: Staple	1
20	B700 2500	Gate Pawl: Staple	1
21	B700 2540	Tension Spring	1
22	5201 2722	Bushing - M6x5	1
23	B804 1180	Discharge Brush: Punch Unit	2
24	B700 1183	Sheet: Guide: Punch	1
25	B804 1182	Discharge Brush: Punch: Transport	2
26	B700 1660	Bracket: Gear: Middle: Ass'y	1
27	AA08 2101	Bushing - 6x10x6	18
28	B700 2225	Gear: 30Z	1
29	B793 2321	Slide Roller Link	1
30	B700 1665	Gear: 25Z	1
31	B700 1650	Gear: 30Z	1
32	B478 3569	Spacer	3
33	B700 1170	Stay: Punch Unit: Slide: Ass'y	1

Index No.	Part No.	Description	Q'ty Per Assembly
101	0451 3008N	Tapping Screw - M3x8	
102	0451 3006N	Tapping Screw - 3x6	
103	0805 0089	Retaining Ring - M4	
104	0450 3008N	Tapping Screw - M3x8	
105	0720 0040E	Retaining Ring - M4	

5.Shift Transfer Section 3 (B804)



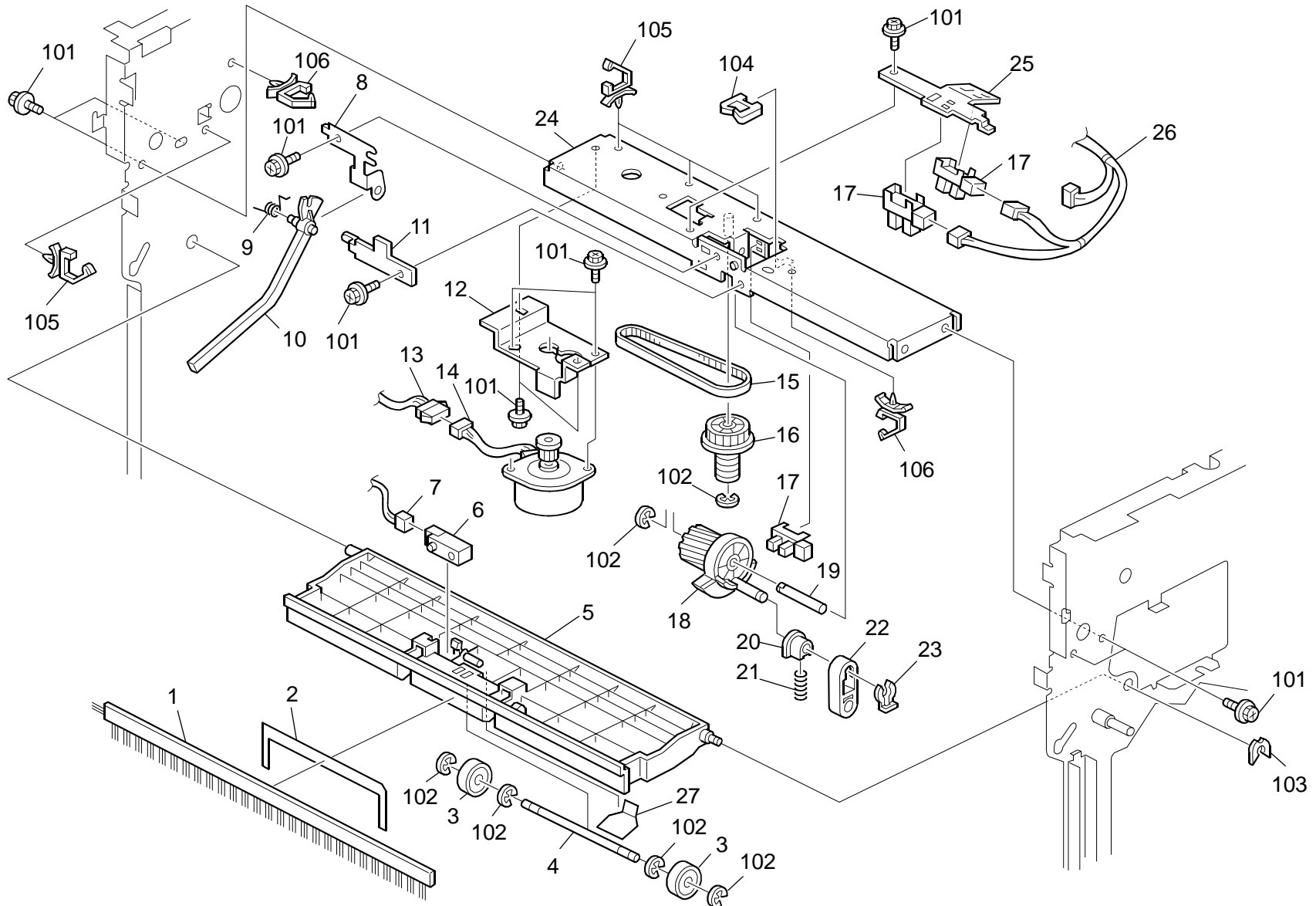
5.Shift Transfer Section 3 (B804)

Rev. 08/13/2008

Index No.	Part No.	Description	Q'ty Per Assembly
1	AA08 2101	Bushing - 6x10x6	18
2	B700 1185	Ground Plate:Toner Hopper:Punch	1
3	AA14 3790	Screw:Contact Point	15
4	A353 2243	Lever Knob	1
5	B700 2421	Guide Plate:Turn:Open And Close	1
6	B700 2422	Tension Spring:Turn:Open And Close	1
7	B700 2411	Guide Plate:Turn:Ass'y	1
8	AG07 0513	Magnet Catch	2
9	B700 2305	Transport Roller:Short	1
10	B700 2325	Transport Roller:Long	2
11	B700 2431	Polarization Powl:Duplex Stack	1
12	A458 2251	Cushion - Bin Solenoid Lever	7
13	B700 2432	Tension Spring	1
14	B700 2452	Shaft:Turn:Guide	1
15	B700 2453	Guide:Turn	6
16	B804 2441	Guide Plate:Duplex Stack <i>[TSB#001]</i>	1
17	B700 1151	Stay:Coupling	1
18	A697 1128	Joint Lever	1
19	B352 1607	Timing Pulley - T20-S3M	5
20	B700 1645	Timing Pulley:20T	2
21	B700 1701	Timing Pulley:40T	1

Index No.	Part No.	Description	Q'ty Per Assembly
101	0451 3006N	Tapping Screw - 3x6	
102	0454 3008Q	Tapping Screw:3x8	
103	0353 0040N	Screw - M3X4	
104	0720 0040E	Retaining Ring - M4	
105	0805 3537	Ball Bearing:Dia6xdia13x5:Dia14.5	
106	0805 0088	Retaining Ring - M6	
107	1105 0516	Clamp	

6.Paper Exit 1 (B804)

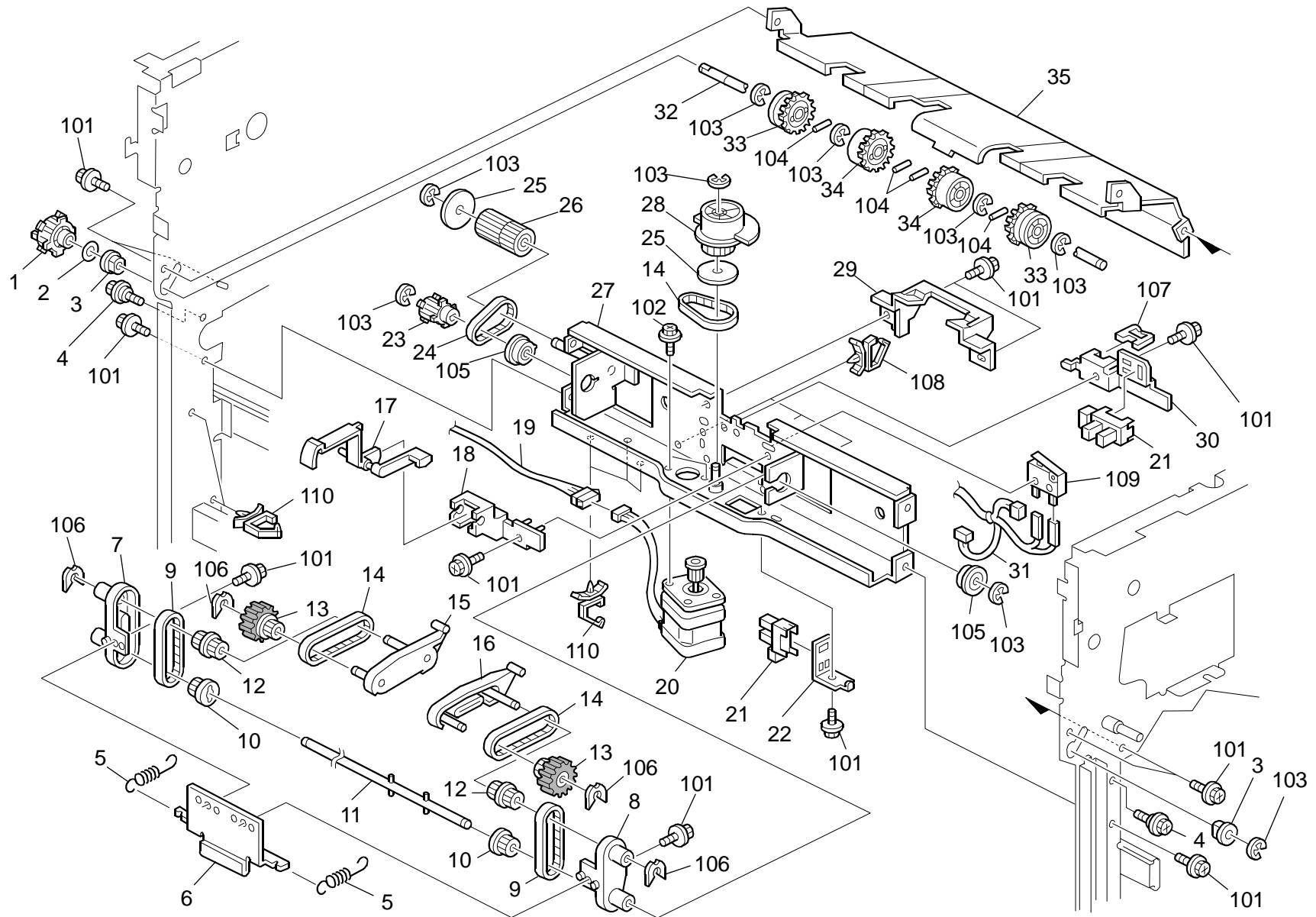


6.Paper Exit 1 (B804)

Index No.	Part No.	Description	Q'ty Per Assembly
1	B700 3156	Discharge Brush	1
2	G565 2135	Exit Plate	1
3	A681 2742	Driven Exit Roller	2
4	B700 3157	Shaft:Exit Roller:Driven	1
5	B700 3155	Guide Plate:Exit:Upper	1
6	AW01 0109	Photo Reflection Sensor:Ps117ed1	2
7	B700 5373	Harness:Connecting:Sensor	1
8	A353 3172	Actuator Bracket	1
9	A353 3173	Pressure Spring	1
10	B302 1145	Actuator - Paper Height Sensor	1
11	B700 3145	Bracket:Feeler:Plate	1
12	B700 3105	Bracket:Stepper Motor:Guide Plate	1
13	B700 5311	Harness:Exit:Open And Close:Motor	1
14	B700 5805	Stepper Motor:Pm:S2m:T15:Ass'y	1
15	B700 3125	Timing Belt:B40S2M232	1
16	B700 3115	Worm Gear:37t	1
17	AW02 0141	Photo Interrupter	16
18	B700 3120	Worm Wheel:20z	1
19	B408 2833	Shaft - Worm Wheel	1
20	B700 3130	Bushing:Joint	1
21	B700 3140	Compression Spring	1
22	B700 3135	Joint:Guide Plate:Open And Close	1
23	5447 2681	Snap Ring	9
24	B700 3100	Stay:Drive:Guide Plate:Ass'y	1
25	B700 3150	Bracket:Surface Of Paper Sensor	1
26	B700 5361	Harness:Connecting:Sensor:Exit	1
27	B804 4405	Guide:Leading Edge:Middle	1

Index No.	Part No.	Description	Q'ty Per Assembly
101	0451 3006N	Tapping Screw - 3x6	
102	0720 0040E	Retaining Ring - M4	
103	0805 0089	Retaining Ring - M4	
104	1105 0328	Harness Clamp - ES-0505	
105	1105 0516	Clamp	
106	1105 0623	Clamp - LBWS-0206S-V0	

7.Paper Exit 2 (B804)



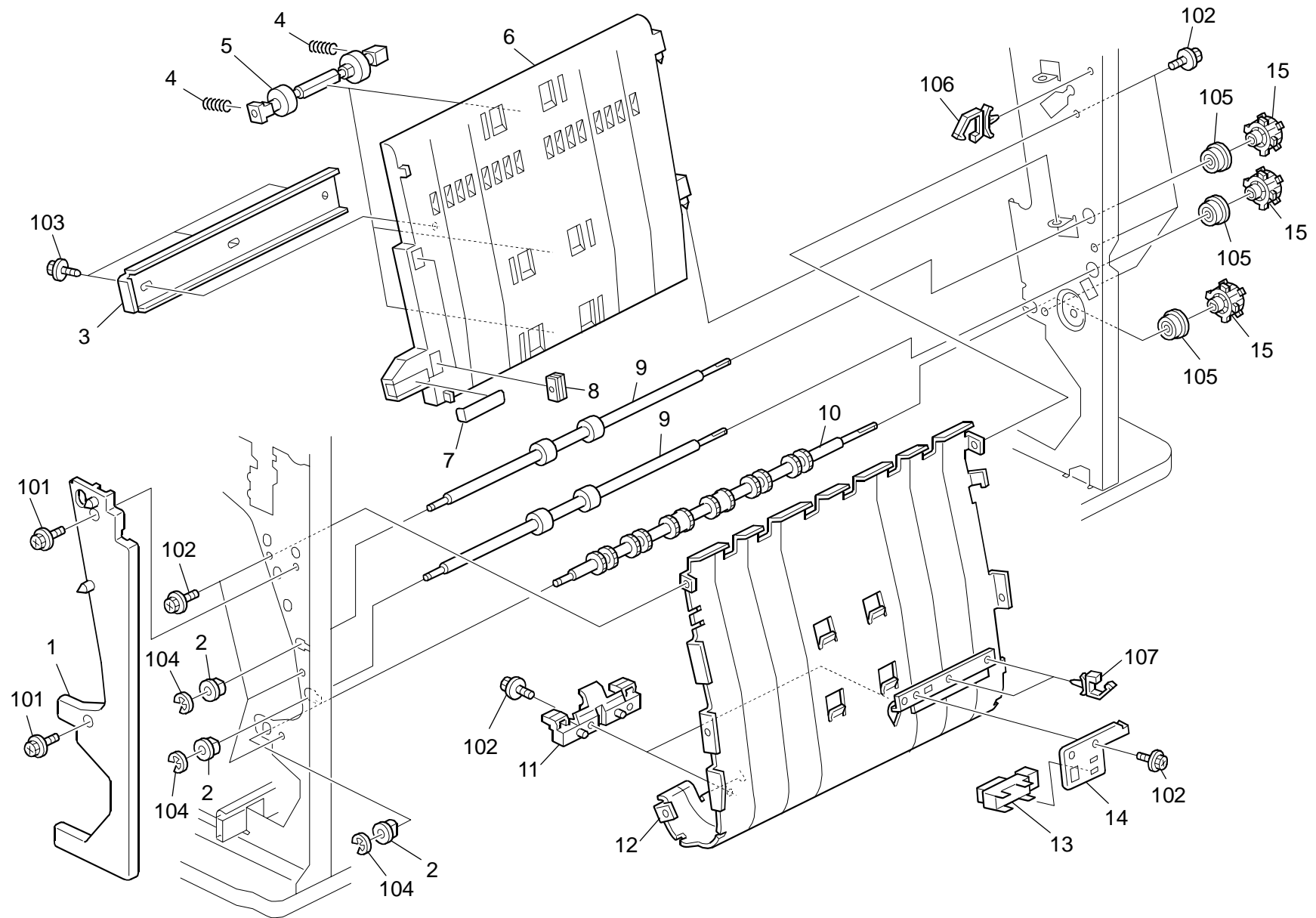
7.Paper Exit 2 (B804)

Rev. 12/7/2010

Index No.	Part No.	Description	Q'ty Per Assembly
1	B352 1607	Timing Pulley - T20-S3M	5
2	H072 2220	Spacer - M6x10	1
3	AA08 2101	Bushing - 6x10x6	18
4	AA14 3823	Tapping Screw	2
5	B700 3545	Tension Spring	2
6	B700 3540	Bracket Coupling: Lever: Drive	1
7	B478 3507	Lever: Drive: Gathering Roller: Back	1
8	B478 3506	Lever: Drive: Gathering Roller: Front	1
9	B478 3504	Timing Belt: B40S2M100	2
10	B478 3501	Pulley: Drive: Roller: Sponge	2
11	B700 3515	Shaft: Gathering Roller: Drive: Ass'y	1
12	B478 3502	Pulley: Driven: Roller: Sponge	2
13	B478 3503	Gathering Roller: Sponge	2
14	B700 3535	Timing Belt: B40S2M116	3
15	B700 3530	Lever: Driven: Gathering Roller: Rear	1
16	B700 3525	Lever: Driven: Gathering Roller: Front	1
17	B700 3555	Feeler: Paper Sensor	1
18	B700 3550	Bracket: Feeler: Paper Sensor	1
19	B700 5415	Harness: Drive: Swivel: Motor	2
20	B700 5807	Stepper Motor: Mm42: S2m: T15: Ass'y	1
21	AW02 0141	Photo Interrupter	16
22	B700 3565	Bracket: Home Position Sensor	1
23	B700 3520	Timing Pulley: 18T	1
24	B700 3504	Timing Belt: B40S2M92	1
25	B478 3569	Spacer	3
26	B700 3505	Timing Pulley: 20/30T	1
27	B804 3510	Stay: Uniform: Ass'y [TSB#004]	1
28	B700 3575	Cam: Lever: Drive	1
29	B700 3570	Cam: Gathering Roller	1
30	B700 3560	Bracket: Sensor: Paper Sensor	1
31	B804 5404	Harness: Surface of Paper Sensor [TSB#004]	1
32	B700 3176	Shaft: Exit Roller	1
33	B352 2405	Outer Exit Roller	2
34	B352 2400	Exit Roller	2
35	B804 3161	Guide Plate: Exit: Lower	1

Index No.	Part No.	Description	Q'ty Per Assembly
101	0451 3006N	Tapping Screw - 3x6	
102	0451 4006N	Tapping Screw - 4x6	
103	0720 0040E	Retaining Ring - M4	
104	0632 0100G	Pin - 2x10mm	
105	0805 3537	Ball Bearing: Dia6xdia13x5: Dia14.5	
106	0805 0089	Retaining Ring - M4	
107	1105 0328	Harness Clamp - ES-0505	
108	1105 0623	Clamp - LBWS-0206S-V0	
109	1204 2520	Switch: DE2L-FJ20	
110	1105 0487	Harness Clamp	

8.Staple Transfer Section 1 (B804)



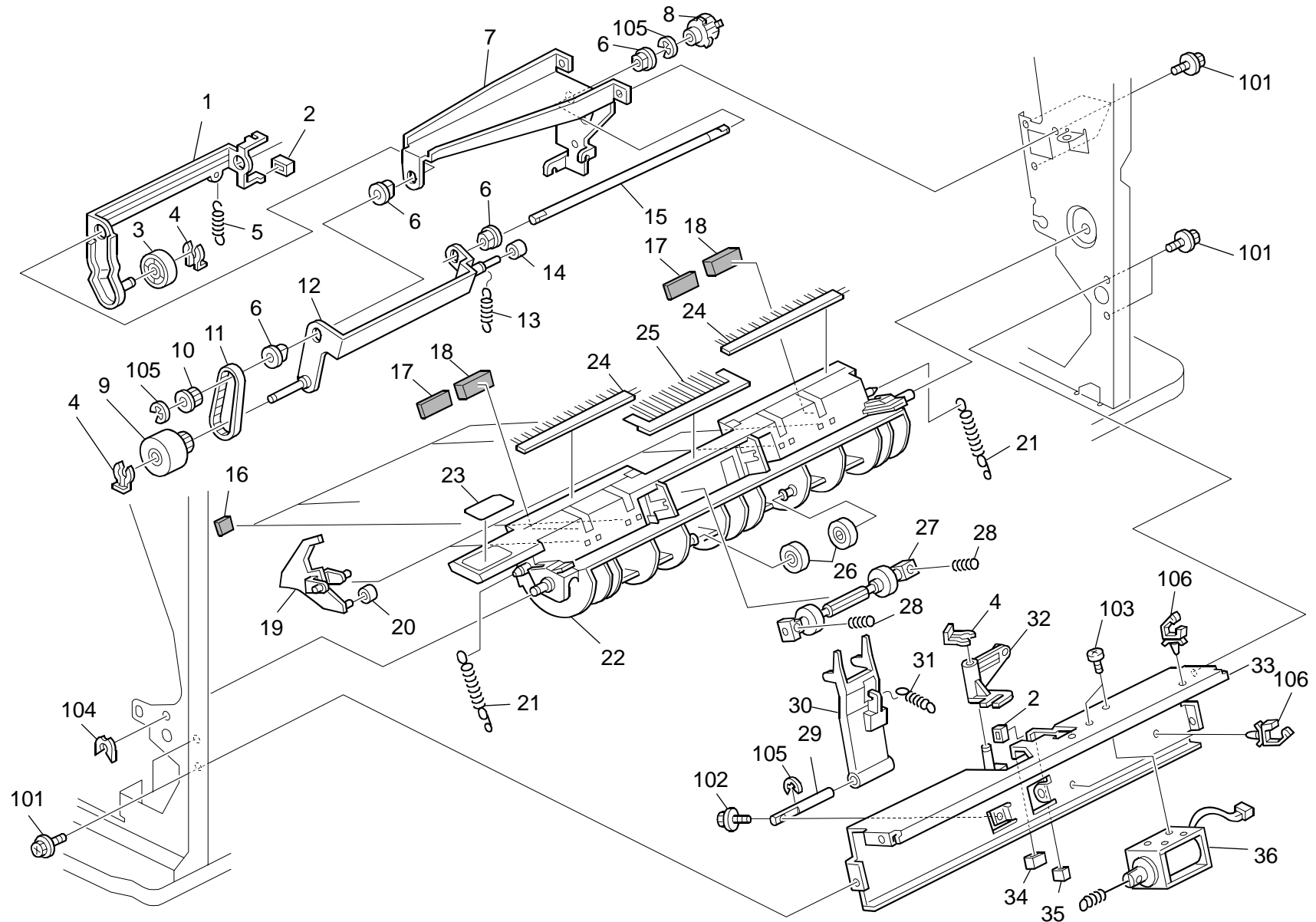
8.Staple Transfer Section 1 (B804)

Rev. 12/7/2012

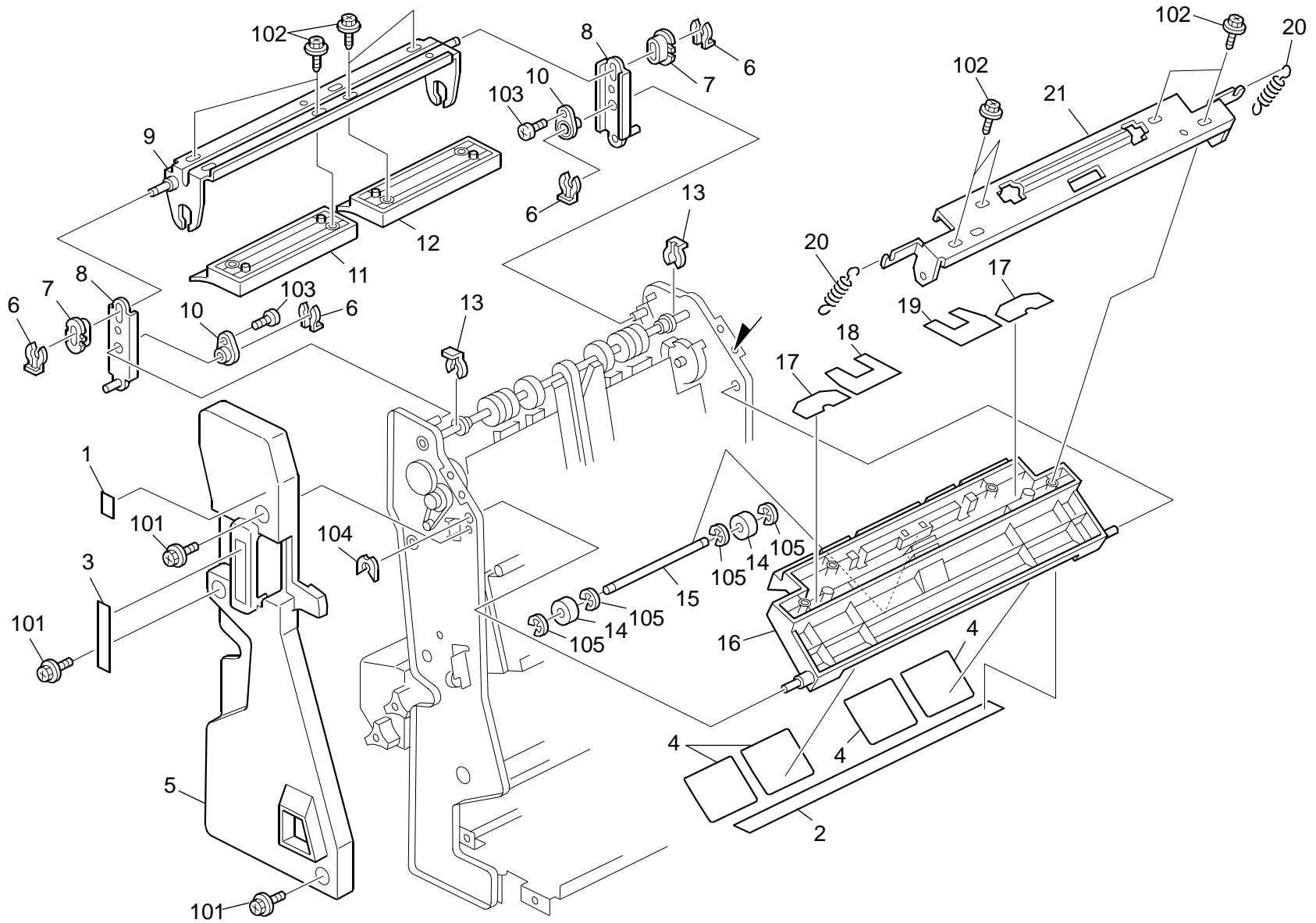
Index No.	Part No.	Description	Q'ty Per Assembly
1	B700 6106	Inner Cover: Lower	1
2	AA08 2101	Bushing - 6x10x6	18
3	A612 2435	Support Plate	1
4	B700 2476	Compression Spring: Exit: Driven	8
5	AF02 2147	Driven Roller	7
6	B700 2471	Guide Plate: Lengthwise	1
7	B700 7865	Decal: Vertical Transport: R5	1
8	AG07 0514	Magnet Catch	6
9	B700 2461	Transport Roller: Duplex Stack: Lower	2
10	B804 2491	Exit Roller: Stapler Tray	1
11	B700 2486	Guide Plate: Exit: Stapler Tray	2
12	B700 2481	Guide Plate: Lengthwise: Ass'y	1
13	GW01 0007	Photo Reflection Sensor: Exit	6
14	B700 2485	Bracket: Sensor: Duplex Tray	1
15	B352 1607	Timing Pulley - T20-S3M	5

Index No.	Part No.	Description	Q'ty Per Assembly
101	0451 3008N	Tapping Screw - M3x8	
102	0451 3006N	Tapping Screw - 3x6	
103	0450 3008N	Tapping Screw - M3x8	
104	0720 0040E	Retaining Ring - M4	
105	0805 3537	Ball Bearing: Dia6xdia13x5: Dia14.5	
106	1105 0516	Clamp	
107	1105 0623	Clamp - LBWS-0206S-V0	

9. Staple Transfer Section 2 (B804)



10.Staple Tray 1 (B804)



10.Staple Tray 1 (B804)

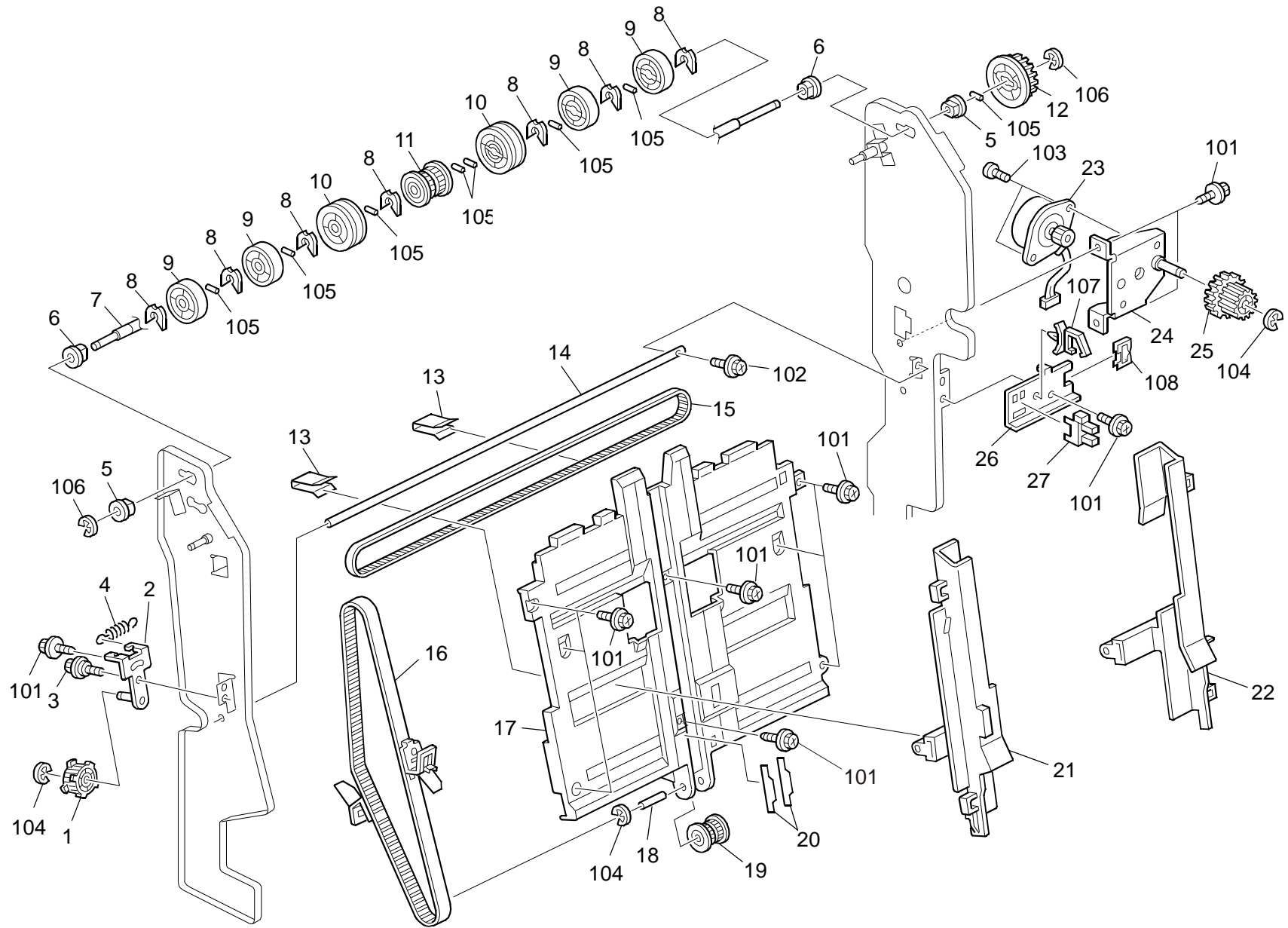
Rev. 06/05/2012

Index No.	Part No.	Description	Q'ty Per Assembly
1	B700 7892	Decal: Stapler: S2	1
2	B700 4407	Sheet: Plate: Leading Edge	1
3	B700 7870	Decal: Stapler Tray: R10	1
4	B700 4431	Guide: Leading Edge: Upper	4
5	B700 4541	Inner Cover: Stapler Unit	1
6	5447 2681	Snap Ring	9
7	B700 4419	Slider: Guide: Reverse	2
8	B700 4422	Lever: Reverse: Stapler Tray: Ass'y	2
9	B700 4416	Supporting Plate: Reverse: Ass'y	1
10	B702 7225	Bushing: Punch Unit: Slide	1
11	B804 4414	Guide Plate: Reverse: Stapler Tray: Front	1
12	B804 4415	Guide Plate: Reverse: Stapler Tray: Inner Back	1
13	5215 2621	Snap Ring - M6	2
14	B700 4410	Roller: Dia22	2
15	B700 4411	Shaft: Driven: Turn	1
16	B804 4401	Guide Plate: Pressure: Reverse: Stapler Tray	1
17	B700 4408	Guide: Leading Edge: Outer	2
18	B700 4405	Guide: Leading Edge: Front	1
19	B700 4406	Guide: Leading Edge: Rear	1
20	B700 4412	Tension Spring: Pressure: Turn	2
21	B700 4444	Guide Plate: Pressure	1

Index No.	Part No.	Description	Q'ty Per Assembly
101	0451 3008N	Tapping Screw - M3x8	
102	0450 3008N	Tapping Screw - M3x8	
103	0453 3006N	Tapping Screw - M3x6	
104	0805 0089	Retaining Ring - M4	
105	0720 0040E	Retaining Ring - M4	

11.Staple Tray 2 (B804)

Rev. 05/06/2010



11.Staple Tray 2 (B804)

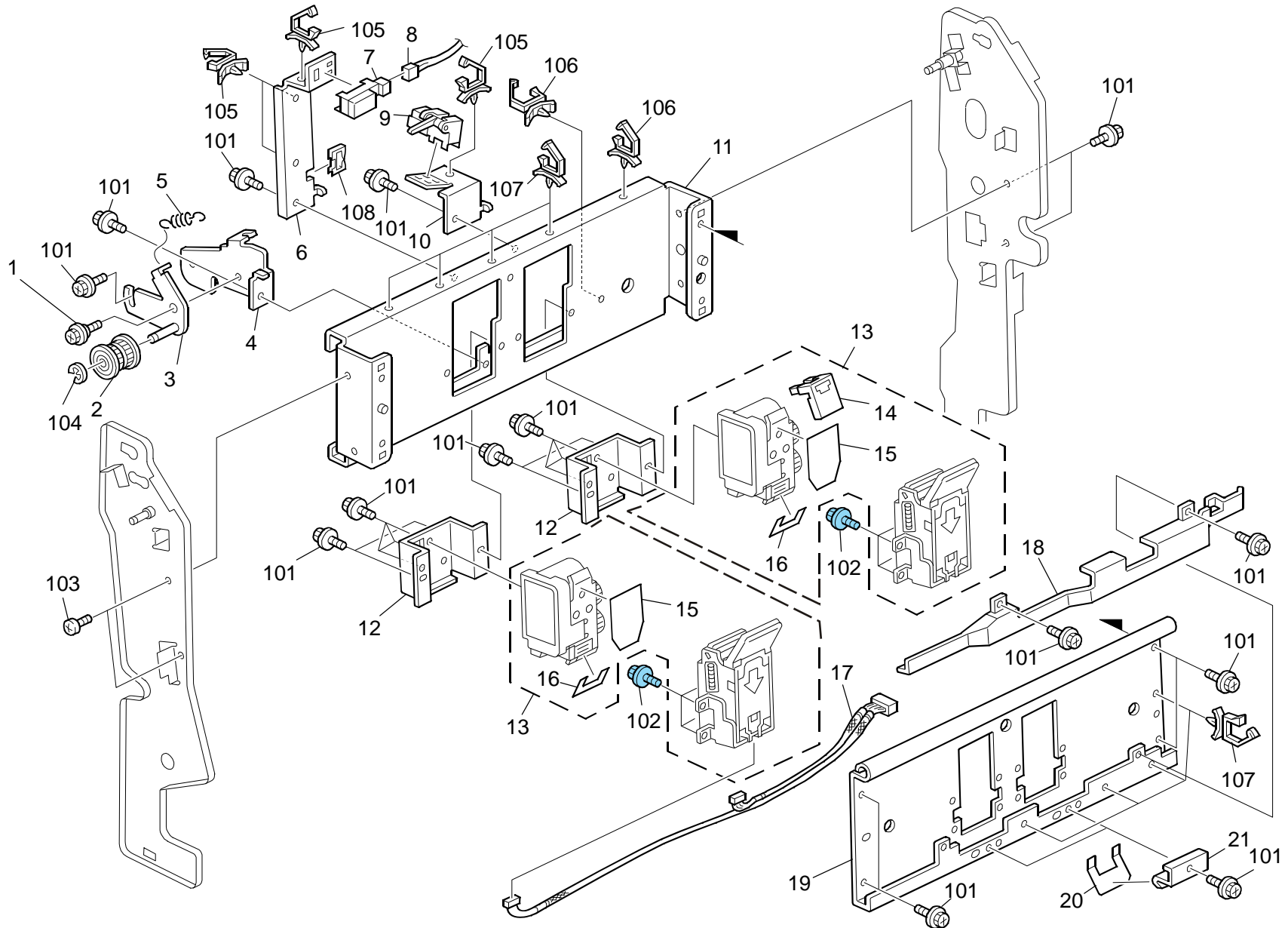
Rev. 2/16/2011

Index No.	Part No.	Description	Q'ty Per Assembly
1	A697 4170	Pulley - 32T	1
2	B408 4223	Belt Tensioner - Stapler	1
3	B830 1135	Screw: Contact Point	15
4	B700 1501	Tension Spring - Pressure	6
5	AA08 2144	Bushing - 8x12x7	6
6	5053 0419	Bushing - 10mm	2
7	B700 4258	Shaft: Exit	1
8	AA10 0011	Retaining Ring: Silencer: Mm7	7
9	B700 4260	Collar: Mm40	4
10	B700 4259	Exit Roller: Mm45	2
11	B700 4261	Timing Pulley: 55T	1
12	B700 4271	Timing Pulley: 55T	1
13	B468 4381	Stopper - Timing Belt	2
14	B700 4200	Shaft: Guide: Jogger Fence	1
15	B700 4213	Timing Belt: 1040S2M4-E	1
16	B700 4250	Exit Belt: Ass'y	1
17	B804 4180	Stapler Tray [TSB#002R]	1
18	B700 4181	Shaft: Idler: Exit	1
19	A666 3180	Timing Pulley - Z32	2
20	B700 4182	Guide: Transport: Stapler Tray	2
21	B700 4201	Jogger Fence: Front: Ass'y	1
22	B700 4204	Jogger Fence: Rear: Ass'y	1
23	B700 5804	Stepper Motor: Dia42: Z17: Ass'y	2
24	B700 4210	Bracket: Motor: Jogger: Ass'y	1
25	B700 4209	Pulley: 32T	1
26	B700 4207	Bracket: Sensor: Jogger	1
27	AW02 0141	Photo Interrupter	16

Index No.	Part No.	Description	Q'ty Per Assembly
101	0453 3006Q	Tapping Screw - 3x6 [TSB#002]	
102	0451 3010N	Tapping Screw: 3x10	
103	0453 3006N	Tapping Screw - M3x6	
104	0720 0040E	Retaining Ring - M4	
105	0632 0160G	Parallel Pin-m2x16	
106	0720 0060E	Retaining Ring - M6	
107	1105 0623	Clamp - LBWS-0206S-V0	
108	1105 0328	Harness Clamp - ES-0505	

12.Staple Tray 3 (B804)

Rev. 01/19/2010

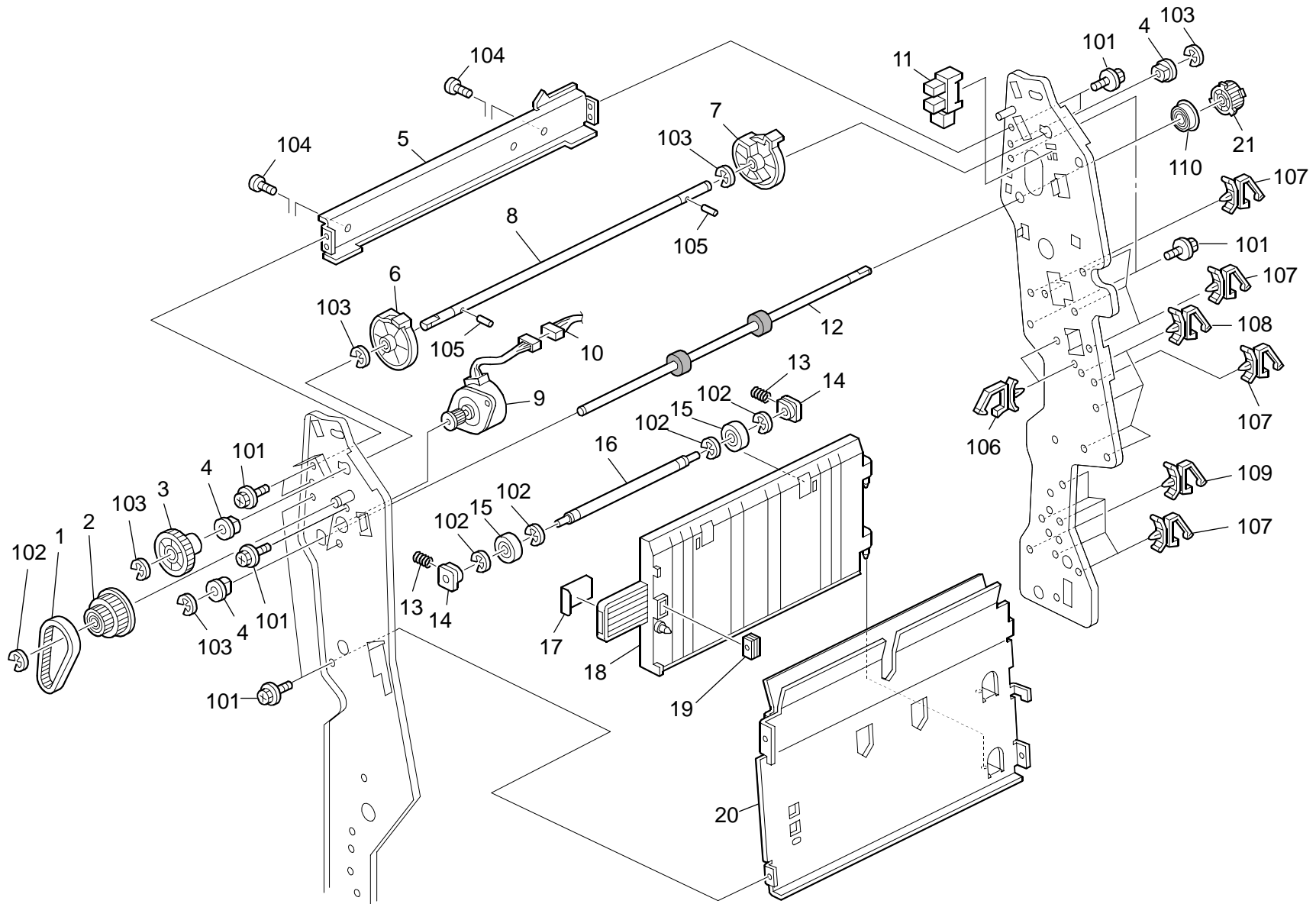


12.Staple Tray 3 (B804)

Index No.	Part No.	Description	Q'ty Per Assembly
1	AA14 3790	Screw:Contact Point	15
2	A666 3180	Timing Pulley - Z32	2
3	B700 4267	Bracket:Tightener:Exit:Ass'y	1
4	B700 4265	Bracket:Tightener:Exit:Fix	1
5	B700 4276	Tension Spring	1
6	B700 4170	Bracket:Positioning Sensor	1
7	GW01 0007	Photo Reflection Sensor:Exit	6
8	B700 5418	Harness:Connecting:Sensor	1
9	AW02 0166	Photo Interrupter: Paper Feed Sensor	1
10	B700 4255	Bracket:Home Position Sensor:Pawl	1
11	B700 4161	Stay:Middle:Stapler Tray	1
12	B700 4351	Bracket:Stapler	2
13	B700 7852	Stapler:Service Parts:Ass'y	
14	B468 6411	Adjusting Pin - Booklet Stapler	1
15	B468 4136	Middle Myler	3
16	B700 4352	Sheet:Guide:Stapler	3
17	B700 5405	Harness:Stapler:Staple Exchange	1
18	B700 4356	Cover:Harness:Stapler	1
19	B700 4353	Stay:Middle:Stapler Tray:Small	1
20	B700 4355	Guide:Stapler:Middle	2
21	B700 4354	Guide:Stapler:Middle	2

Index No.	Part No.	Description	Q'ty Per Assembly
101	0451 3006N	Tapping Screw - 3x6	
102	0454 3006Q	Tapping Screw - M3x6	
103	0453 3006N	Tapping Screw - M3x6	
104	0720 0040E	Retaining Ring - M4	
105	1105 0623	Clamp - LBWS-0206S-V0	
106	1105 0489	Harness Clamp - LWS 1316	
107	1105 0487	Harness Clamp	
108	1105 0328	Harness Clamp - ES-0505	

13.Staple Tray 4 (B804)



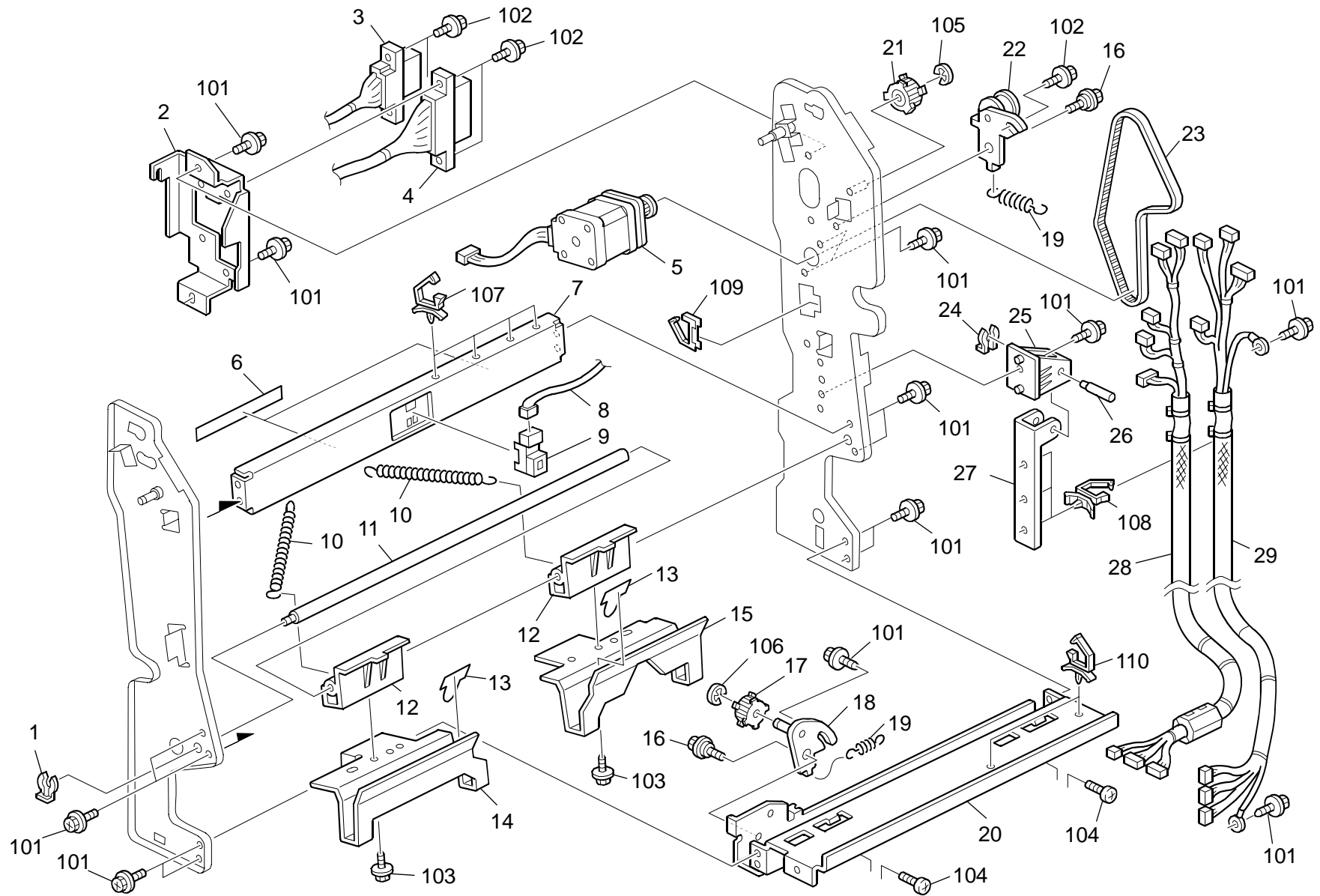
13.Staple Tray 4 (B804)

Rev. 3/2/2012

Index No.	Part No.	Description	Q'ty Per Assembly
1	B700 4428	Timing Belt: B40S2M158	1
2	B700 4429	Gear: Pulley: 17Z/48T	1
3	B700 4430	Gear: 43Z	1
4	AA08 2144	Bushing - 8x12x7	6
5	B700 4159	Stay: Upper: Slide Rail	1
6	B700 4426	Cam: Guide Plate: Front	1
7	B700 4427	Cam: Guide Plate: Inner Back	1
8	B700 4425	Shaft: Drive: Cam	1
9	B700 5802	Stepper Motor: Pm: S2m: T12: Ass'y	1
10	B700 5414	Harness: Gate: Open And Close: Motor	1
11	AW02 0141	Photo Interrupter	16
12	B700 4457	Transport Roller: Transport Unit	1
13	AA06 3529	Pressure Spring - 14.5mm	8
14	B352 2205	Bushing - Driven Roller	2
15	B478 2328	Exit Roller: Driven	6
16	B700 4455	Shaft: Driven: Transport Unit	1
17	B700 7871	Decal: Transport Unit: R11	1
18	B804 4454	Guide Plate: Open and Close: Transport Unit	1
19	AG07 0514	Magnet Catch	6
20	B804 4450	Guide Plate: Lengthwise	1
21	B700 4272	Timing Pulley: 30T	1

Index No.	Part No.	Description	Q'ty Per Assembly
101	0451 3006N	Tapping Screw - 3x6	
102	0720 0040E	Retaining Ring - M4	
103	0720 0060E	Retaining Ring - M6	
104	0453 3006N	Tapping Screw - M3x6	
105	0632 0160G	Parallel Pin-m2x16	
106	1105 0623	Clamp - LBWS-0206S-V0	
107	1105 0487	Harness Clamp	
108	1105 0488	Harness Clamp	
109	1105 0516	Clamp	
110	0805 3537	Ball Bearing: Dia6xdia13x5: Dia14.5	

14.Staple Tray 5 (B804)



14.Staple Tray 5 (B804)

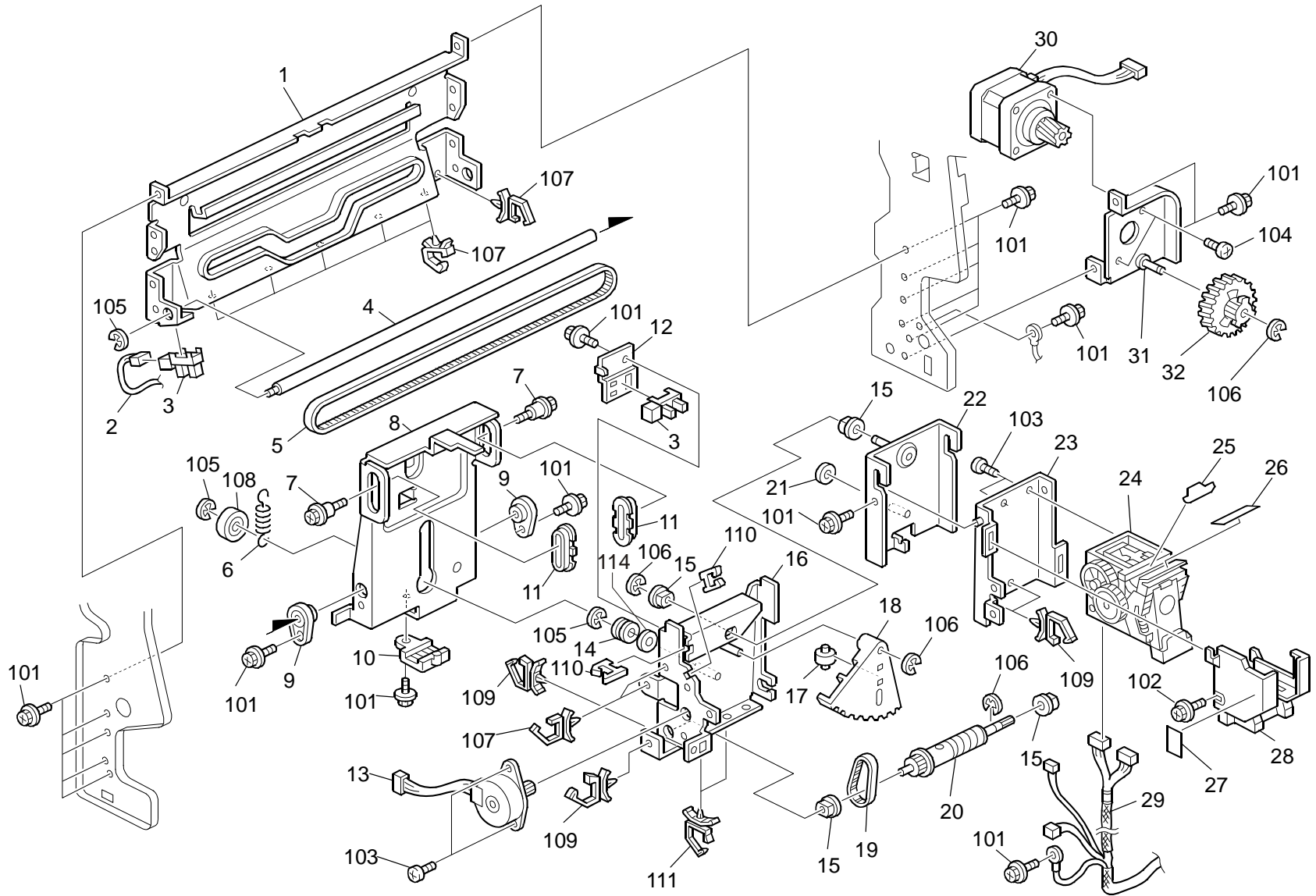
Rev. 05/06/2010

Index No.	Part No.	Description	Q'ty Per Assembly
1	5447 2681	Snap Ring	9
2	B700 4524	Bracket: Stapler Tray: Moveable	1
3	B700 5341	Harness - Stapler Tray Sensor	1
4	B700 5431	Harness - Staple	1
5	B700 5808	Stepper Motor: Exit: Ass'y	1
6	B700 4168	Sheet: Slider	2
7	D373 4167	Stay: Lower: Positioning Sensor [TSB#002]	1
8	B700 5419	Harness: Connecting: Sensor	1
9	GW01 0007	Photo Reflection Sensor: Exit	6
10	B700 4107	Spring: Return: Standard Fence	2
11	B700 4100	Shaft: Slider: Standard Fence	1
12	B700 4103	Slider: Standard Fence	2
13	B700 4104	Guide: Entrance: Stapler: Inner Back	2
14	B700 4102	Standard Fence: Front: Staple	1
15	B700 4106	Standard Fence: Rear: Staple	1
16	B830 1135	Screw: CONTACT POINT	15
17	AB03 0278	Idler - 20z	1
18	B700 4308	Bracket: Tightener: Stapler: Ass'y	1
19	B700 1501	Tension Spring - Pressure	6
20	B700 4165	Stay: Lower: Slide Rail	1
21	B700 4273	Timing Pulley: 30T	1
22	B312 1600	Tightener	4
23	B700 4275	Timing Belt: B40S2M474	1
24	5206 2686	Snap Ring	2
25	B700 4521	Holder: Arm: Harness	1
26	B700 4523	Pin: Fix: Arm	1
27	B700 4522	Arm: Harness: Stapler Unit	1
28	B804 5317	Harness: Connecting: Motor: Stapler Unit	1
29	B700 5413	Harness: Staple: Motor	1

Index No.	Part No.	Description	Q'ty Per Assembly
101	0451 3006N	Tapping Screw - 3x6	
102	0451 3008N	Tapping Screw - M3x8	
103	0450 3008N	Tapping Screw - M3x8	
104	0453 3006N	Tapping Screw - M3x6	
105	0720 0040E	Retaining Ring - M4	
106	0720 0060E	Retaining Ring - M6	
107	1105 0623	Clamp - LBWS-0206S-V0	
108	1105 0488	Harness Clamp	
109	1105 0334	Edge - 17	
110	1105 0487	Harness Clamp	

15.Staple Tray 6 (B804)

Rev. 06/11/2010



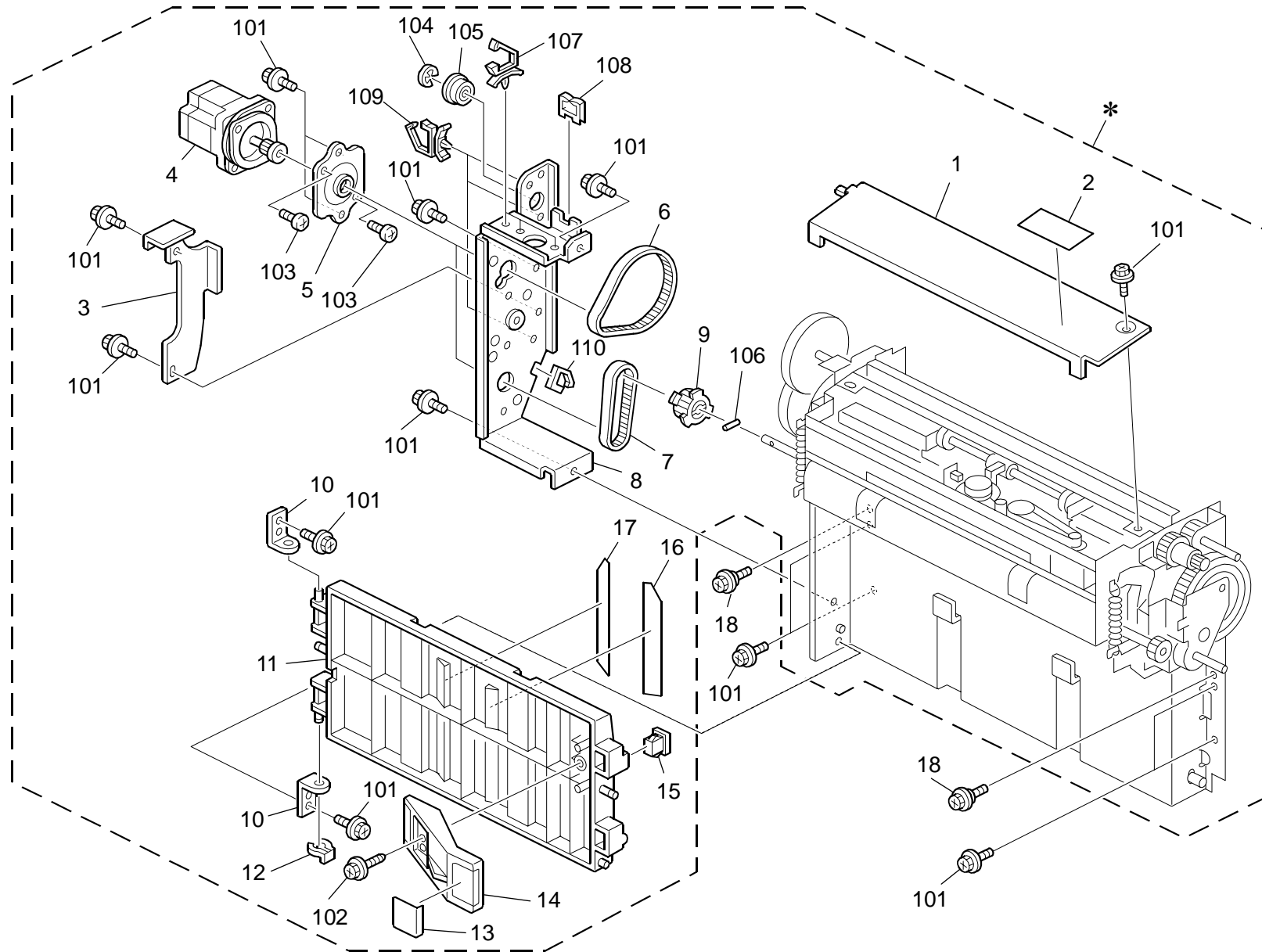
15.Staple Tray 6 (B804)

Rev. 06/05/2012

Index No.	Part No.	Description	Q'ty Per Assembly
1	B700 4163	Stay: Guide: Stapler: Move	1
2	B700 5371	Harness: Connecting: Sensor	1
3	AW02 0141	Photo Interrupter	16
4	B700 4300	Shaft: Guide: Stapler	1
5	B700 4335	Timing Belt: B60S3M954	1
6	B700 4337	Tension Spring	1
7	AA14 3702	Screw: Pin: Positioning	7
8	B700 4329	Bracket: Stapler: Move: Ass'y	1
9	B352 4318	Bushing - Lower Slider	2
10	B302 4292	Belt Holder	1
11	B700 4334	Guide: Slide: Stapler	2
12	B700 4324	Bracket: Sensor: Diagonal, Slanted	1
13	B700 5801	Stepper Motor: Ass'y	1
14	B700 4333	Roller: Guide: Slide: Stapler	1
15	AA08 2101	Bushing - 6x10x6	18
16	D373 4320	Bracket: Stapler: Slide: Ass'y [TSB#003]	1
17	A376 1343	Original Pressure Roller	1
18	A697 4140	Sector Gear - 144z	1
19	B700 4327	Timing Belt: B40S2M90	1
20	B700 4326	Worm Gear: Pulley: 19t	1
21	AA13 2024	Spacer - M6	1
22	B700 4316	Bracket: Stapler: Turn: Ass'y	1
23	B700 4313	Bracket: Fix: Stapler: Ass'y	1
24	AJ01 1015	Stapler: Eh-530	1
25	B700 4312	Guide: Stapler: Entrance: Lower	1
26	B700 4311	Guide: Stapler: Entrance: Upper	1
27	B700 7891	Decal: Stapler: S1	1
28	B700 4338	Inner Cover: Stapler	1
29	B700 5368	Harness: Connecting: Stapler	1
30	B700 5809	Stepper Motor: Stapler: Moveable: Ass'y	1
31	B700 4302	Bracket: Drive: Stapler: Move: Ass'y	1
32	B700 4305	Gear Pulley: 52Z/20T	1

Index No.	Part No.	Description	Q'ty Per Assembly
101	0451 3006N	Tapping Screw - 3x6	
102	0451 3008N	Tapping Screw - M3x8	
103	0453 3006N	Tapping Screw - M3x6	
104	0353 0050N	Screw-m3x5	
105	0720 0060E	Retaining Ring - M6	
106	0720 0040E	Retaining Ring - M4	
107	1105 0623	Clamp - LBWS-0206S-V0	
108	0740 3008	Ball Bearing - 8x22x7	
109	1105 0487	Harness Clamp	
110	1105 0328	Harness Clamp - ES-0505	
111	1105 0516	Clamp	
114	0807 7092	Spacer - 10.5/16 [TSB#003]	1

16.Paper fold Section 1 (B804)



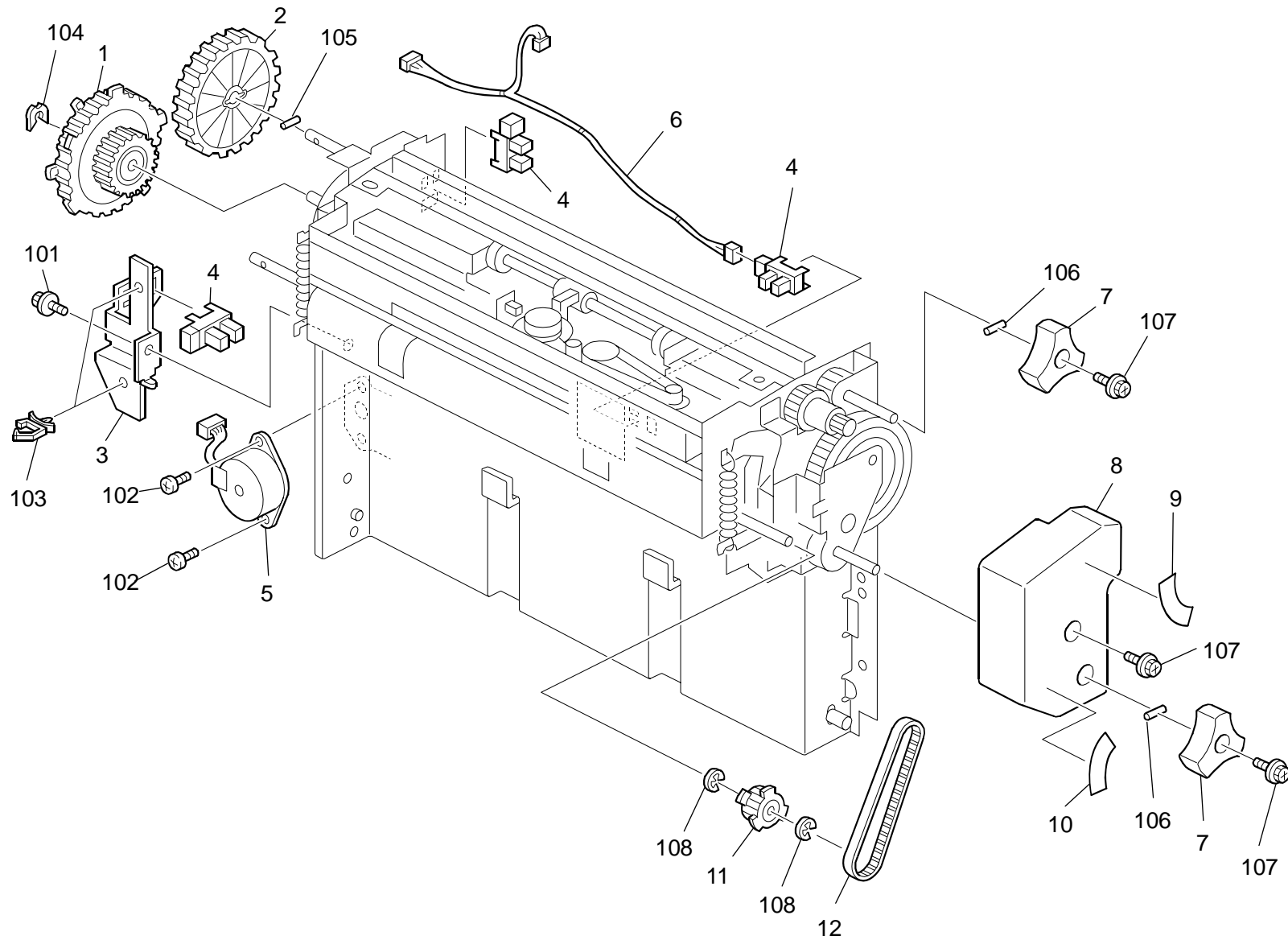
16.Paper fold Section 1 (B804)

Rev. 7/17/2012

Index No.	Part No.	Description	Q'ty Per Assembly
*	B804 4076	Paper Crimp Sub-Unit: Ass'y	1
1	B700 4897	Cover: Upper	1
2	B804 7896	Decal: Paper Crimp	1
3	B700 4895	Cover: Drive	1
4	B700 5812	Stepper Motor: Mm56: S3m: T14: Ass'y	2
5	B700 4797	Bracket: Motor: Mm56	2
6	B700 4787	Timing Belt: B80S3M237	1
7	B700 4785	Timing Belt: B80S3M156	1
8	B700 4790	Bracket: Auxiliary: Rear	1
9	B700 4784	Pulley: 22T	1
10	B700 4879	Bracket: Contact Point	2
11	B804 4875	Guide Plate: Open And Close: Lower Paper Crimp Sub-Unit	1
12	5206 2686	Snap Ring	2
13	B700 7872	Decal: Paper Crimp Sub-unit: R12	1
14	B700 4877	Grip: Guide Plate	1
15	B352 2650	Magnet Catch - 5n	1
16	B700 4873	Guide: Open And Close: Front	1
17	B700 4874	Guide: Open And Close: Rear	1
18	B830 1135	Screw: CONTACT POINT	15

Index No.	Part No.	Description	Q'ty Per Assembly
101	0451 3006N	Tapping Screw - 3x6	
102	0450 3008N	Tapping Screw - M3x8	
103	0453 4006N	Binding Self Tapping Screw: 4x6	
104	0720 0060E	Retaining Ring - M6	
105	0742 3808	Ball Bearing - 8x16x5	
106	0633 0140G	Parallel Pin - 3x14	
107	1105 0516	Clamp	
108	1105 0328	Harness Clamp - ES-0505	
109	1105 0487	Harness Clamp	
110	1105 0522	Edge Saddle - Les0510	

17.Paper fold Section 2 (B804)

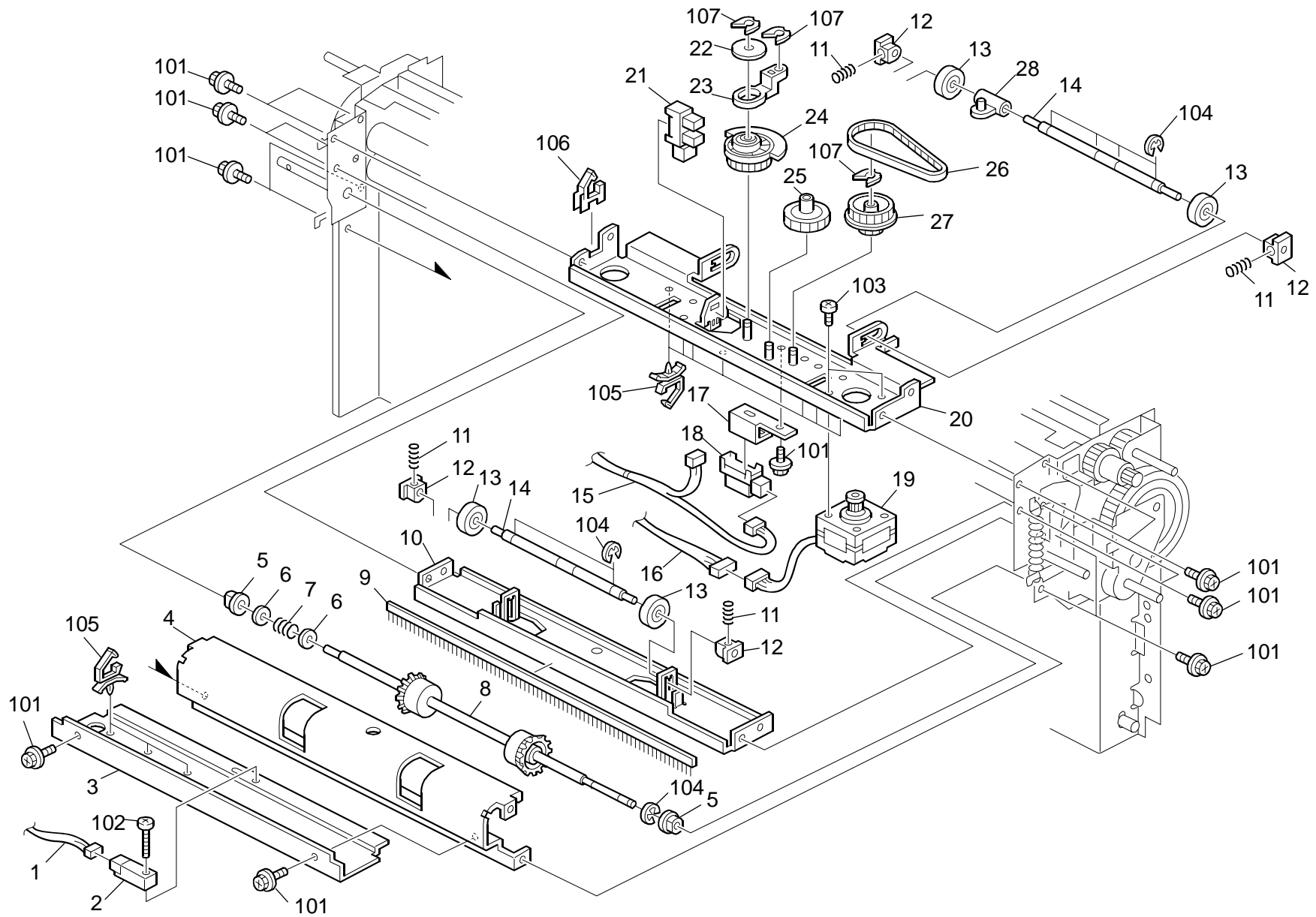


17.Paper fold Section 2 (B804)

Index No.	Part No.	Description	Q'ty Per Assembly
1	B700 4782	Pulley:31T	1
2	B700 4781	Gear:62T	1
3	B700 4770	Bracket:Home Position Sensor:Blade	1
4	AW02 0141	Photo Interrupter	16
5	B700 5804	Stepper Motor:Dia42:Z17:Ass'y	2
6	B700 5411	Harness:Sensor:Plate:End Fence	1
7	B700 4885	Knob:Paper Crimp	2
8	B700 4891	Inner Cover	1
9	B700 7869	Decal:Knob:Roller:R9	1
10	B700 7868	Decal:Knob:Blade:R8	1
11	B700 4718	Pulley:27T	1
12	B700 4720	Timing Belt:B40S2M214	2

Index No.	Part No.	Description	Q'ty Per Assembly
101	0451 3006N	Tapping Screw - 3x6	
102	0453 3006N	Tapping Screw - M3x6	
103	1105 0623	Clamp - LBWS-0206S-V0	
104	0805 0088	Retaining Ring - M6	
105	0633 0140G	Parallel Pin - 3x14	
106	0633 0180G	Parallel Pin - 3x18mm	
107	0451 3008N	Tapping Screw - M3x8	
108	0720 0040E	Retaining Ring - M4	

18.Paper fold Section 3 (B804)



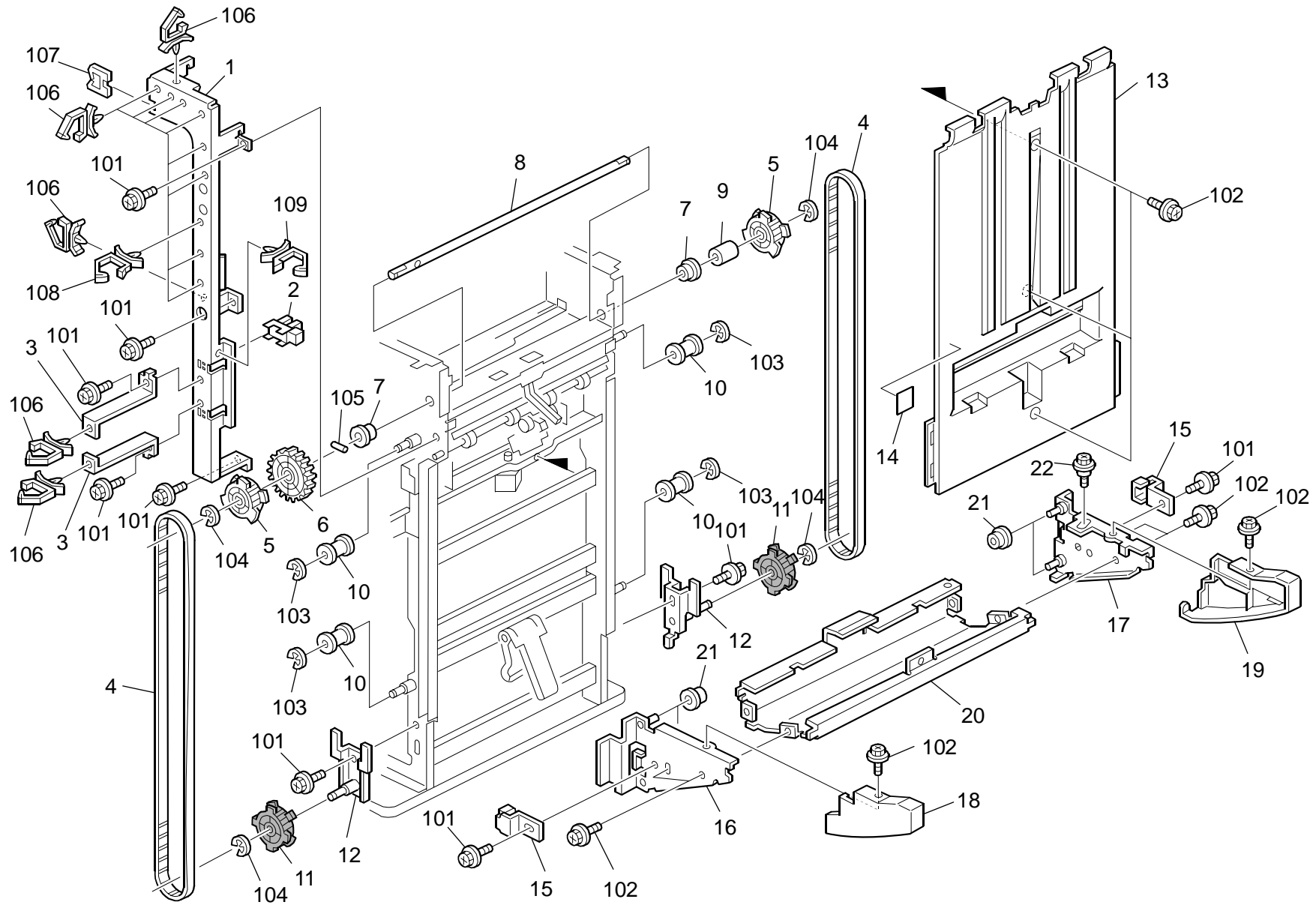
18.Paper Fold Section 3 (B804)

Rev. 09/10/2009

Index No.	Part No.	Description	Q'ty Per Assembly
1	B700 5412	Harness: Connecting: Sensor	1
2	AW01 0109	Photo Reflection Sensor: Ps117ed1	2
3	B700 4763	Guide Plate: Roller: Lower	1
4	B700 4745	Guide Plate: Exit: Lower	1
5	AA08 2101	Bushing - 6x10x6	18
6	AA13 2208	Spacer - M6	1
7	B700 4713	Compression Spring	2
8	D373 4715	Exit Roller: Paper Crimp Sub-Unit	1
9	B793 4808	Discharge Brush: Exit	1
10	B700 4753	Guide Plate: Exit: Upper	1
11	B700 4757	Compression Spring: Transport Roller	4
12	AA08 0237	Bushing - 4x5x7	4
13	B478 2328	Exit Roller: Driven	6
14	B700 4755	Shaft: Driven	2
15	B700 5410	Harness: Sensor	1
16	B700 5415	Harness: Drive: Swivel: Motor	2
17	B700 4835	Bracket: Paper Feed Sensor	1
18	GW01 0007	Photo Reflection Sensor: Exit	6
19	B700 5810	Stepper Motor: DC24V 2.5W	1
20	B700 4805	Stay: Release: Transport	1
21	AW02 0141	Photo Interrupter	16
22	B700 4829	Spacer: Release: Transport	1
23	B700 4827	Joint: Release: Transport	1
24	B700 4821	Cam: Release: Transport	1
25	B700 4823	Gear: 56Z	1
26	B700 4720	Timing Belt: B40S2M214	2
27	B700 4825	Gear: 28Z	1
28	B700 4810	Shaft: Driven: Release	1

Index No.	Part No.	Description	Q'ty Per Assembly
101	0451 3006N	Tapping Screw - 3x6	
102	0453 3014N	Binding Self Tapping Screw 3x14	
103	0353 0040N	Screw - M3X4	
104	0720 0040E	Retaining Ring - M4	
105	1105 0623	Clamp - LBWS-0206S-V0	
106	1105 0522	Edge Saddle - Les0510	
107	0805 0089	Retaining Ring - M4	

19.Shift Tray (B804)



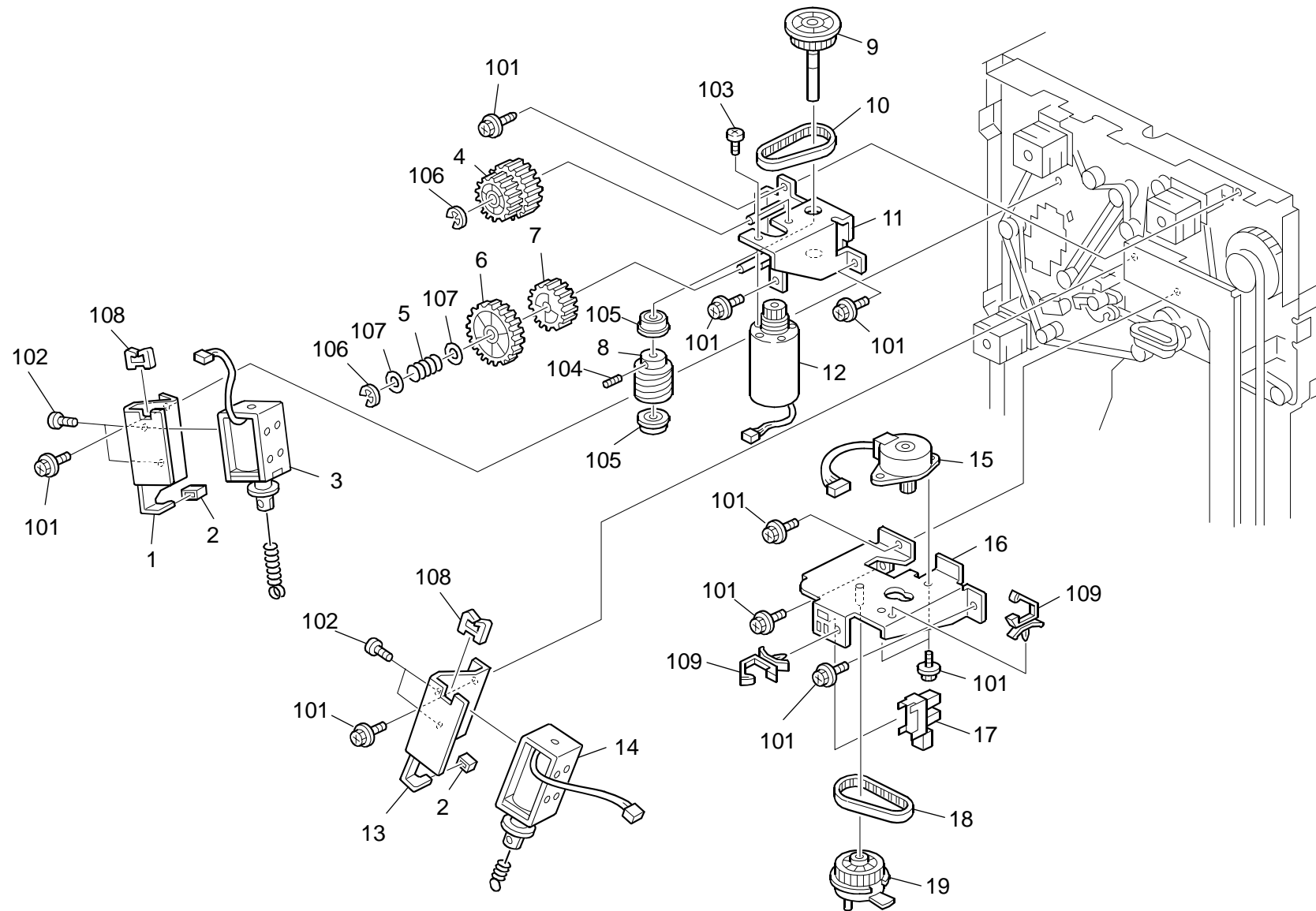
19.Shift Tray (B804)

Rev. 12/7/2010

Index No.	Part No.	Description	Q'ty Per Assembly
1	B700 3325	Bracket: Sensor: Paper Volume Sensor	1
2	AW02 0114	Photo Interrupter - Lower Limit	1
3	B468 5991	Harness Bracket	3
4	B700 3320	Timing Belt: B60S5M1530	2
5	A697 3180	Pulley - 18T	2
6	A697 3170	Gear - 42Z	1
7	C203 5135	Bushing - 10x14x5.9	2
8	A697 3165	Tray Drive Shaft	1
9	A697 3175	Spacer - 10x14x13.5mm	1
10	A548 2139	Pulley	4
11	B700 3315	Timing Pulley: 22T	2
12	B700 3310	Tightener: Tray: Drive: Ass'y	2
13	B804 3165	End Fence: Bind: Yes	1
14	B793 7898	Decal: Paper Exit Sub-unit	1
15	A697 3150	Fixing Plate - Timing Belt	2
16	B700 3405	Side Plate: Tray: Inner Back: Ass'y	1
17	B700 3400	Side Plate: Tray: Front: Ass'y	1
18	B804 6165	Cover: Tray: Support: Rear	1
19	B804 6160	Cover: Tray: Support: Front	1
20	B700 3410	Base: Tray	1
21	A379 3316	Shift Guide Roller	4
22	AA14 3702	Screw: Pin: Positioning	7

Index No.	Part No.	Description	Q'ty Per Assembly
101	0451 3006N	Tapping Screw - 3x6	
102	0451 3008N	Tapping Screw - M3x8	
103	0720 0040E	Retaining Ring - M4	
104	0720 0060E	Retaining Ring - M6	
105	0634 0200G	Parallel Pin - 4x20	
106	1105 0488	Harness Clamp	
107	1105 0328	Harness Clamp - ES-0505	
108	1105 0490	Harness Clamp - IWS-2218	
109	1105 0623	Clamp - LBWS-0206S-V0	

20. Drive Section 1 (B804)



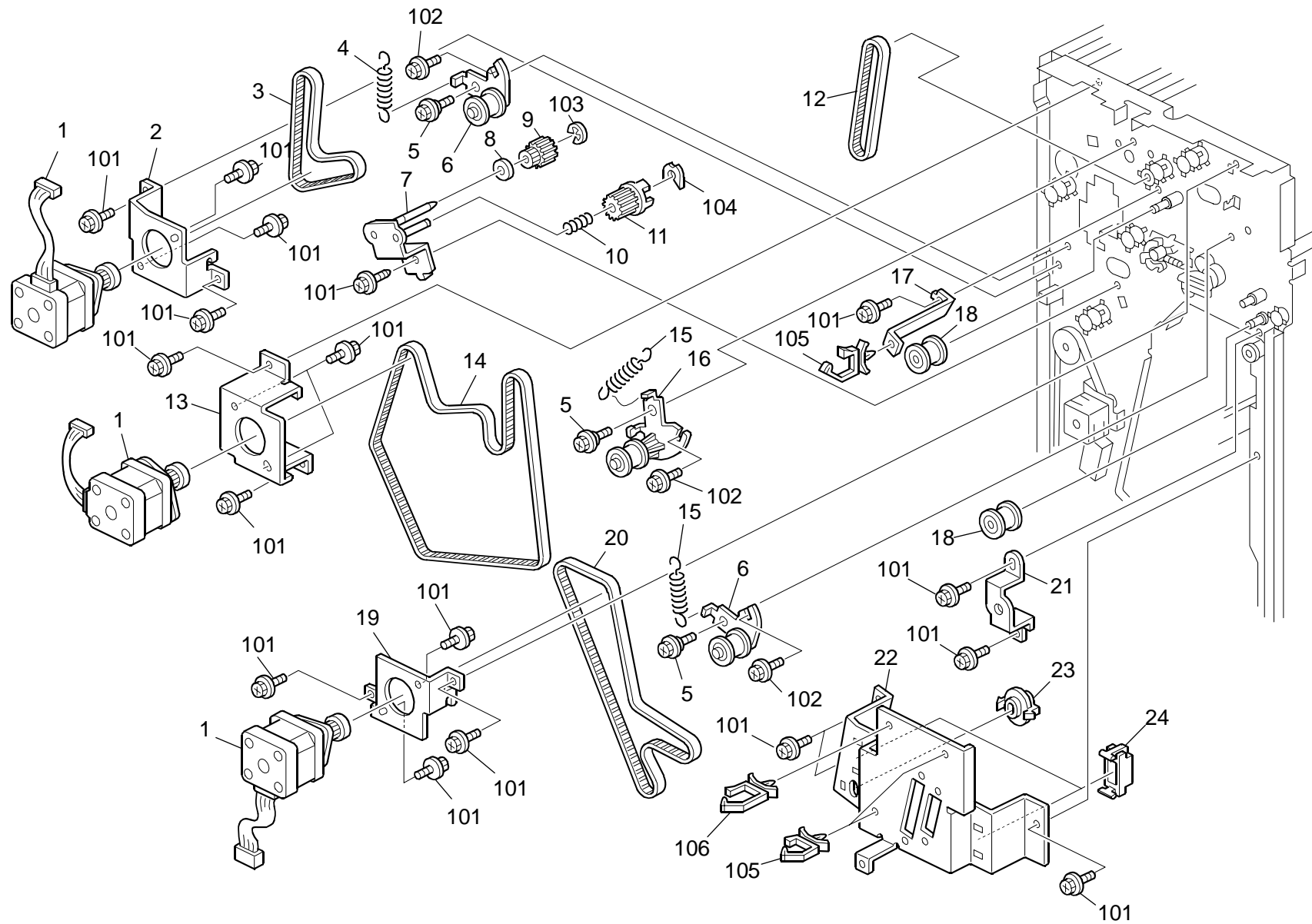
20. Drive Section 1 (B804)

Rev. 12/7/2010

Index No.	Part No.	Description	Q'ty Per Assembly
1	B804 2515	Bracket: Dcsol: Gate Pawl: Staple	1
2	A697 2102	Damper - Junction Gate Solenoid	3
3	B700 2535	DC Solenoid: Gate Pawl: Staple: Ass'y	1
4	A697 3145	Gear - 36Z/18Z	1
5	B700 3322	Compression Spring - 10n	1
6	A697 3140	Gear - 30Z	1
7	A697 3135	Gear - 18Z	1
8	B700 3302	Worm Gear	1
9	A697 3225	Worm Wheel Shaft	1
10	B700 3305	Timing Belt: B40S2M152	1
11	B700 3300	Bracket: Drive: Tray: Ass'y	1
12	AX06 0282	DC Motor: 25.1W	1
13	B700 2510	Bracket: Dcsol: Gate Pawl: Proof Tray	1
14	B700 2550	DC Solenoid: Gate Pawl: Ass'y	1
15	B700 5813	Stepper Motor: Pm: S2m: T12: Ass'y	1
16	B700 1675	Bracket: Shift: Drive: Ass'y	1
17	AW02 0141	Photo Interrupter	16
18	B830 3115	Timing Belt: B40S2M142	1
19	B468 2425	Drive Pulley	1

Index No.	Part No.	Description	Q'ty Per Assembly
101	0451 3006N	Tapping Screw - 3x6	
102	0353 0040N	Screw - M3X4	
103	0353 0060N	Bind Screw - M3x6	
104	0574 0040E	Hexagon Headless Set Screw - M4x4	
105	0741 3506	Ball Bearing - 6x12x4 Mm	
106	0720 0060E	Retaining Ring - M6	
107	0807 5056	Washer - 8.1mm	
108	1105 0328	Harness Clamp - ES-0505	
109	1105 0623	Clamp - LBWS-0206S-V0	

21.Drive Section 2 (B804)



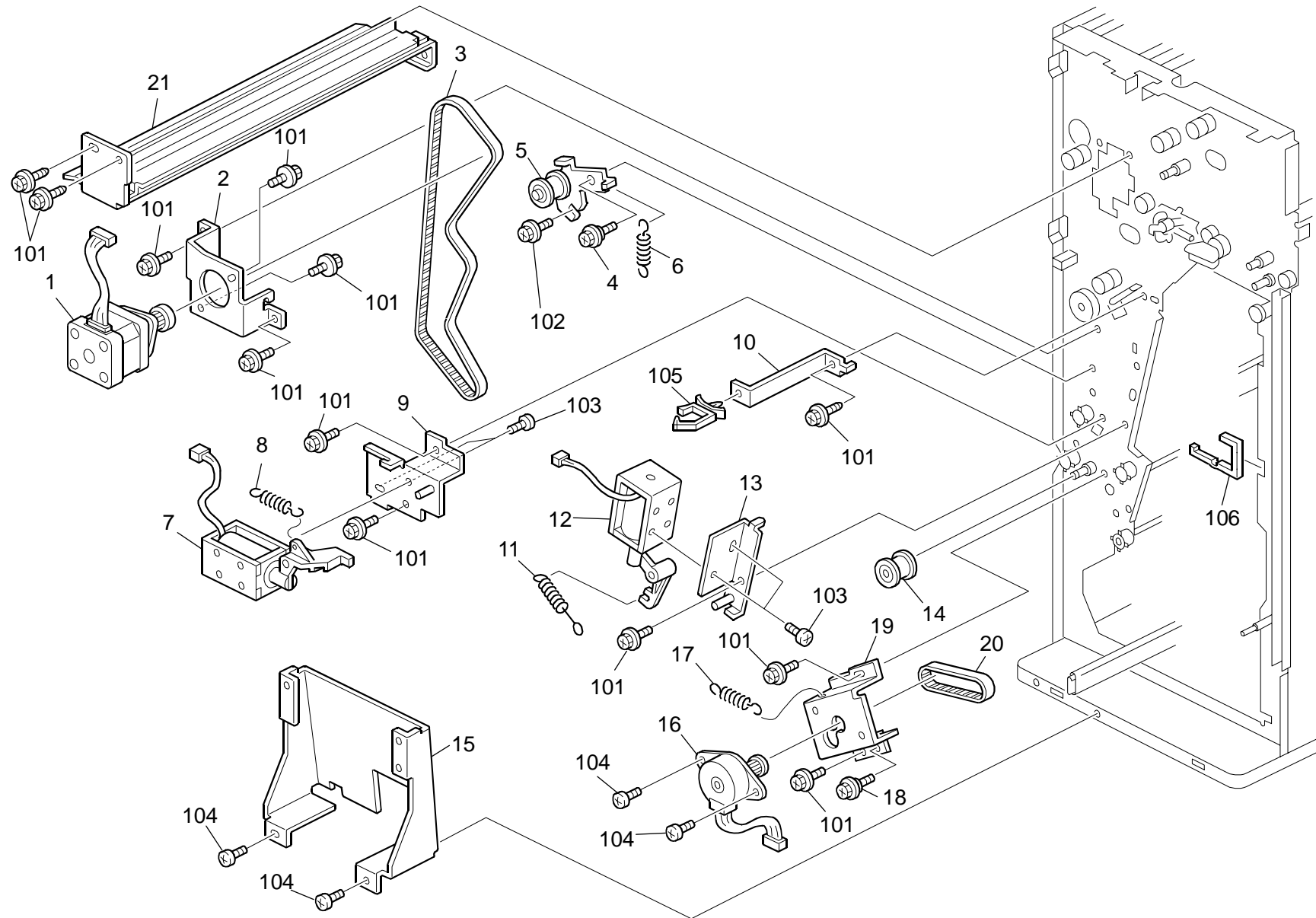
21.Drive Section 2 (B804)

Rev. 05/09/2011

Index No.	Part No.	Description	Q'ty Per Assembly
1	B804 5806	Stepper Motor: Mm42: S3m: T14: Ass'y	4
2	B700 1600	Bracket: Stepper Motor: Transport	2
3	B700 1610	Timing Belt: 40S3M384	1
4	B700 1601	Tension Spring	1
5	B830 1135	Screw: Contact Point	15
6	B312 1600	Tightener	4
7	B700 1620	Bracket: Pulley: Punch: Move: Ass'y	1
8	AA13 2169	Spacer - 5.7x16x1.5	1
9	B700 1625	Gear: Pulley: 14Z/14T	1
10	B700 1635	Compression Spring	1
11	B700 1630	Gear: 14Z	1
12	B700 1615	Timing Belt: B40S3M303	1
13	B700 1640	Bracket: Stepper Motor: Transport	1
14	B700 1670	Timing Belt: B40S3M927	1
15	B700 1501	Tension Spring - Pressure	6
16	B312 1610	Shaft: Idler: Short	1
17	B468 5991	Harness Bracket	3
18	B804 1604	Tension Roller	3
19	B700 3205	Bracket: Stepper Motor: Exit	1
20	B700 3215	Timing Belt: B40S3M648	1
21	B700 3210	Bracket: Support: Stud: Return	1
22	B700 1162	Bracket: Connector: Stapler Tray	1
23	B700 1165	Holder: Coupling: Stapler Unit	2
24	AG07 1012	Magnet Catch: Ass'y	2

Index No.	Part No.	Description	Q'ty Per Assembly
101	0451 3006N	Tapping Screw - 3x6	
102	0451 3008N	Tapping Screw - M3x8	
103	0720 0040E	Retaining Ring - M4	
104	0805 0089	Retaining Ring - M4	
105	1105 0488	Harness Clamp	
106	1105 0490	Harness Clamp - IWS-2218	

22.Drive Section 3 (B804)



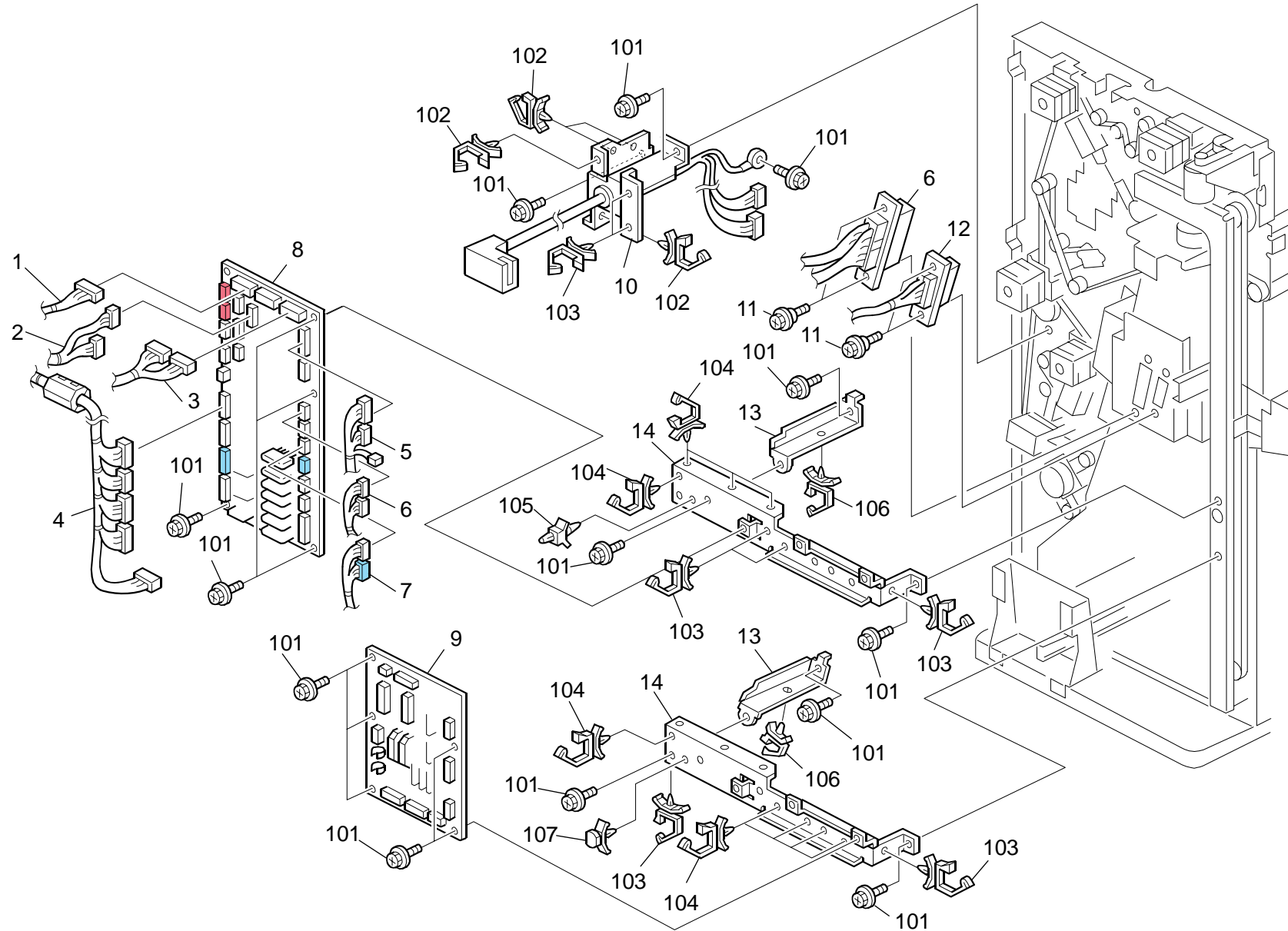
22. Drive Section 3 (B804)

Rev. 05/09/2011

Index No.	Part No.	Description	Q'ty Per Assembly
1	B804 5806	Stepper Motor: Mm42: S3m: T14: Ass'y	4
2	B700 1600	Bracket: Stepper Motor: Transport	2
3	B700 1702	Timing Belt: B40S3M789	1
4	B830 1135	Screw: Contact Point	15
5	B804 1600	Bracket: Tightener: Ass'y	4
6	B700 1501	Tension Spring - Pressure	6
7	B700 2655	DC Solenoid: Gathering Roller: Ass'y	1
8	A300 3865	Release Spring	1
9	B700 2651	Bracket: Solenoid: Gathering Roller	1
10	B468 5991	Harness Bracket	3
11	B700 2667	Tension Spring: Solenoid: Plate	1
12	B700 2665	DC Solenoid: Plate: Ass'y	1
13	B700 2661	Bracket: Solenoid: Plate: Ass'y	1
14	B312 1615	Tension Roller	3
15	B700 5957	Bracket: Main Control Board: Lower	1
16	B700 5803	Stepper Motor: Pm: T17: Ass'y	1
17	B700 1803	Tension Spring	1
18	B700 4867	Screw: Contact Point: M3	5
19	B804 1801	Bracket: Stepper Motor: Gathering Roller	1
20	B700 1802	Timing Belt: B40S2M134	1
21	B804 2235	Guide Plate: Punch: Exhaust	1

Index No.	Part No.	Description	Q'ty Per Assembly
101	0451 3006N	Tapping Screw - 3x6	
102	0451 3008N	Tapping Screw - M3x8	
103	0353 0040N	Screw - M3X4	
104	0453 3006N	Tapping Screw - M3x6	
105	1105 0488	Harness Clamp	
106	1105 0334	Edge - 17	

23.Electrical Section (B804)



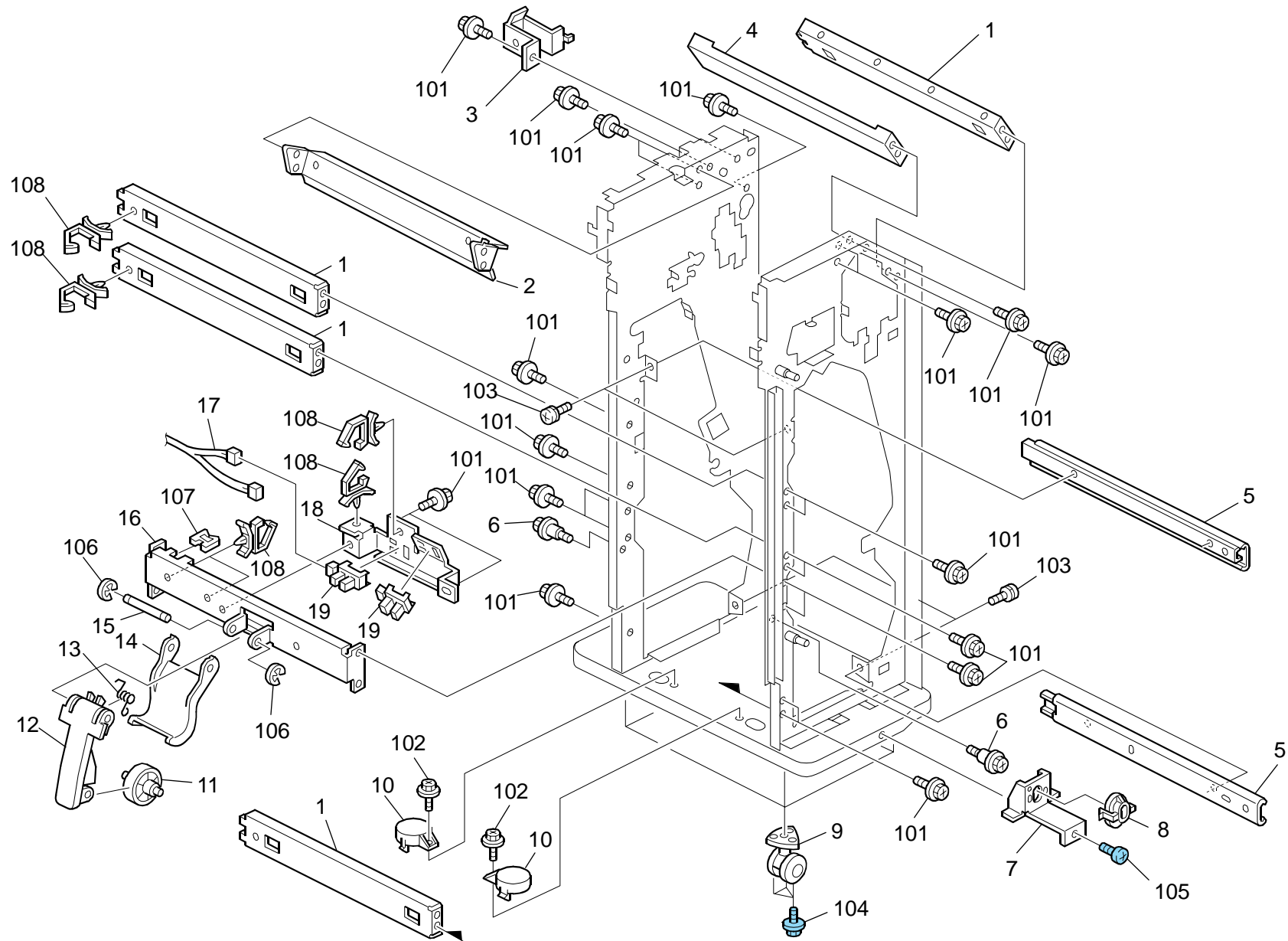
23.Electrical Section (B804)

Rev. 5/8/2012

Index No.	Part No.	Description	Q'ty Per Assembly
1	D637 5400	Harness: Entrance Sensor	1
2	B804 5451	Harness: Punch Unit	1
3	B700 5305	Harness: Exit: Tray	1
4	B804 5410	Harness: Stepper Motor [TSB#004R]	1
5	B700 5401	Harness: Staple	1
6	B700 5430	Harness - Staple	1
7	B804 5309	Harness: Exit: Tray	1
8	B804 5101	PCB: Main Control: Ass'y [TSB#006R]	1
8	B804 5517	PCB: Main Control: Ass'y [TSB#006]	1
9	B804 5210	PCB: STP: Control	1
10	B700 5350	Harness: Interface: Sub-Ass'y	1
11	B700 1163	Screw: Connector	4
12	B700 5340	Harness – Stapler Tray Unit	1
13	B700 5956	Bracket: Printed Circuit Board	2
14	B700 5955	Stay: Fix: Main Control Board	2

Index No.	Part No.	Description	Q'ty Per Assembly
101	0451 3006N	Tapping Screw - 3x6	
102	1105 0516	Clamp	
103	1105 0487	Harness Clamp	
104	1105 0488	Harness Clamp	
105	1105 0192	Locking Support	
106	1105 0623	Clamp - LBWS-0206S-V0	
107	1105 0367	Spacer	

24.Frame Section (B804)



24.Frame Section (B804)

Rev. 12/09/2011

Index No.	Part No.	Description	Q'ty Per Assembly
1	B700 3163	Stay: Coupling	4
2	B804 2321	Guide Plate: Proof Tray	1
3	B804 6132	Bracket: Cover: Upper	1
4	B804 1152	Stay: Coupling	1
5	B700 1161	Slide Rail: Stapler Unit: 508mm	2
6	AA14 3702	Screw: Pin: Positioning	7
7	B700 1166	Bracket: Stopper: Stapler Unit	1
8	B700 1165	Holder: Coupling: Stapler Unit	2
9	AH01 2030	Caster: Dia50: 400n	4
10	B804 1119	Cap: Base	2
11	B700 3730	Roller: Plate: Paper Exit Sub-Unit	1
12	B804 3720	Arm: Paper Sensor: Paper Exit Sub-Unit	1
13	B700 3740	Spring: Arm: 16mn.m	1
14	B700 3725	Arm: Plate: Paper Exit Sub-Unit	1
15	B700 3715	Shaft: Arm: Paper Exit Sub-Unit	1
16	B804 3705	Guide Plate: Paper Exit Sub-Unit	1
17	B804 5407	Harness: Paper Exit Sub-Unit	1
18	B700 3710	Bracket: Surface of Paper Sensor	1
19	AW02 0141	Photo Interrupter	16

Index No.	Part No.	Description	Q'ty Per Assembly
101	0451 3006N	Tapping Screw - 3x6	
102	0451 3008N	Tapping Screw - M3x8	
103	0950 3005N	Screw: Spring Washer: M3X5	
104	0454 4008Q	Tapping Screw - M4x8	
105	0802 5305	Tapping Screw - M3x6	
106	0720 0040E	Retaining Ring - M4	
107	1105 0328	Harness Clamp - ES-0505	
108	1105 0623	Clamp - LBWS-0206S-V0	

<p>1</p>	<p>5</p>	<p>6</p>	<p>15</p>	<p>17</p>
<p>2</p>	<p>7</p>	<p>8</p>	<p>16</p>	
<p>9</p>	<p>10</p>	<p>11</p>	<p>18</p>	
<p>12</p>	<p>13</p>			
<p>3</p>	<p>4</p>	<p>14</p>	<p>19</p>	
<p>20</p>				

25.Decals and Documents (B804)

Rev. 3/3/2011

Index No.	Part No.	Description	Q'ty Per Assembly
1	B468 7812	Caution Decal - Tray Fall	1
2	B700 7851	Decal: Staple Exchange	1
3	B700 7861	Decal: Knob: Entrance: R1	1
4	B700 7862	Decal: Knob: Entrance: R2	1
5	B700 7863	Decal: Proof Tray: R3	1
6	B700 7864	Decal: Shift: R4	1
7	B700 7865	Decal: Vertical Transport: R5	1
8	B700 7866	Decal: Exit: R6	1
9	B700 7867	Decal: Turn: Open And Close: R7	1
10	B700 7868	Decal: Knob: Blade: R8	1
11	B700 7869	Decal: Knob: Roller: R9	1
12	B700 7870	Decal: Stapler Tray: R10	1
13	B700 7871	Decal: Transport Unit: R11	1
14	B700 7872	Decal: Paper Crimp Sub-unit: R12	1
15	B700 7891	Decal: Stapler: S1	1
16	B700 7892	Decal: Stapler: S2	1
17	B793 7898	Decal: Paper Exit Sub-unit	1
18	B804 7850	Decal: Misfeed Removal: Bind: Yes	1
19	B804 7896	Decal: Paper Crimp	1
20	B804 7813	Decal: Caution: Proof Tray: Paper Exit Sub-Unit <i>[TSB#005]</i>	1

Index No.	Part No.	Description	Q'ty Per Assembly

**BOOKLET FINISHER SR3020
B804
PARTS INDEX**

This section instructs you as to the numbers and names of parts on this machine

Parts Index

Part No.	Description	Page and Index No.
B804 1117	Cap - Base	49 - 10
B804 1152	Stay: Coupling	49 - 4
B804 1164	Bracket: Ground Plate: Coupling	3 - 21
B804 1180	Discharge Brush: Punch Unit	9 - 23
B804 1182	Discharge Brush: Punch: Transport	9 - 25
B804 2037	Guide Plate: Horizontal: Lower	9 - 11
B804 2100	Guide Plate :Connecting: Upper	5 - 26
B804 2105	Guide Plate: Connecting: Lower	5 - 25
B804 2110	Guide Plate: Entrance: Lower	5 - 19
B804 2120	Guide Plate: Entrance: Upper	5 - 8
B804 2205	Guide Plate: Upper	5 - 4
B804 2210	Guide Plate: Transport: Entrance:U pper	5 - 5
B804 2235	Guide Plate:Punch:Exhaust	45 - 21
B804 2245	Guide Plate:Horizontal:Shift	9 - 9
B804 2321	Guide Plate:Proof Tray	49 - 2
B804 2474	Discharge Brush:Exit	19 - 24
B804 2477	Discharge Brush:Exit:Middle	19 - 25
B804 2625	Roller:Mm28	19 - 3
B804 2721	Guide: Trailing Edge	19 - 30
B804 3161	Guide Plate:Exit:Lower	15 - 35
B804 3165	End Fence:Bind:Yes	39 - 13
B804 3417	Tray	3 - 14
B804 3720	Arm:Paper Senser:Paper Exit Sub-unit	49 - 12
B804 3852	Tray:Paper Crimp Unit:Small	3 - 15
B804 3853	Tray:Paper Crimp Sub-unit	3 - 16
B804 4061	Paper Crimp Unit	33 - *
B804 4405	Guide:Leading Edge:Middle	13 - 27
B804 4450	Guide Plate:Lengthwise	27 - 20
B804 5200	PCB:STP:Control	47 - 9
B804 5309	Harness:Exit:Tray	47 - 7
B804 5317	Harness:Connecting:Motor:Stapler Unit	29 - 28
B804 5502	PCB:Main Control	47 - 8
B804 5806	Stepper Motor:Mm42:S3m:T14:Ass'y	43 - 1
B804 5806	Stepper Motor:Mm42:S3m:T14:Ass'y	45 - 1
B804 6115	Cover:Front	3 - 13

Part No.	Description	Page and Index No.
B804 6132	Bracket: Cover: Upper	49 - 3
B804 6135	Cover: Upper	3 - 6
B804 6145	Cover: Left :Front	3 - 7
B804 6150	Cover :Left Upper	3 - 3
B804 6155	Cover: Jogger	3 - 2
B804 6160	Cover: Tray:Support:Front	39 - 19
B804 6165	Cover: Tray:Support:Rear	39 - 18
B804 6175	Cover:Rear	3 - 1
B804 7850	Decal: Misfeed Removal: Bind: Yes	3 - 10
B804 7850	Decal: Misfeed Removal: Bind: Yes	51 - 18
B804 7896	Decal :Paper Crimp	33 - 2
B804 7896	Decal: Paper Crimp	51 - 19

Part No.	Description	Page and Index No.
A300 2736	Worm Gear	41 - 8
A300 3865	Release Spring	45 - 8
A353 2243	Lever Knob	11 - 4
A353 3172	Actuator Bracket	13 - 8
A353 3173	Pressure Spring	13 - 9
A376 1343	Original Pressure Roller	31 - 17
A379 3316	Shift Guide Roller	39 - 21
A458 2251	Cushion - Bin Solenoid Lever	19 - 20
A458 2251	Cushion - Bin Solenoid Lever	11 - 12
A458 2251	Cushion - Bin Solenoid Lever	9 - 16
A498 4625	Arm Cushion	19 - 2
A548 2139	Pulley	39 - 10
A612 2435	Support Plate	17 - 3
A666 3180	Timing Pulley - Z32	23 - 19
A666 3180	Timing Pulley - Z32	25 - 2
A666 4270	Roller:Driven:Entrance	5 - 3
A680 4223	Cushion	19 - 18
A681 2742	Driven Exit Roller	13 - 3
A697 1128	Joint Lever	11 - 18
A697 1606	Spacer - 6x12x2.7mm	5 - 16
A697 1606	Spacer - 6x12x2.7mm	7 - 22
A697 2102	Damper - Junction Gate Solenoid	41 - 2
A697 2102	Damper - Junction Gate Solenoid	19 - 35
A697 2187	Pressure Spring - 14.1mm	7 - 9
A697 3135	Gear - 18Z	41 - 7
A697 3140	Gear - 30Z	41 - 6
A697 3145	Gear - 36Z/18Z	41 - 4
A697 3150	Fixing Plate - Timing Belt	39 - 15
A697 3165	Tray Drive Shaft	39 - 8
A697 3170	Gear - 42Z	39 - 6
A697 3175	Spacer - 10x14x13.5mm	39 - 9
A697 3180	Pulley - 18T	39 - 5
A697 3225	Worm Wheel Shaft	41 - 9
A697 4140	Sector Gear - 144z	31 - 18
A697 4170	Pulley - 32T	23 - 1

Part No.	Description	Page and Index No.
B302 1145	Actuator - Paper Height Sensor	13 - 10
B302 2216	Exit Guide - Upper Exit Guide	7 - 11
B302 4292	Belt Holder	31 - 10
B312 1600	Tightener	29 - 22
B312 1600	Tightener	43 - 6
B312 1600	Tightener	45 - 5
B312 1610	Tightener	43 - 16
B312 1615	Tension Roller	43 - 18
B312 1615	Tension Roller	45 - 14
B352 1600	Timing Pulley - S2M T24	19 - 8
B352 1607	Timing Pulley - T20-S3M	17 - 15
B352 1607	Timing Pulley - T20-S3M	11 - 19
B352 1607	Timing Pulley - T20-S3M	15 - 1
B352 2205	Bushing - Driven Roller	27 - 14
B352 2400	Exit Roller	15 - 34
B352 2405	Outer Exit Roller	15 - 33
B352 2650	Magnet Catch - 5n	33 - 15
B352 4318	Bushing - Lower Slider	31 - 9
B408 1428	Ground Plate: Coupling	3 - 20
B408 2113	Guide - Trailing Edge	19 - 19
B408 2173	Slide Roller	9 - 7
B408 2174	Spring	9 - 6
B408 2175	Bushing - Roller Slide	9 - 4
B408 2281	Knob - Transfer Roller	5 - 11
B408 2312	Bushing - Roller Slide	9 - 3
B408 2422	Pulley - T16	19 - 10
B408 2435	Gathering Roller:Ass'y	19 - 9
B408 2833	Shaft - Worm Wheel	13 - 19
B408 4223	Belt Tensioner - Stapler	23 - 2
B468 2425	Drive Pulley	41 - 19
B468 2832	Driven Exit Roller	19 - 26
B468 4136	Middle Myler	25 - 15
B468 4381	Stopper - Timing Belt	23 - 13
B468 5991	Harness Bracket	45 - 10
B468 5991	Harness Bracket	43 - 17

Part No.	Description	Page and Index No.
B468 5991	Harness Bracket	39 - 3
B468 6411	Adjusting Pin - Booklet Stapler	25 - 14
B468 6511	Spacer Cushion - 20mm	3 - 17
B468 7812	Caution Decal - Tray Fall	3 - 5
B468 7812	Caution Decal - Tray Fall	51 - 1
B477 2333	Motor Bracket Cushion	19 - 17
B478 2328	Exit Roller:Driven	37 - 13
B478 2328	Exit Roller:Driven	27 - 15
B478 3501	Pulley:Drive:Roller:Sponge	15 - 10
B478 3502	Pulley:Driven:Roller:Sponge	15 - 12
B478 3503	Gathering Roller:Sponge	15 - 13
B478 3504	Timing Belt:B40S2M100	15 - 9
B478 3506	Lever:Drive:Gathering Roller:Front	15 - 8
B478 3507	Lever:Drive:Gathering Roller:Back	15 - 7
B478 3569	Spacer	15 - 25
B478 3569	Spacer	9 - 32
B700 1151	Stay:Coupling	11 - 17
B700 1161	Slide Rail:Stapler Unit:508mm	49 - 5
B700 1162	Bracket:Connector:Stapler Tray	43 - 22
B700 1163	Screw:Connector	47 - 11
B700 1165	Holder:Coupling:Stapler Unit	49 - 8
B700 1165	Holder:Coupling:Stapler Unit	43 - 23
B700 1166	Bracket:Stopper:Stapler Unit	49 - 7
B700 1170	Stay:Punch Unit:Slide:Ass'y	9 - 33
B700 1183	Sheet:Guide:Punch	9 - 24
B700 1185	Ground Plate:Toner Hopper:Punch	11 - 2
B700 1191	Bracket:Coupling:Ass'y	3 - 18
B700 1198	Coupling Bracket - Front	3 - 19
B700 1501	Tension Spring - Pressure	29 - 19
B700 1501	Tension Spring - Pressure	45 - 6
B700 1501	Tension Spring - Pressure	43 - 15
B700 1501	Tension Spring - Pressure	23 - 4
B700 1600	Bracket:Stepper Motor:Transport	45 - 2
B700 1600	Bracket:Stepper Motor:Transport	43 - 2
B700 1601	Tension Spring	43 - 4

Part No.	Description	Page and Index No.
B700 1605	Timing Pulley:26T	7 - 24
B700 1605	Timing Pulley:26T	5 - 18
B700 1610	Timing Belt:40S3M384	43 - 3
B700 1615	Timing Belt:B40S3M303	43 - 12
B700 1620	Bracket:Pulley:Punch:Move:Ass'y	43 - 7
B700 1625	Gear:Pulley:14Z/14T	43 - 9
B700 1630	Gear:14Z	43 - 11
B700 1635	Compression Spring	43 - 10
B700 1640	Bracket:Stepper Motor:Transport	43 - 13
B700 1645	Timing Pulley:20T	7 - 25
B700 1645	Timing Pulley:20T	11 - 20
B700 1650	Gear:30Z	9 - 31
B700 1660	Bracket:Gear:Middle:Ass'y	9 - 26
B700 1665	Gear:25Z	9 - 30
B700 1670	Timing Belt:B40S3M927	43 - 14
B700 1675	Bracket:Shift:Drive:Ass'y	41 - 16
B700 1680	Timing Belt:B40S2M142	41 - 18
B700 1701	Timing Pulley:40T	11 - 21
B700 1702	Timing Belt:B40S3M789	45 - 3
B700 1801	Bracket:Stepper Motor	45 - 19
B700 1802	Timing Belt:B40S2M134	45 - 20
B700 1803	Tension Spring	45 - 17
B700 2119	Compression Spring:Entrance:Driven	5 - 20
B700 2125	Knob:Guide Plate:Entrance	5 - 7
B700 2126	Sheet:Entrance	5 - 9
B700 2130	Transport Roller:Entrance:Upper	5 - 15
B700 2135	Bushing:Transport Roller:Front	5 - 12
B700 2140	Bushing:Transport Roller:Rear	5 - 13
B700 2145	Bracket:Entrance Sensor	5 - 23
B700 2200	Tension Spring:Guide Plate:Move	5 - 1
B700 2215	Guide Plate:Upper:Move	5 - 2
B700 2220	Transport Roller:Shift	9 - 13
B700 2225	Gear:30Z	9 - 28
B700 2241	Sheet:Guide:Staple	9 - 12
B700 2300	Exit Roller:Proof Tray	7 - 14

Part No.	Description	Page and Index No.
B700 2305	Transport Roller:Short	11 - 9
B700 2310	Guide Plate:Proof Tray:Ass'y	7 - 13
B700 2315	Guide Plate:Proof Tray	7 - 18
B700 2316	Torsion Spring	7 - 21
B700 2317	Discharge Brush	7 - 12
B700 2320	Bracket:Sensor:Proof Tray	7 - 6
B700 2325	Transport Roller:Long	7 - 15
B700 2325	Transport Roller:Long	11 - 10
B700 2330	Guide Plate:Exit:Proof Tray	7 - 2
B700 2331	Bracket:Photo Interrupter: Overflow	7 - 5
B700 2411	Guide Plate:Turn:Ass'y	11 - 7
B700 2421	Guide Plate:Turn:Open And Close	11 - 5
B700 2422	Tension Spring:Turn:Open And Close	11 - 6
B700 2431	Polarization Powl:Duplex Stack	11 - 11
B700 2432	Tension Spring	11 - 13
B700 2441	Guide Plate:Duplex Stack:Ass'y	11 - 16
B700 2452	Shaft:Turn:Guide	11 - 14
B700 2453	Guide:Turn	11 - 15
B700 2461	Transport Roller:Duplex Stack:Lower	17 - 9
B700 2471	Guide Plate:Lengthwise	17 - 6
B700 2473	Guide Plate:Lower:Open And Close	19 - 22
B700 2476	Compression Spring:Exit:Driven	17 - 4
B700 2476	Compression Spring:Exit:Driven	19 - 28
B700 2478	Tension Spring	19 - 21
B700 2481	Guide Plate:Lengthwise:Ass'y	17 - 12
B700 2485	Bracket:Sensor:Duplex Tray	17 - 14
B700 2486	Guide Plate:Exit:Stapler Tray	17 - 11
B700 2491	Exit Roller:Stapler Tray	17 - 10
B700 2500	Gate Pawl:Staple	9 - 20
B700 2505	Gate Pawl:Proof Tray	9 - 18
B700 2510	Bracket:Dcsol:Gate Pawl:Proof Tray	41 - 13
B700 2515	Bracket:Dcsol:Gate Pawl:Staple	41 - 1
B700 2520	Cushion:Gate Pawl	19 - 16
B700 2520	Cushion:Gate Pawl	9 - 17
B700 2525	Supporting Plate: Gate Pawl	9 - 14

Part No.	Description	Page and Index No.
B700 2530	Supporting Plate:Gate Pawl:Staple	9 - 19
B700 2535	DC Solenoid:Gate Pawl:Staple:Ass'y	41 - 3
B700 2540	Tension Spring	9 - 21
B700 2545	Tension Spring	9 - 15
B700 2550	DC Solenoid:Gate Pawl:Ass'y	41 - 14
B700 2611	Bracket: Gathering Roller	19 - 7
B700 2612	Shaft: Gathering Roller:Drive	19 - 15
B700 2621	Arm: Gathering Roller: Ass'y	19 - 12
B700 2631	Arm:Plate:Ass'y	19 - 1
B700 2635	Tension Spring	19 - 5
B700 2649	Timing Belt:40S2M144	19 - 11
B700 2651	Bracket: Solenoid: Gathering Roller	45 - 9
B700 2655	DC Solenoid:Gathering Roller:Ass'y	45 - 7
B700 2661	Bracket:Solenoid:Plate:Ass'y	45 - 13
B700 2665	DC Solenoid:Plate:Ass'y	45 - 12
B700 2667	Tension Spring:Solenoid:Plate	45 - 11
B700 2711	Stay:Swivel:Ass'y	19 - 33
B700 2722	Shaft>Contact Point:Swivel	19 - 29
B700 2723	Tension Spring:Release:Swivel	19 - 31
B700 2725	Arm:Solenoid:Swivel	19 - 32
B700 2729	Cushion:Arm	19 - 34
B700 2729	Cushion:Arm	5 - 27
B700 2731	DC Solenoid:Swivel:Ass'y	19 - 36
B700 3100	Stay:Drive:Guide Plate:Ass'y	13 - 24
B700 3105	Bracket:Stepper Motor:Guide Plate	13 - 12
B700 3115	Worm Gear:37t	13 - 16
B700 3120	Worm Wheel:20z	13 - 18
B700 3125	Timing Belt:B40S2M232	13 - 15
B700 3130	Bushing:Joint	13 - 20
B700 3135	Joint:Guide Plate:Open And Close	13 - 22
B700 3140	Compression Spring	13 - 21
B700 3145	Bracket:Feeler:Plate	13 - 11
B700 3150	Bracket:Surface Of Paper Sensor	13 - 25
B700 3155	Guide Plate:Exit:Upper	13 - 5
B700 3156	Discharge Brush	13 - 1

Part No.	Description	Page and Index No.
B700 3157	Shaft:Exit Roller:Driven	13 - 4
B700 3163	Stay:Coupling	49 - 1
B700 3176	Shaft:Exit Roller	15 - 32
B700 3205	Bracket:Stepper Motor:Exit	43 - 19
B700 3210	Bracket:Support:Stud:Return	43 - 21
B700 3215	Timing Belt:B40S3M648	43 - 20
B700 3300	Bracket:Drive:Tray:Ass'y	41 - 11
B700 3305	Timing Belt:B40S2M152	41 - 10
B700 3310	Tightener:Tray:Drive:Ass'y	39 - 12
B700 3315	Timing Pulley:22T	39 - 11
B700 3320	Timing Belt:B60S5M1530	39 - 4
B700 3322	Compression Spring - 10n	41 - 5
B700 3325	Bracket:Sensor:Paper Volume Sensor	39 - 1
B700 3400	Side Plate:Tray:Front:Ass'y	39 - 17
B700 3405	Side Plate:Tray:Inner Back:Ass'y	39 - 16
B700 3410	Base:Tray	39 - 20
B700 3420	Tray:Auxiliary	3 - 4
B700 3500	Stay:Uniform:Ass'y	15 - 27
B700 3504	Timing Belt:B40S2M92	15 - 24
B700 3505	Timing Pulley:20/30T	15 - 26
B700 3515	Shaft: Gathering Roller:Drive:Ass'y	15 - 11
B700 3520	Timing Pulley:18T	15 - 23
B700 3525	Lever: Driven: Gathering Roller: Front	15 - 16
B700 3530	Lever: Driven: Gathering Roller: Rear	15 - 15
B700 3535	Timing Belt:B40S2M116	15 - 14
B700 3540	Bracket:Coupling:Lever:Drive	15 - 6
B700 3545	Tension Spring	15 - 5
B700 3550	Bracket:Feeler:Paper Senser	15 - 18
B700 3555	Feeler:Paper Senser	15 - 17
B700 3560	Bracket:Sensor:Paper Senser	15 - 30
B700 3565	Bracket:Home Position Sensor	15 - 22
B700 3570	Cam:Gathering Roller	15 - 29
B700 3575	Cam:Lever:Drive	15 - 28
B700 3705	Guide Plate:Paper Exit Sub-unit	49 - 16
B700 3710	Bracket:Surface Of Paper Sensor	49 - 18

Part No.	Description	Page and Index No.
B700 3715	Shaft:Arm:Paper Exit Sub-unit	49 - 15
B700 3725	Arm:Plate:Paper Exit Sub-unit	49 - 14
B700 3730	Roller:Plate:Paper Exit Sub-unit	49 - 11
B700 3740	Spring:Arm:16mn.m	49 - 13
B700 4100	Shaft:Slider:Standard Fence	29 - 11
B700 4102	Standard Fence:Front:Staple	29 - 14
B700 4103	Slider:Standard Fence	29 - 12
B700 4104	Guide:Entrance:Stapler:Inner Back	29 - 13
B700 4106	Standard Fence:Rear:Staple	29 - 15
B700 4107	Spring:Return:Standard Fence	29 - 10
B700 4159	Stay:Upper:Slide Rail	27 - 5
B700 4161	Stay:Middle:Stapler Tray	25 - 11
B700 4163	Stay:Guide:Stapler:Move	31 - 1
B700 4165	Stay:Lower:Slide Rail	29 - 20
B700 4167	Stay:Lower: Positioning Sensor	29 - 7
B700 4168	Sheet:Slider	29 - 6
B700 4170	Bracket :Positioning Sensor	25 - 6
B700 4180	Stapler Tray	23 - 17
B700 4181	Shaft:Idler:Exit	23 - 18
B700 4182	Guide:Transport:Stapler Tray	23 - 20
B700 4200	Shaft:Guide:Jogger Fence	23 - 14
B700 4201	Jogger Fence:Front:Ass'y	23 - 21
B700 4204	Jogger Fence:Rear:Ass'y	23 - 22
B700 4207	Bracket:Sensor:Jogger	23 - 26
B700 4209	Pulley:32T	23 - 25
B700 4210	Bracket:Motor:Jogger:Ass'y	23 - 24
B700 4213	Timing Belt:1040S2M4-E	23 - 15
B700 4250	Exit Belt:Ass'y	23 - 16
B700 4255	Bracket:Home Position Sensor:Pawl	25 - 10
B700 4258	Shaft:Exit	23 - 7
B700 4259	Exit Roller:Mm45	23 - 10
B700 4260	Collar:Mm40	23 - 9
B700 4261	Timing Pulley:55T	23 - 11
B700 4265	Bracket:Tightener:Exit:Fix	25 - 4
B700 4267	Bracket:Tightener:Exit:Ass'y	25 - 3

Part No.	Description	Page and Index No.
B700 4271	Timing Pulley:55T	23 - 12
B700 4272	Timing Pulley:30T	27 - 21
B700 4273	Timing Pulley:30T	29 - 21
B700 4275	Timing Belt:B40S2M474	29 - 23
B700 4276	Tension Spring	25 - 5
B700 4300	Shaft:Guide:Stapler	31 - 4
B700 4302	Bracket:Drive:Stapler:Move:Ass'y	31 - 31
B700 4305	Gear Pulley:52Z/20T	31 - 32
B700 4308	Bracket:Tightener:Stapler:Ass'y	29 - 18
B700 4311	Guide:Stapler:Entrance:Upper	31 - 26
B700 4312	Guide:Stapler:Entrance:Lower	31 - 25
B700 4313	Bracket:Fix:Stapler:Ass'y	31 - 23
B700 4316	Bracket:Stapler:Turn:Ass'y	31 - 22
B700 4320	Bracket:Stapler:Slide:Ass'y	31 - 16
B700 4324	Bracket:Sensor:Diagonal,slanted	31 - 12
B700 4326	Worm Gear:Pulley:19t	31 - 20
B700 4327	Timing Belt:B40S2M90	31 - 19
B700 4329	Bracket:Stapler:Move:Ass'y	31 - 8
B700 4333	Roller:Guide:Slide:Stapler	31 - 14
B700 4334	Guide:Slide:Stapler	31 - 11
B700 4335	Timing Belt:B60S3M954	31 - 5
B700 4336	Inner Cover:Stapler	31 - 28
B700 4337	Tension Spring	31 - 6
B700 4351	Bracket:Stapler	25 - 12
B700 4352	Sheet:Guide:Stapler	25 - 16
B700 4353	Stay:Middle:Stapler Tray:Small	25 - 19
B700 4354	Guide:Stapler:Middle	25 - 21
B700 4355	Guide:Stapler:Middle	25 - 20
B700 4356	Cover:Harness:Stapler	25 - 18
B700 4401	Guide Plate:Pressure:Reverse:Stapler Tray	21 - 16
B700 4405	Guide:Leading Edge:Front	21 - 18
B700 4406	Guide:Leading Edge:Rear	21 - 19
B700 4407	Sheet:Plate:Leading Edge	21 - 2
B700 4408	Guide:Leading Edge:Outer	21 - 17
B700 4410	Roller:Dia22	21 - 14

Part No.	Description	Page and Index No.
B700 4411	Shaft:Driven:Turn	21 - 15
B700 4412	Tension Spring:Pressure:Turn	21 - 20
B700 4414	Guide Plate:Reverse:Front	21 - 11
B700 4415	Guide Plate:Reverse:Inner Back	21 - 12
B700 4416	Supporting Plate:Reverse:Ass'y	21 - 9
B700 4419	Slider:Guide:Reverse	21 - 7
B700 4422	Lever:Reverse:Stapler Tray:Ass'y	21 - 8
B700 4425	Shaft:Drive:Cam	27 - 8
B700 4426	Cam:Guide Plate:Front	27 - 6
B700 4427	Cam:Guide Plate:Inner Back	27 - 7
B700 4428	Timing Belt:B40S2M158	27 - 1
B700 4429	Gear:Pulley:17Z/48T	27 - 2
B700 4430	Gear:43Z	27 - 3
B700 4431	Guide:Leading Edge:Upper	21 - 4
B700 4444	Guide Plate:Pressure	21 - 21
B700 4454	Guide Plate:Transport Unit	27 - 18
B700 4455	Shaft:Driven:Transport Unit	27 - 16
B700 4457	Transport Roller:Transport Unit	27 - 12
B700 4521	Holder:Arm:Harness	29 - 25
B700 4522	Arm:Harness:Stapler Unit	29 - 27
B700 4523	Pin :Fix: Arm	29 - 26
B700 4524	Bracket: Stapler Tray: Moveable	29 - 2
B700 4540	Inner Cover: Stapler Unit	21 - 5
B700 4713	Compression Spring	37 - 7
B700 4715	Exit Roller: Paper Crimp Sub-unit	37 - 8
B700 4718	Pulley:27T	35 - 11
B700 4720	Timing Belt:B40S2M214	35 - 12
B700 4720	Timing Belt:B40S2M214	37 - 26
B700 4745	Guide Plate :Exit: Lower	37 - 4
B700 4753	Guide Plate: Exit: Upper	37 - 10
B700 4755	Shaft: Driven	37 - 14
B700 4757	Compression Spring: Transport Roller	37 - 11
B700 4763	Guide Plate :Roller :Lower	37 - 3
B700 4770	Bracket: Home Position Sensor: Blade	35 - 3
B700 4781	Gear:62T	35 - 2

Part No.	Description	Page and Index No.
B700 4782	Pulley:31T	35 - 1
B700 4784	Pulley:22T	33 - 9
B700 4785	Timing Belt:B80S3M156	33 - 7
B700 4787	Timing Belt:B80S3M237	33 - 6
B700 4790	Bracket:Auxiliary:Rear	33 - 8
B700 4797	Bracket:Motor:Mm56	33 - 5
B700 4805	Stay:Release:Transport	37 - 20
B700 4810	Shaft:Driven:Release	37 - 28
B700 4821	Cam:Release:Transport	37 - 24
B700 4823	Gear:56Z	37 - 25
B700 4825	Gear:28Z	37 - 27
B700 4827	Joint:Release:Transport	37 - 23
B700 4829	Spacer:Release:Transport	37 - 22
B700 4835	Bracket:Paper Feed Sensor	37 - 17
B700 4867	Screw:Contact Point:M3	45 - 18
B700 4873	Guide:Open And Close:Front	33 - 16
B700 4874	Guide:Open And Close:Rear	33 - 17
B700 4875	Guide Plate:Open And Close:Lower	33 - 11
B700 4877	Grip:Guide Plate	33 - 14
B700 4879	Bracket:Contact Point	33 - 10
B700 4885	Knob:Paper Crimp	35 - 7
B700 4891	Inner Cover	35 - 8
B700 4895	Cover:Drive	33 - 3
B700 4897	Cover:Upper	33 - 1
B700 5301	Harness:Safety Switch	5 - 24
B700 5302	Harness:Entrance Sensor	47 - 1
B700 5304	Harness:Surface Of Paper Sensor	15 - 31
B700 5305	Harness:Exit:Tray	47 - 3
B700 5310	Harness:Stepper Motor	47 - 4
B700 5311	Harness:Exit:Open And Close:Motor	13 - 13
B700 5340	Harness - Stapler Tray Unit	47 - 6
B700 5341	Harness - Stapler Tray Sensor	29 - 3
B700 5350	Harness:Interface:Sub-ass'y	47 - 10
B700 5361	Harness:Connecting:Sensor:Exit	13 - 26
B700 5365	Harness:Connecting:Sensor	7 - 4

Part No.	Description	Page and Index No.
B700 5366	Harness: Connecting: Sensor	7 - 7
B700 5368	Harness: Connecting: Stapler	31 - 29
B700 5371	Harness: Connecting: Sensor	31 - 2
B700 5373	Harness: Connecting: Sensor	13 - 7
B700 5401	Harness: Staple	47 - 5
B700 5405	Harness: Stapler: Staple Exchange	25 - 17
B700 5407	Harness: Paper Exit Sub-unit	49 - 17
B700 5410	Harness: Sensor	37 - 15
B700 5411	Harness: Sensor: Plate: End Fence	35 - 6
B700 5412	Harness: Connecting: Sensor	37 - 1
B700 5413	Harness: Staple: Motor	29 - 29
B700 5414	Harness: Gate: Open And Close :Motor	27 - 10
B700 5415	Harness: Drive: Swivel :Motor	37 - 16
B700 5415	Harness: Drive: Swivel: Motor	15 - 19
B700 5418	Harness: Connecting: Sensor	25 - 8
B700 5419	Harness: Connecting: Sensor	29 - 8
B700 5430	Harness - Staple	47 - 12
B700 5431	Harness - Staple	29 - 4
B700 5451	Harness: Punch Unit	47 - 2
B700 5801	Stepper Motor: Ass'y	31 - 13
B700 5802	Stepper Motor:Pm:S2m:T12:Ass'y	27 - 9
B700 5803	Stepper Motor:Pm:T17:Ass'y	45 - 16
B700 5804	Stepper Motor:Dia42:Z17:Ass'y	35 - 5
B700 5804	Stepper Motor:Dia42:Z17:Ass'y	23 - 23
B700 5805	Stepper Motor:Pm:S2m:T15:Ass'y	13 - 14
B700 5807	Stepper Motor:Mm42:S2m:T15:Ass'y	15 - 20
B700 5808	Stepper Motor: Exit: Ass'y	29 - 5
B700 5809	Stepper Motor: Stapler :Moveable: Ass'y	31 - 30
B700 5810	Stepper Motor:DC24V 2.5W	37 - 19
B700 5812	Stepper Motor:Mm56:S3m:T14:Ass'y	33 - 4
B700 5813	Stepper Motor:Pm:S2m:T12:Ass'y	41 - 15
B700 5955	Stay :Fix: Main Control Board	47 - 14
B700 5956	Bracket: Printed Circuit Board	47 - 13
B700 5957	Bracket: Main Control Board: Lower	45 - 15
B700 6100	Inner Cover: Upper	9 - 1

Part No.	Description	Page and Index No.
B700 6105	Inner Cover:Lower	17 - 1
B700 6120	Hinge:Door:Lower:Ass'y	3 - 9
B700 6125	Hinge:Door:Upper:Ass'y	3 - 8
B700 7851	Decal:Staple Exchange	51 - 2
B700 7851	Decal:Staple Exchange	3 - 11
B700 7852	Stapler:Service Parts:Ass'y	25 - 13
B700 7861	Decal :Knob: Entrance:R1	51 - 3
B700 7861	Decal: Knob: Entrance:R1	5 - 6
B700 7862	Decal: Knob: Entrance:R2	5 - 10
B700 7862	Decal: Knob: Entrance:R2	51 - 4
B700 7863	Decal: Proof Tray:R3	51 - 5
B700 7863	Decal: Proof Tray:R3	7 - 17
B700 7864	Decal:Shift:R4	51 - 6
B700 7864	Decal:Shift:R4	9 - 8
B700 7865	Decal:Vertical Transport:R5	51 - 7
B700 7865	Decal:Vertical Transport:R5	17 - 7
B700 7866	Decal:Exit:R6	19 - 23
B700 7866	Decal:Exit:R6	51 - 8
B700 7867	Decal:Turn:Open And Close:R7	9 - 2
B700 7867	Decal:Turn:Open And Close:R7	51 - 9
B700 7868	Decal:Knob:Blade:R8	35 - 10
B700 7868	Decal:Knob:Blade:R8	51 - 10
B700 7869	Decal:Knob:Roller:R9	35 - 9
B700 7869	Decal:Knob:Roller:R9	51 - 11
B700 7870	Decal:Stapler Tray:R10	51 - 12
B700 7870	Decal:Stapler Tray:R10	21 - 3
B700 7871	Decal:Transport Unit:R11	27 - 17
B700 7871	Decal:Transport Unit:R11	51 - 13
B700 7872	Decal:Paper Crimp Sub-unit:R12	51 - 14
B700 7872	Decal:Paper Crimp Sub-unit:R12	33 - 13
B700 7891	Decal:Stapler:S1	51 - 15
B700 7891	Decal:Stapler:S1	31 - 27
B700 7892	Decal:Stapler:S2	21 - 1
B700 7892	Decal:Stapler:S2	51 - 16
B702 7225	Bushing:Punch Unit:Slide	21 - 10

Part No.	Description	Page and Index No.
B793 2321	Slide Roller Link	9 - 29
B793 4808	Discharge Brush:Exit	37 - 9
B793 7898	Decal: Paper Exit Sub-unit	51 - 17
B793 7898	Decal: Paper Exit Sub-unit	39 - 14
C203 5135	Bushing - 10x14x5.9	39 - 7
G565 2135	Exit Plate	13 - 2
H072 2220	Spacer - M6x10	15 - 2

Part No.	Description	Page and Index No.
AA06 0557	Positioning Roller Spring	19 - 13
AA06 3529	Pressure Spring - 14.5mm	9 - 5
AA06 3529	Pressure Spring - 14.5mm	27 - 13
AA06 3529	Pressure Spring - 14.5mm	7 - 19
AA08 0237	Bushing - 4x5x7	37 - 12
AA08 2058	Bushing - 6x10x9mm	19 - 6
AA08 2101	Bushing - 6x10x6	31 - 15
AA08 2101	Bushing - 6x10x6	17 - 2
AA08 2101	Bushing - 6x10x6	15 - 3
AA08 2101	Bushing - 6x10x6	11 - 1
AA08 2101	Bushing - 6x10x6	9 - 27
AA08 2101	Bushing - 6x10x6	37 - 5
AA08 2101	Bushing - 6x10x6	7 - 1
AA08 2104	Bushing - 8x12x7	27 - 4
AA08 2104	Bushing - 8x12x7	23 - 5
AA10 0011	Retaining Ring:Silencer:Mm7	23 - 8
AA13 2024	Spacer - M6	31 - 21
AA13 2169	Spacer - 5.7x16x1.5	43 - 8
AA13 2208	Spacer - M6	37 - 6
AA14 3702	Screw:Pin: Positioning	39 - 22
AA14 3702	Screw:Pin: Positioning	49 - 6
AA14 3702	Screw:Pin: Positioning	31 - 7
AA14 3790	Screw:Contact Point	45 - 4
AA14 3790	Screw:Contact Point	25 - 1
AA14 3790	Screw:Contact Point	23 - 3
AA14 3790	Screw:CONTACT POINT	33 - 18
AA14 3790	Screw:Contact Point	11 - 3
AA14 3790	Screw:Contact Point	43 - 5
AA14 3790	Screw:CONTACT POINT	29 - 16
AA14 3790	Screw:Contact Point	7 - 20
AA14 3823	Tapping Screw	15 - 4
AA16 1099	Lever Cushion	19 - 14
AB03 0278	Idler - 20z	29 - 17
AB03 0374	Timing Pulley - 20Z	7 - 23
AB03 0374	Timing Pulley - 20Z	5 - 17

Part No.	Description	Page and Index No.
AF02 2147	Driven Roller	19 - 27
AF02 2147	Driven Roller	7 - 10
AF02 2147	Driven Roller	17 - 5
AF02 2148	Roller:Driven:L=125	5 - 21
AG07 0512	Magnet Catch:Ass'y	3 - 12
AG07 0513	Magnet Catch	11 - 8
AG07 0513	Magnet Catch	5 - 14
AG07 0514	Magnet Catch	27 - 19
AG07 0514	Magnet Catch	7 - 16
AG07 0514	Magnet Catch	17 - 8
AG07 0514	Magnet Catch	9 - 10
AG07 1012	Magnet Catch:Ass'y	43 - 24
AH01 2030	Caster:Dia50:400n	49 - 9
AJ01 1015	Stapler:Eh-530	31 - 24
AW01 0109	Photo Reflection Sensor:Ps117ed1	37 - 2
AW01 0109	Photo Reflection Sensor:Ps117ed1	13 - 6
AW02 0114	Photo Interrupter - Lower Limit	39 - 2
AW02 0141	Photo Interrupter	49 - 19
AW02 0141	Photo Interrupter	41 - 17
AW02 0141	Photo Interrupter	37 - 21
AW02 0141	Photo Interrupter	27 - 11
AW02 0141	Photo Interrupter	35 - 4
AW02 0141	Photo Interrupter	13 - 17
AW02 0141	Photo Interrupter	15 - 21
AW02 0141	Photo Interrupter	31 - 3
AW02 0141	Photo Interrupter	23 - 27
AW02 0166	Photo Interrupter: Paper Feed Sensor	25 - 9
AW02 0172	Photo Interrupter: Overflow:CT	7 - 3
AX06 0282	DC Motor:25.1W	41 - 12
GW01 0007	Photo Reflection Sensor:Exit	37 - 18
GW01 0007	Photo Reflection Sensor:Exit	17 - 13
GW01 0007	Photo Reflection Sensor:Exit	7 - 8
GW01 0007	Photo Reflection Sensor:Exit	5 - 22
GW01 0007	Photo Reflection Sensor:Exit	25 - 7
GW01 0007	Photo Reflection Sensor:Exit	29 - 9

Part No.	Description	Page and Index No.
0353 0040N	Screw - M3X4	11 - 103
0353 0040N	Screw - M3X4	19 - 103
0353 0040N	Screw - M3X4	37 - 103
0353 0040N	Screw - M3X4	45 - 103
0353 0040N	Screw - M3X4	41 - 102
0353 0050N	Screw-m3x5	31 - 104
0353 0060N	Bind Screw - M3x6	41 - 103
0450 3008N	Tapping Screw - M3x8	17 - 103
0450 3008N	Tapping Screw - M3x8	33 - 102
0450 3008N	Tapping Screw - M3x8	9 - 104
0450 3008N	Tapping Screw - M3x8	29 - 103
0450 3008N	Tapping Screw - M3x8	21 - 102
0451 3006N	Tapping Screw - 3x6	15 - 101
0451 3006N	Tapping Screw - 3x6	29 - 101
0451 3006N	Tapping Screw - 3x6	27 - 101
0451 3006N	Tapping Screw - 3x6	31 - 101
0451 3006N	Tapping Screw - 3x6	25 - 101
0451 3006N	Tapping Screw - 3x6	13 - 101
0451 3006N	Tapping Screw - 3x6	33 - 101
0451 3006N	Tapping Screw - 3x6	23 - 101
0451 3006N	Tapping Screw - 3x6	19 - 101
0451 3006N	Tapping Screw - 3x6	17 - 102
0451 3006N	Tapping Screw - 3x6	35 - 101
0451 3006N	Tapping Screw - 3x6	37 - 101
0451 3006N	Tapping Screw - 3x6	11 - 101
0451 3006N	Tapping Screw - 3x6	39 - 101
0451 3006N	Tapping Screw - 3x6	9 - 102
0451 3006N	Tapping Screw - 3x6	41 - 101
0451 3006N	Tapping Screw - 3x6	43 - 101
0451 3006N	Tapping Screw - 3x6	3 - 102
0451 3006N	Tapping Screw - 3x6	7 - 101
0451 3006N	Tapping Screw - 3x6	45 - 101
0451 3006N	Tapping Screw - 3x6	49 - 101
0451 3006N	Tapping Screw - 3x6	47 - 101
0451 3006N	Tapping Screw - 3x6	5 - 101

Part No.	Description	Page and Index No.
0451 3008N	Tapping Screw - M3x8	21 - 101
0451 3008N	Tapping Screw - M3x8	35 - 107
0451 3008N	Tapping Screw - M3x8	49 - 102
0451 3008N	Tapping Screw - M3x8	19 - 102
0451 3008N	Tapping Screw - M3x8	43 - 102
0451 3008N	Tapping Screw - M3x8	45 - 102
0451 3008N	Tapping Screw - M3x8	29 - 102
0451 3008N	Tapping Screw - M3x8	31 - 102
0451 3008N	Tapping Screw - M3x8	39 - 102
0451 3008N	Tapping Screw - M3x8	3 - 101
0451 3008N	Tapping Screw - M3x8	17 - 101
0451 3008N	Tapping Screw - M3x8	9 - 101
0451 3010N	Tapping Screw:3x10	23 - 102
0451 4006N	Tapping Screw - 4x6	15 - 102
0451 4014N	Tapping Screw:M4x14	3 - 104
0453 3006N	Tapping Screw - M3x6	29 - 104
0453 3006N	Tapping Screw - M3x6	35 - 102
0453 3006N	Tapping Screw - M3x6	45 - 104
0453 3006N	Tapping Screw - M3x6	27 - 104
0453 3006N	Tapping Screw - M3x6	25 - 103
0453 3006N	Tapping Screw - M3x6	31 - 103
0453 3006N	Tapping Screw - M3x6	21 - 103
0453 3006N	Tapping Screw - M3x6	23 - 103
0453 3014N	Binding Self Tapping Screw 3x14	37 - 102
0453 4006N	Binding Self Tapping Screw:4x6	33 - 103
0454 3006Q	Tapping Screw - M3x6	25 - 102
0454 3006Q	Tapping Screw - M3x6	5 - 102
0454 3006Q	Tapping Screw - M3x6	7 - 102
0454 3008Q	Tapping Screw:3x8	11 - 102
0454 3008Q	Tapping Screw:3x8	3 - 103
0454 4008Q	Tapping Screw - M4x8	49 - 104
0574 0040E	Hexagon Headless Set Screw - M4x4	41 - 104
0632 0100G	Pin - 2x10mm	15 - 104
0632 0160G	Parallel Pin-m2x16	27 - 105
0632 0160G	Parallel Pin-m2x16	23 - 105

Part No.	Description	Page and Index No.
0633 0140G	Parallel Pin - 3x14	33 - 106
0633 0140G	Parallel Pin - 3x14	35 - 105
0633 0180G	Parallel Pin - 3x18mm	35 - 106
0634 0200G	Parallel Pin - 4x20	39 - 105
0720 0040E	Retaining Ring - M4	49 - 106
0720 0040E	Retaining Ring - M4	29 - 105
0720 0040E	Retaining Ring - M4	17 - 104
0720 0040E	Retaining Ring - M4	11 - 104
0720 0040E	Retaining Ring - M4	31 - 106
0720 0040E	Retaining Ring - M4	13 - 102
0720 0040E	Retaining Ring - M4	35 - 108
0720 0040E	Retaining Ring - M4	27 - 102
0720 0040E	Retaining Ring - M4	5 - 103
0720 0040E	Retaining Ring - M4	15 - 103
0720 0040E	Retaining Ring - M4	19 - 105
0720 0040E	Retaining Ring - M4	9 - 105
0720 0040E	Retaining Ring - M4	37 - 104
0720 0040E	Retaining Ring - M4	43 - 103
0720 0040E	Retaining Ring - M4	25 - 104
0720 0040E	Retaining Ring - M4	7 - 103
0720 0040E	Retaining Ring - M4	39 - 103
0720 0040E	Retaining Ring - M4	23 - 104
0720 0040E	Retaining Ring - M4	21 - 105
0720 0060E	Retaining Ring - M6	39 - 104
0720 0060E	Retaining Ring - M6	41 - 106
0720 0060E	Retaining Ring - M6	31 - 105
0720 0060E	Retaining Ring - M6	33 - 104
0720 0060E	Retaining Ring - M6	27 - 103
0720 0060E	Retaining Ring - M6	23 - 106
0720 0060E	Retaining Ring - M6	29 - 106
0740 3008	Ball Bearing - 8x22x7	31 - 108
0741 3506	Ball Bearing - 6x12x4 Mm	41 - 105
0742 3808	Ball Bearing - 8x16x5	33 - 105
0802 5305	Tapping Screw - M3x6	49 - 105
0805 0088	Retaining Ring - M6	11 - 106

Part No.	Description	Page and Index No.
0805 0088	Retaining Ring - M6	35 - 104
0805 0089	Retaining Ring - M4	9 - 103
0805 0089	Retaining Ring - M4	7 - 104
0805 0089	Retaining Ring - M4	21 - 104
0805 0089	Retaining Ring - M4	37 - 107
0805 0089	Retaining Ring - M4	43 - 104
0805 0089	Retaining Ring - M4	15 - 106
0805 0089	Retaining Ring - M4	19 - 104
0805 0089	Retaining Ring - M4	13 - 103
0805 3537	Ball Bearing: Dia6x dia13x5: Dia14.5	15 - 105
0805 3537	Ball Bearing: Dia6x dia13x5: Dia14.5	27 - 110
0805 3537	Ball Bearing: Dia6x dia13x5: Dia14.5	7 - 105
0805 3537	Ball Bearing: Dia6x dia13x5: Dia14.5	17 - 105
0805 3537	Ball Bearing: Dia6x dia13x5: Dia14.5	11 - 105
0807 5056	Washer - 8.1mm	41 - 107
0950 3005N	Screw: Spring Washer: M3X5	49 - 103
1105 0192	Locking Support	47 - 105
1105 0328	Harness Clamp - ES-0505	15 - 107
1105 0328	Harness Clamp - ES-0505	41 - 108
1105 0328	Harness Clamp - ES-0505	7 - 106
1105 0328	Harness Clamp - ES-0505	39 - 107
1105 0328	Harness Clamp - ES-0505	23 - 108
1105 0328	Harness Clamp - ES-0505	49 - 107
1105 0328	Harness Clamp - ES-0505	13 - 104
1105 0328	Harness Clamp - ES-0505	25 - 108
1105 0328	Harness Clamp - ES-0505	31 - 110
1105 0328	Harness Clamp - ES-0505	33 - 108
1105 0334	Edge - 17	45 - 106
1105 0334	Edge - 17	29 - 109
1105 0367	Spacer	47 - 107
1105 0487	Harness Clamp	33 - 109
1105 0487	Harness Clamp	25 - 107
1105 0487	Harness Clamp	29 - 110
1105 0487	Harness Clamp	31 - 109
1105 0487	Harness Clamp	27 - 107

Part No.	Description	Page and Index No.
1105 0487	Harness Clamp	15 - 110
1105 0487	Harness Clamp	47 - 103
1105 0488	Harness Clamp	45 - 105
1105 0488	Harness Clamp	43 - 105
1105 0488	Harness Clamp	47 - 104
1105 0488	Harness Clamp	29 - 108
1105 0488	Harness Clamp	39 - 106
1105 0488	Harness Clamp	27 - 108
1105 0489	Harness Clamp - LWS 1316	25 - 106
1105 0490	Harness Clamp - IWS-2218	43 - 106
1105 0490	Harness Clamp - IWS-2218	39 - 108
1105 0516	Clamp	47 - 102
1105 0516	Clamp	5 - 104
1105 0516	Clamp	33 - 107
1105 0516	Clamp	31 - 111
1105 0516	Clamp	11 - 107
1105 0516	Clamp	17 - 106
1105 0516	Clamp	13 - 105
1105 0516	Clamp	27 - 109
1105 0522	Edge Saddle - Les0510	37 - 106
1105 0522	Edge Saddle - Les0510	33 - 110
1105 0623	Clamp - LBWS-0206S-V0	17 - 107
1105 0623	Clamp - LBWS-0206S-V0	47 - 106
1105 0623	Clamp - LBWS-0206S-V0	49 - 108
1105 0623	Clamp - LBWS-0206S-V0	31 - 107
1105 0623	Clamp - LBWS-0206S-V0	29 - 107
1105 0623	Clamp - LBWS-0206S-V0	19 - 106
1105 0623	Clamp - LBWS-0206S-V0	15 - 108
1105 0623	Clamp - LBWS-0206S-V0	41 - 109
1105 0623	Clamp - LBWS-0206S-V0	13 - 106
1105 0623	Clamp - LBWS-0206S-V0	35 - 103
1105 0623	Clamp - LBWS-0206S-V0	39 - 109
1105 0623	Clamp - LBWS-0206S-V0	23 - 107
1105 0623	Clamp - LBWS-0206S-V0	27 - 106
1105 0623	Clamp - LBWS-0206S-V0	25 - 105

Part No.	Description	Page and Index No.
1105 0623	Clamp - LBWS-0206S-V0	37 - 105
1204 2520	Switch:DE2L-FJ20	15 - 109
1204 2541	Interlock Switch	5 - 105

Part No.	Description	Page and Index No.
5053 0419	Bushing - 10mm	23 - 6
5201 2722	Bushing - M6x5	9 - 22
5206 2686	Snap Ring	29 - 24
5206 2686	Snap Ring	33 - 12
5215 2621	Snap Ring - M6	21 - 13
5447 2681	Snap Ring	13 - 23
5447 2681	Snap Ring	19 - 4
5447 2681	Snap Ring	21 - 6
5447 2681	Snap Ring	29 - 1

Part No.	Description	Page and Index No.
----------	-------------	--------------------