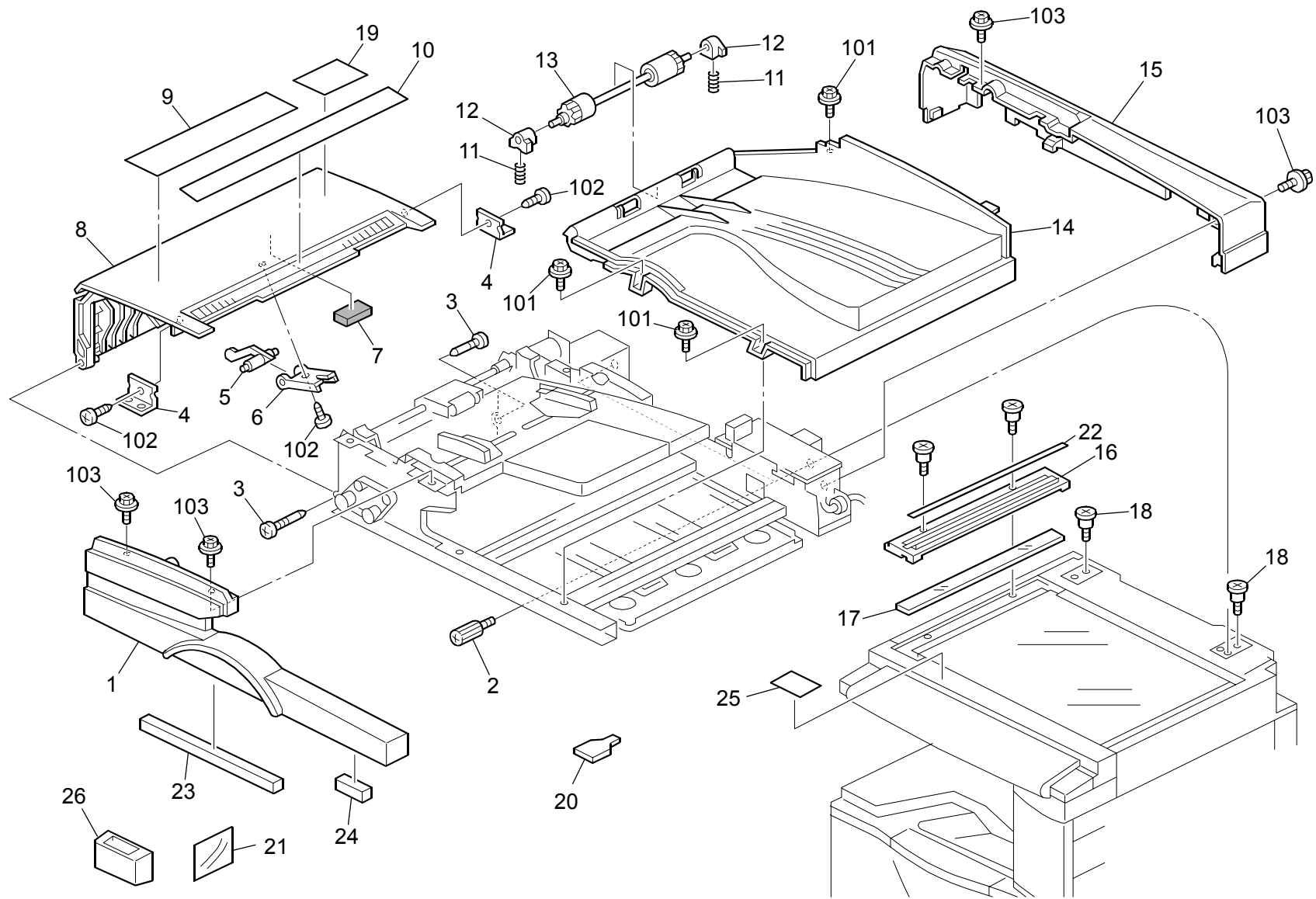


**AUTO REVERSE  
DOCUMENT FEEDER DF83  
B810  
PARTS LOCATION AND LIST**



This section instructs you as to the numbers and names of parts on this machine.

# 1.ARDF 1 (B810)



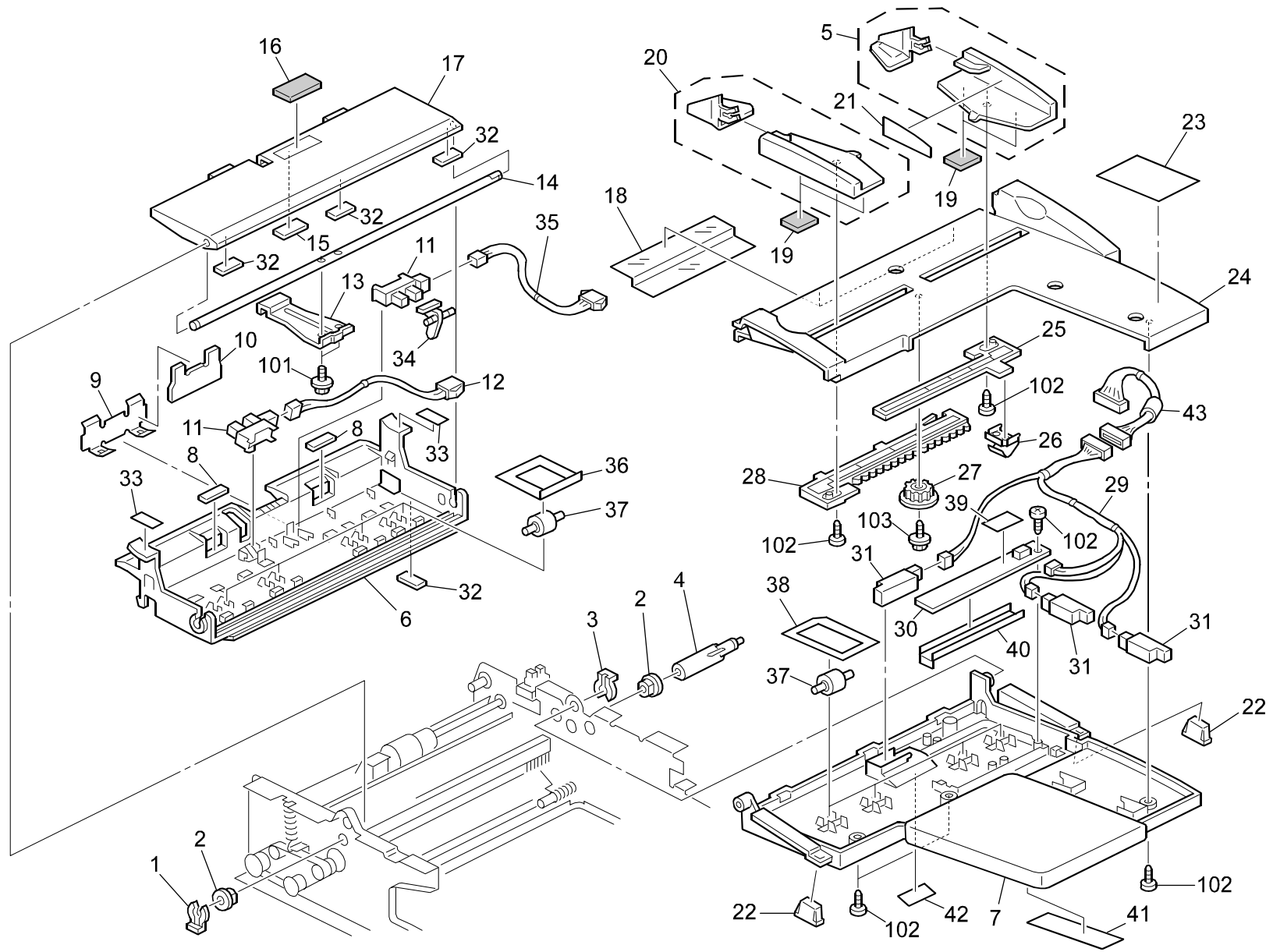
**1.ARDF 1 (B810)**

Rev. 09/15/2010

Index No.	Part No.	Description	Q'ty Per Assembly
1	B386 4811	Front Cover	1
2	B714 3115	Knob Screw: Document Feeder: Fix	1
3	AA14 3788	Pin: Guide Plate: Paper Feed	2
4	B386 4873	Positioning Plate	2
5	A859 4871	Original Sensor Feeler	1
6	A859 4872	Feeler Bracket	1
7	A859 4881	Cushion Paper Feed	1
8	B386 4842	Left Cover	1
9	B386 6014	Decal - Removal Misfeed	1
10	B387 6021	Size Indication Decal	1
11	AA06 3311	Transport Roller Spring	2
12	A859 4836	Bushing - Exit Driven Roller	2
13	A859 4837	Exit Driven Roller	1
14	B386 4871	Upper Cover	1
15	B386 4821	Rear Cover	1
16	B386 7102	Original Scale	1
17	BC01 2001	Exposure Glass: Sheet Through: 332x14	1
18	A859 7211	Stepped Screw	2
19	G564 6077	Decal: Exposure Glass: 5-Lang	1
20	B386 3118	Standard Screw Driver: Document Feeder	1
21	B065 1374	Cloth - DF Exposure Glass	1
22	B387 6053	Original Scale Decal - A4	1
22	B387 6054	Original Scale Decal - LT	1
23	B386 4874	Sponge: Cover: Front	1
24	B386 4872	Sponge: Cover: Front Right	1
25	G564 6087	Decal: Exposure Glass: Machine or Copier	1
26	B065 1371	Holder: Exposure Glass: Ass'y	1

Index No.	Part No.	Description	Q'ty Per Assembly
101	0451 3006N	Tapping Screw - 3x6	
102	0452 3008N	Tapping Screw - M3x8	
103	0451 3008N	Tapping Screw - M3x8	

# 2.ARDF 2 (B810)



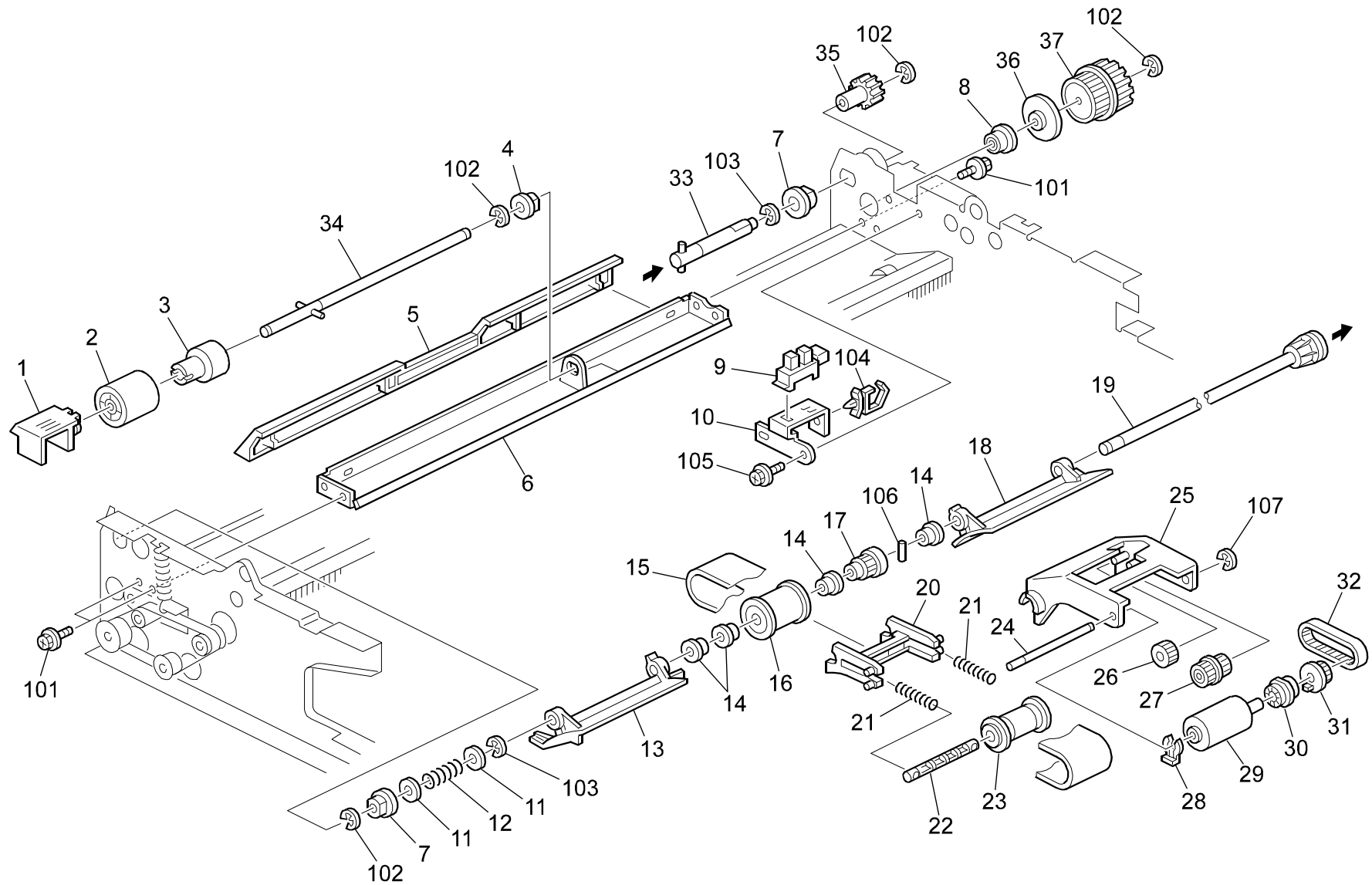
## 2.ARDF 2 (B810)

Rev. 04/14/2008

Index No.	Part No.	Description	Q'ty Per Assembly
1	5447 2681	Snap Ring	1
2	H060 2126	Bushing - M6x7	2
3	5215 2621	Snap Ring - M6	1
4	A859 2355	Pressure Plate Lever	1
5	B386 4720	Rear Side Fence	1
6	A859 2311	Guide Plate - Paper Feed	1
7	B810 4630	Paper Tray: Behind: Alps-F	1
8	A859 2319	Base Cushion	2
9	A859 2317	Guide - Separation Pad	1
10	A859 2315	Separation Pad	1
11	AW02 0141	Photointerruptor	2
12	B617 5705	Sensor Relay Harness	1
13	B386 2353	Pressure Plate - Base	1
14	A859 2354	Base Shaft	1
15	A859 4876	Left Cushion	1
16	A859 2352	Pressure Plate Pad	1
17	B386 2351	Original Feed Plate	1
18	A858 4681	Sheet - Paper Tray	2
19	A351 4951	Guide Pad - Side Fence	2
20	B386 4710	Front Side Fence	1
21	B386 6043	Decal - Side Fence	1
22	B352 2650	Magnet Catch - 5N	2
23	B387 6033	Decal - Original Table	1
24	B386 4621	Upper Original Table	1
25	A859 4662	Rack - Rear Side Fence	1
26	A859 4663	Electrode Plate - Side Fence	1
27	A859 4665	Gear - 16Z	1
28	A859 4661	Rack - Front Side Fence	1
29	B617 5715	Harness - Original Tray	1
30	B386 5550	Paper Size Sensor Board	1
31	AW01 0112	Photo Reflection Sensor: Original Table	3
32	A859 2356	Base Bottom Cushion	4
33	A858 6022	Decal - Blue	2
34	A858 2319	Reverse Sensor Feeler	1
35	B617 5706	Harness - Reverse Sensor	1

Index No.	Part No.	Description	Q'ty Per Assembly
36	A858 2313	Spring Plate - Pressure Roller	4
37	A858 4671	Roller Driven	8
38	A858 4676	Spring Plate - Pressure Roller	4
39	A859 4664	Sheet - Paper Size Sensor Board	1
40	B386 4693	Mylar Seal	1
41	B386 4691	Mylar Seal - 28x107	1
42	B386 4692	Mylar Seal - 16x45	1
43	B386 5713	Harness: Original Tray: Connecting	1
101	0451 3006N	Tapping Screw - 3x6	
102	0452 3008N	Tapping Screw - M3x8	
103	0450 3008N	Tapping Screw - M3x8	

# 3.ARDF 3 (B810)





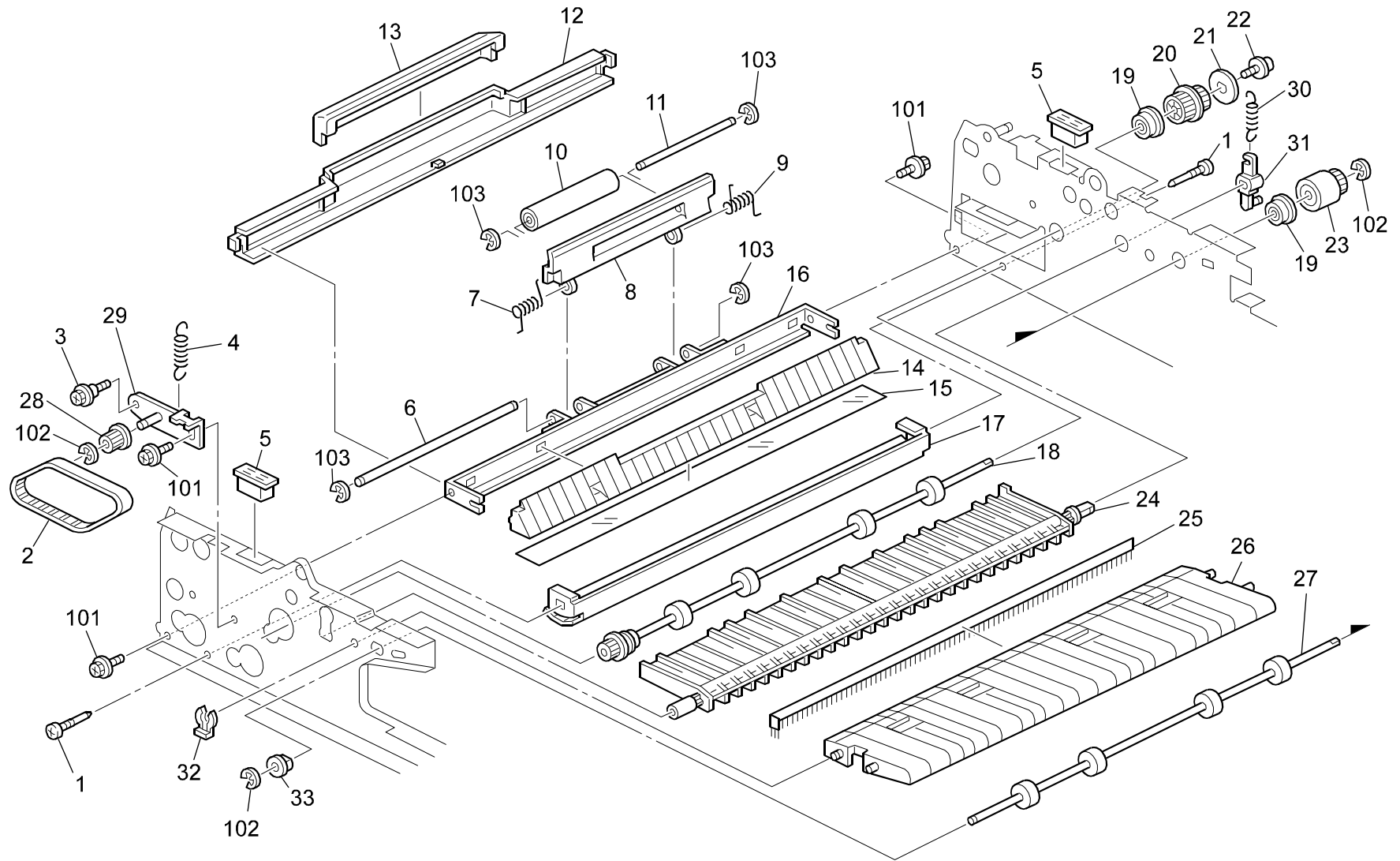
### 3.ARDF 3 (B810)

Rev. 9/13/2012

Index No.	Part No.	Description	Q'ty Per Assembly
1	A859 2220	Reverse Roller Cover	1
<b>2</b>	<b>A859 2241</b>	<b>Reverse Roller</b>	<b>1</b>
3	D541 2251	Torque Limiter Mechanical Clutch: Separator	1
4	5053 0447	Bushing - 6mm	1
5	A859 1621	Separation Guide	1
6	B386 1610	Separation Stay	1
7	5304 1639	Bushing - 8mm	2
8	A859 2230	Ball Bearing - 6x13x5	1
9	AW02 0141	Photointerruptor	1
10	B386 1129	Bracket: Sensor: Right: On Off Detector	1
11	AA13 2013	Spacer	2
12	AA06 3435	Compression Spring: Paper Feed: Joint	1
13	A859 2132	Front Guide - Paper Feed	1
14	A628 1225	Bushing - 8mm	4
<b>15</b>	<b>A859 2141</b>	<b>Belt Paper Feed</b>	<b>1</b>
16	A859 2114	Drive Roller - Paper Feed Belt	1
17	A859 2121	Gear - 22Z	1
18	A859 2131	Rear Guide - Paper Feed	1
19	A859 2120	Drive Shaft - Paper Feed Belt	1
20	A859 2110	Belt Holder	1
21	B386 3320	Spring Belt: Paper Feed: 8N	2
22	A859 2112	Drive Shaft - Paper Feed Belt	1
23	B387 2113	Roller - Paper Feed Belt	1
24	A859 2162	Pick-up Roller Shaft	1
25	G412 3821	Holder - Pick Up	1
26	A859 2167	Gear - 22Z	1
27	G412 3831	Pulley - 22Z	1
28	5206 2686	Snap Ring	1
<b>29</b>	<b>B386 2171</b>	<b>Pickup Roller</b>	<b>1</b>
30	A859 2163	Pick-up Collar	1
31	A859 2164	Pulley - 2Z	1
32	B830 3504	Timing Belt – 40S2M100	1
33	A859 4216	Shaft Electromagnetic Clutch	1
34	A859 2210	Reverse Roller Shaft	1
35	A858 4231	Gear - 20Z	1

Index No.	Part No.	Description	Q'ty Per Assembly
36	A859 4222	Pulley Flange	1
37	A858 4221	Gear - 31Z	1
101	0802 5276	Tapping Screw With Washer - M3x6	
102	0720 0040E	Retaining Ring - M4	
103	0720 0060E	Retaining Ring - M6	
104	1105 0310	Harness Clamp - LWS-1S	
105	0451 3006N	Tapping Screw - 3x6	
106	0632 0100	Parallel Pin - M2x10	
107	0720 0030E	Retaining Ring - M3	

# 4.ARDF 4 (B810)

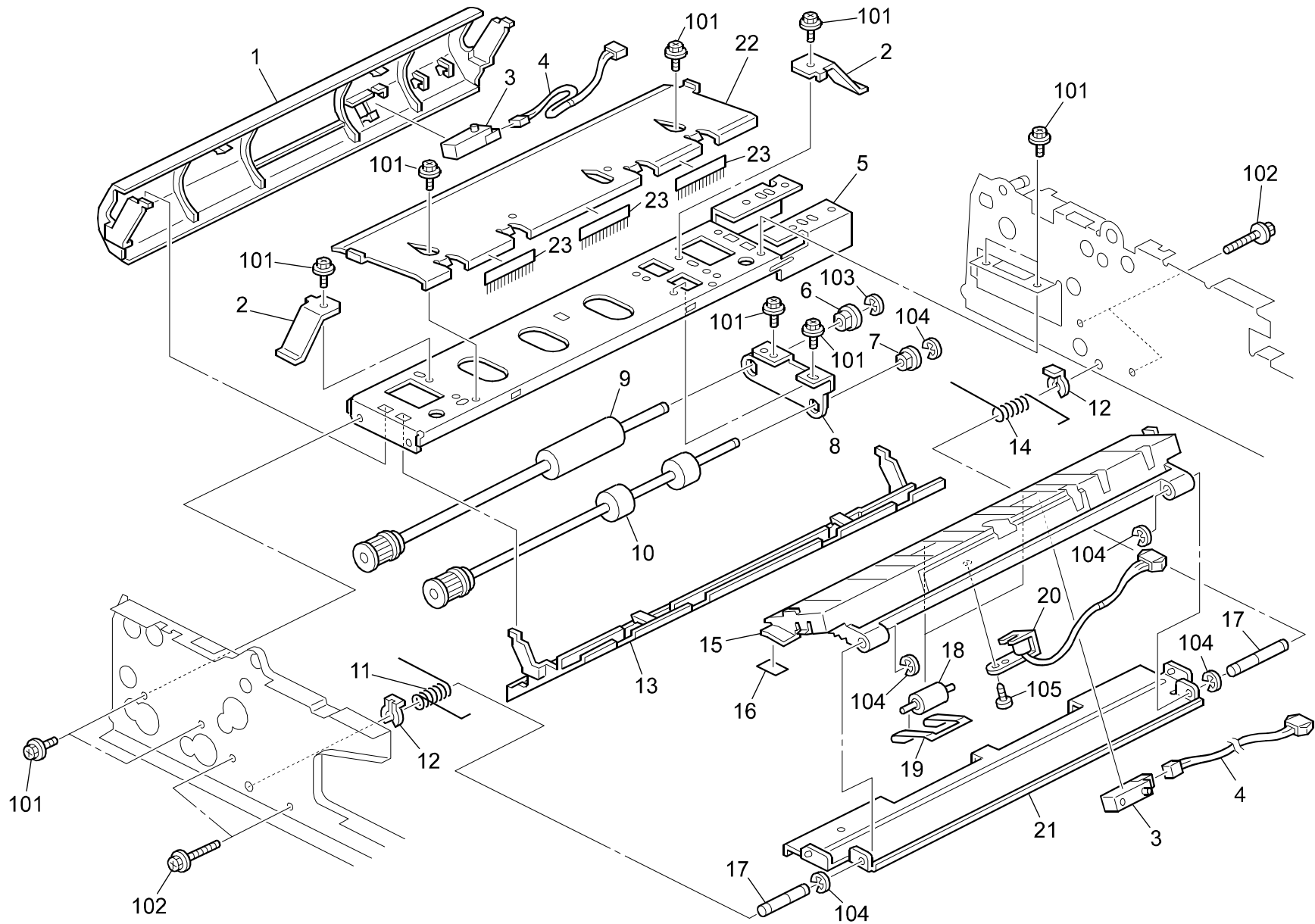


#### 4.ARDF 4 (B810)

Index No.	Part No.	Description	Q'ty Per Assembly
1	AA14 3788	Pin:Guide Plate:Paper Feed	2
2	A859 4331	Timing Belt - 2XL	1
3	AA14 3790	Screw:Contact Point	1
4	A859 4341	Tension Spring	1
5	AG07 0513	Magnet Catch:Original Table:25.5N	2
6	A859 3317	Contact Point Shaft	1
7	B386 3322	Torsion Spring:Pressure:Front:20N	1
8	A859 3316	Pullout Lever	1
9	B386 3321	Torsion Spring:Pressure:Rear:20N	1
10	B386 3387	Roller:Driven:Transport Roller:Middle	1
11	A859 3313	Pressure Driven Shaft	1
12	B386 4881	Left Lower Cover	1
13	B386 4856	Cover - Transport Driven Roller	1
14	A859 1723	Left Lower Guide	1
15	G412 3611	Guide Mylar	1
16	B386 1710	Left Lower Stay	1
17	B386 3513	Guide:Exposure Glass	1
18	B386 3130	Exit Drive Roller	1
19	A859 2230	Ball Bearing - 6x13x5	2
20	A859 4271	Pulley - 31/32Z	1
21	A859 4272	Flange	1
22	B386 2214	Screw:M3x5	1
23	A858 4392	Torque Limiter	1
24	A858 3710	Exchange Reverse Powl	1
25	A859 3225	Discharge Brush	1
26	B386 4861	Reverse Tray	1
27	B386 3140	Reverse Drive Roller	1
28	A859 4321	Pulley-20z	1
29	B386 4311	Adjusting Pin - M6	1
30	A858 3717	Tension Spring - Exchange Powl	1
31	A858 3715	Exchange Powl Lever	1
32	5447 2681	Snap Ring	1
33	5053 0447	Bushing - 6mm	1

Index No.	Part No.	Description	Q'ty Per Assembly
101	0451 3006N	Tapping Screw - 3x6	
102	0720 0040E	Retaining Ring - M4	
103	0720 0030E	Retaining Ring - M3	

# 5.ARDF 5 (B810)

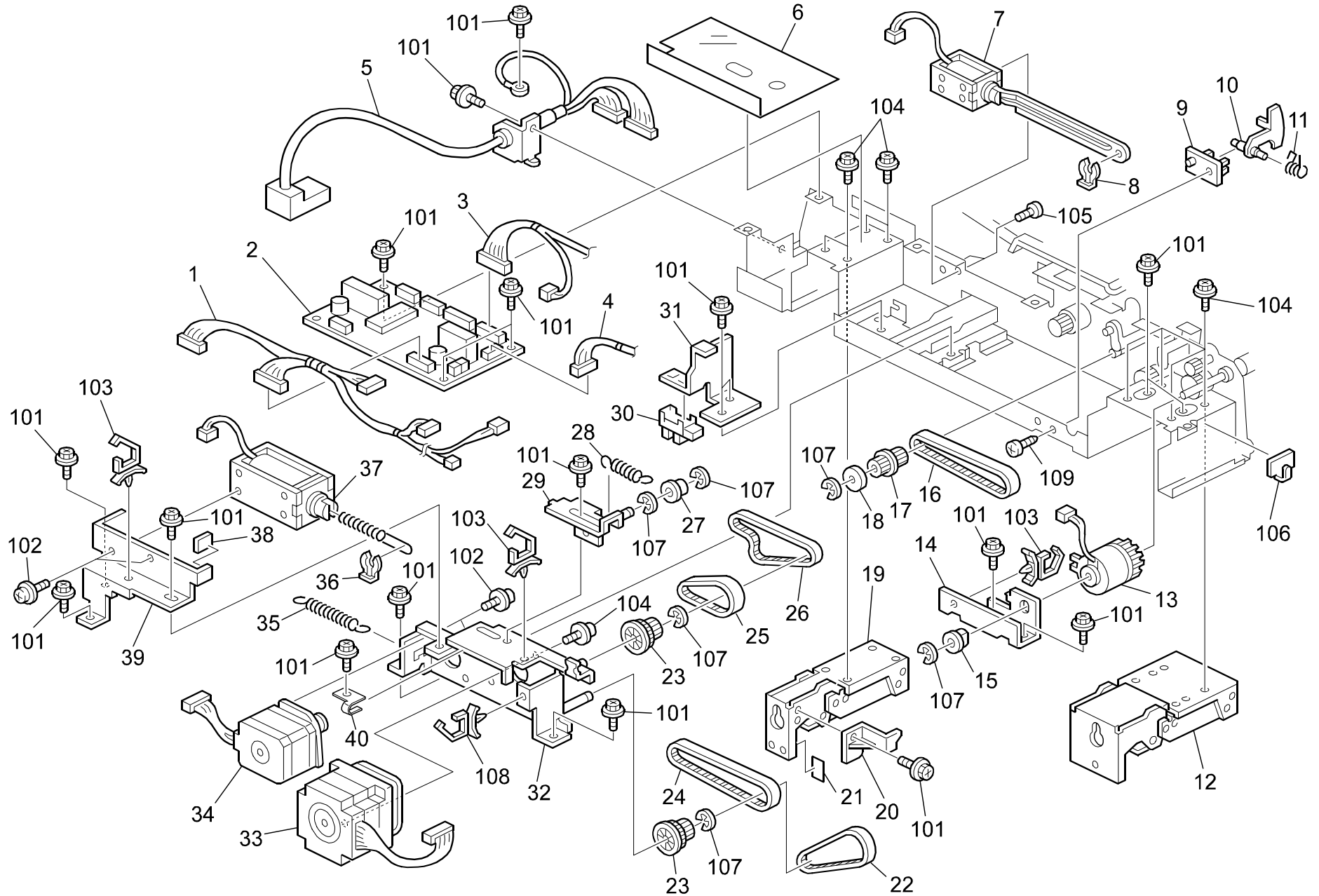


### 5.ARDF 5 (B810)

Index No.	Part No.	Description	Q'ty Per Assembly
1	A859 3210	Guide Plate - Transport Roller	1
2	B386 1322	Spring Plate Guide	2
3	AW01 0109	Photo Reflection Sensor:PS117ED1	2
4	B617 5705	Sensor Relay Harness	2
5	B386 1311	Left Stay	1
6	5304 1639	Bushing - 8mm	1
7	5053 0447	Bushing - 6mm	1
8	B386 1320	Bracket - Transport Roller	1
9	A859 3110	Transport Roller	1
10	B386 3121	Middle Transport Roller	1
11	A859 3431	Front Spring	1
12	AA14 3788	Pin:Guide Plate:Paper Feed	2
13	A859 3220	Guide Plate - Upper Exit	1
14	A859 3430	Rear Spring	1
15	A859 3411	Exit Guide Plate	1
16	A859 6023	Decal Green	1
17	A859 3412	Shaft - Exit Guide Plate	2
18	B386 3389	Roller:Driven:Middle:EP35	2
19	A859 3425	Spring Plate	2
20	B714 5006	DC Solenoid:Transmitted Rubber Stamp	1
21	B386 3413	Cover - Exit Guide Plate	1
22	B386 3234	Guide Plate:Reverse:Ass'y	1
23	B386 3236	Discharge Brush - I50	3

Index No.	Part No.	Description	Q'ty Per Assembly
101	0451 3006N	Tapping Screw - 3X6	
102	0451 4014N	Tapping Screw:M4x14	
103	0720 0060E	Retaining Ring - M6	
104	0720 0040E	Retaining Ring - M4	
105	0452 3008N	Tapping Screw - M3x8	

# 6.ARDF 6 (B810)



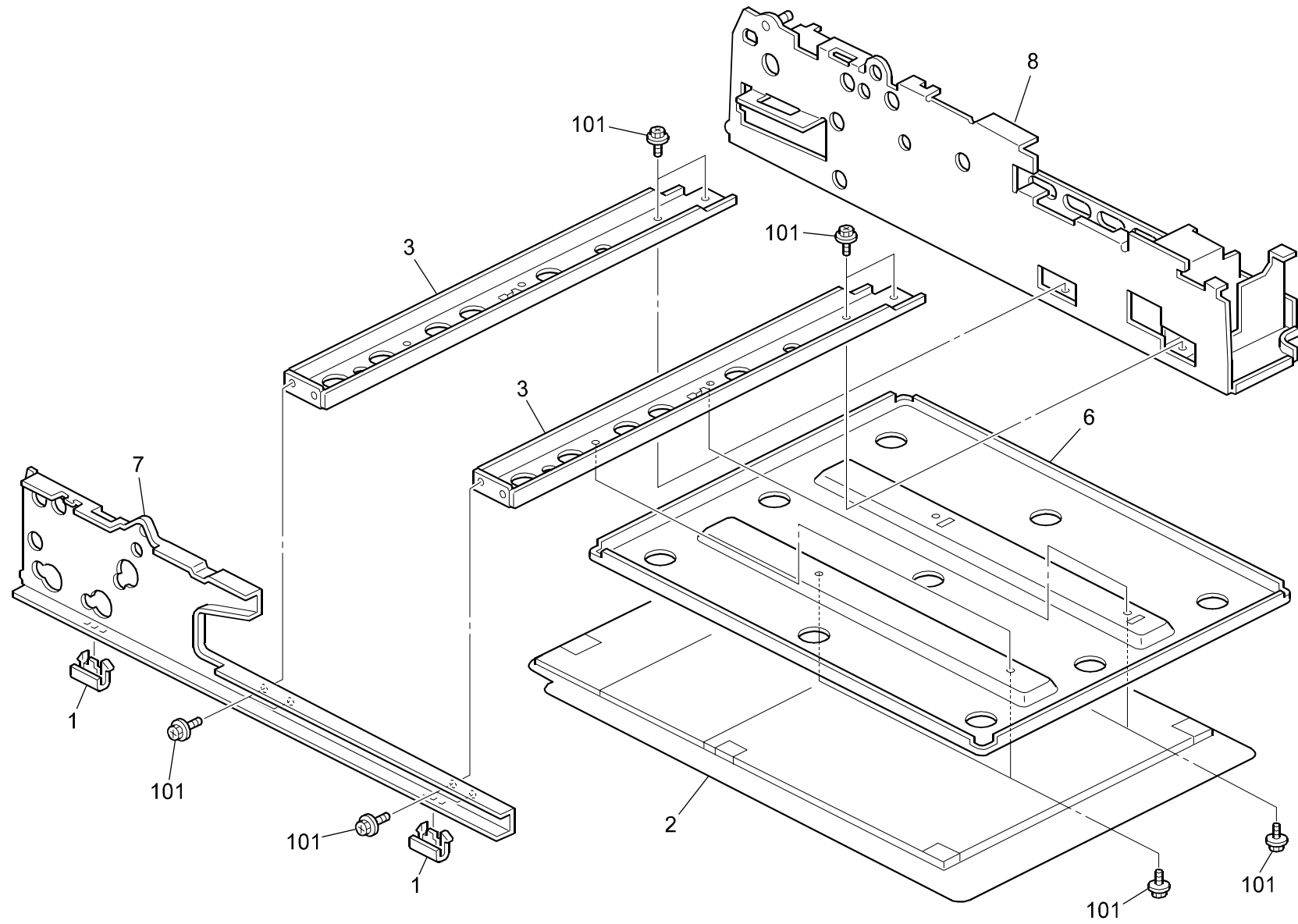
## 6.ARDF 6 (B810)

Rev. 01/19/2007

Index No.	Part No.	Description	Q'ty Per Assembly
1	B386 5704	Harness: Stepper Motor: Ass'y	1
2	B386 5575	Main Control Board:	1
3	B386 5700	Harness: Sensor: Main	1
4	B386 5701	Harness: Sensor: Exit: Connecting	1
5	B386 5810	Harness: Interface	1
6	A859 1131	Insulating Sheet	1
7	A858 4431	DC Solenoid - 24V	1
8	5447 2681	Snap Ring	1
9	B386 1125	APS Feeler Bracket	1
10	B386 1121	APS Feeler	1
11	B387 1951	Spring - Paper Size Sensor	1
12	B386 1812	Hinge: Left: Ass'y	1
13	AX21 0092	Magnetic Clutch: Z30	1
14	B386 1315	Bracket - Electromagnetic Clutch	1
15	5304 1639	Bushing - 8mm	1
16	A858 4261	Timing Belt - 2XL	1
17	B386 4251	Pulley - T20/T19	1
18	B386 4252	Flange - Mm16.5	1
19	B386 1832	Hinge: Right: Ass'y	1
20	A859 1841	Filler - DF Open Sensor	1
21	A334 4678	Rack Shield Mylar	1
22	B386 4161	Timing Belt - B40S2M158	1
23	B386 1884	Pulley - T20/T37	2
24	B386 4181	Timing Belt - B60S2M198	1
25	AA04 3929	Timing Belt - B40S2M114	1
26	B386 4191	Timing Belt - B40S2M254	1
27	A859 4141	Pulley Idler	1
28	A858 4134	Idler Tension Spring	1
29	B386 4131	Idler Adjusting Pin	1
30	AW02 0141	Photointerruptor	1
31	B386 1122	Right Sensor Bracket	1
32	B386 4111	Stepper Motor Bracket	1
33	B386 4122	Stepper Motor: Paper Feed: Ass'y	1
34	B386 4152	Stepper Motor: Transport: Ass'y	1
35	A859 4197	Tension Spring - Motor	1

Index No.	Part No.	Description	Q'ty Per Assembly
36	5206 2686	Snap Ring	1
37	B386 4421	DC Solenoid: Base: Ass'y	1
38	A028 3264	Stopper Cushion	1
39	B386 4411	Solenoid Bracket	1
40	B386 4141	Spring Plate - Stepper Motor	1
101	0451 3006N	Tapping Screw - 3x6	
102	0951 3006N	Screw - M3x6	
103	1105 0310	Harness Clamp - LWS-1S	
104	0951 4006N	Screw:Polished Round:M4x6	
105	0353 0040N	Screw - M3x4	
106	1105 0109	Cord Keep	
107	0720 0040E	Retaining Ring - M4	
108	1105 0460	Clamp	
109	0452 3008N	Tapping Screw - M3x8	

# 7.ARDF 7 (B810)



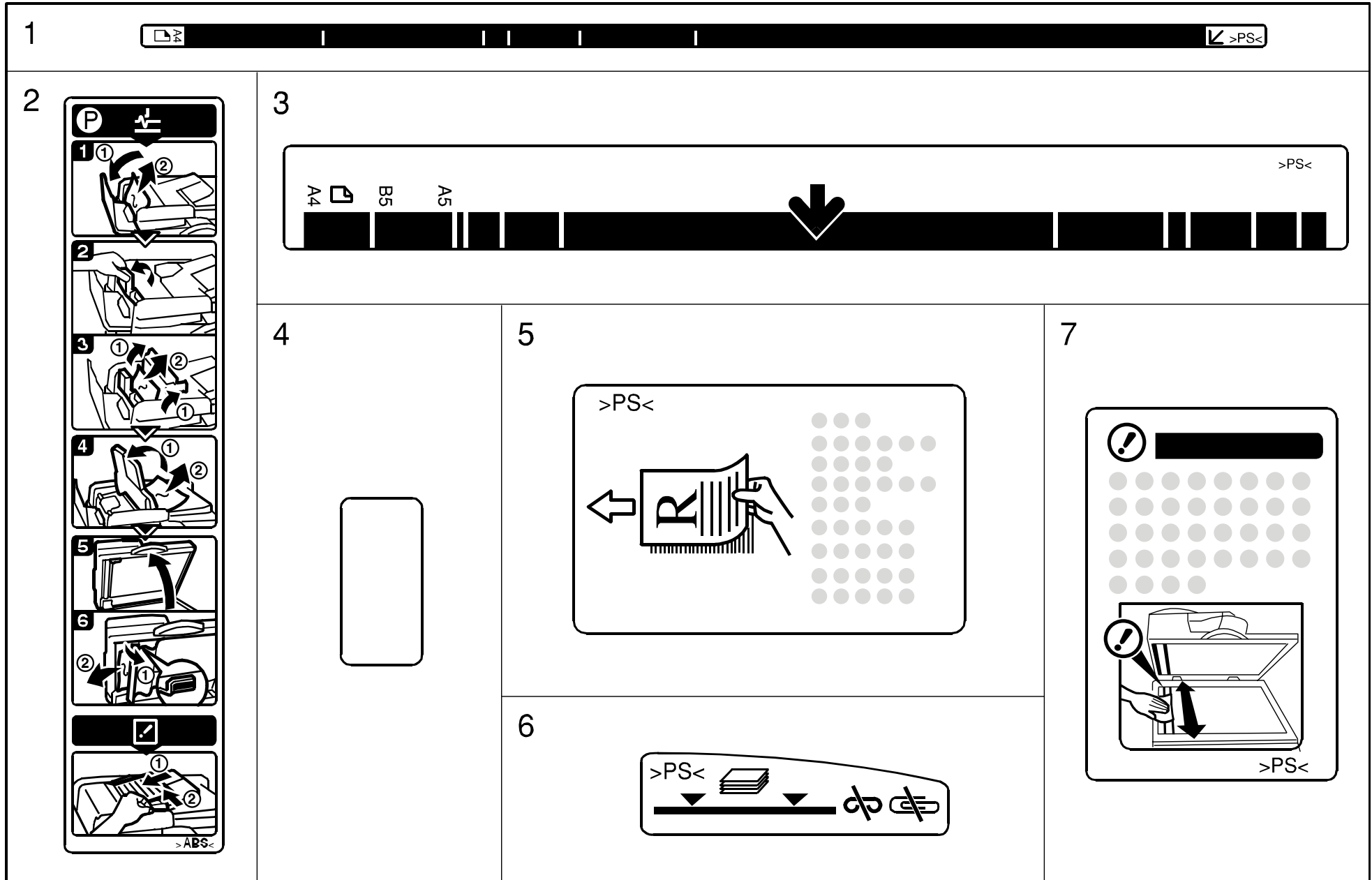


**7.ARDF 7 (B810)**

Index No.	Part No.	Description	Q'ty Per Assembly
1	A859 1221	Spacer	2
2	B386 3634	Sheet:Ass'y	1
3	B386 1511	Middle Stay	2
4	B386 3625	Sponge:Pressure Plate:Left	1
5	B386 1110	Rear Side Plate	1
6	B386 3615	Base - Platen Cover	1
7	B386 1211	Front Side Plate	1

Index No.	Part No.	Description	Q'ty Per Assembly
101	0451 3006N	Tapping Screw - 3x6	

# 8.Decals And Documents (B810)



### 8.Decals And Documents (B810)

Index No.	Part No.	Description	Q'ty Per Assembly
1	B387 6053	Original Scale Decal - A4	1
1	B387 6054	Original Scale Decal - LT	1
2	B386 6014	Decal - Removal Misfeed	1
3	B387 6021	Size Indication Decal	1
4	A858 6022	Decal Blue	1
4	A859 6023	Decal Green	1
5	B387 6033	Decal - Original Table	1
6	B386 6043	Decal - Side Fence	1
7	G564 6076	Exposure Glass Decal	1

Index No.	Part No.	Description	Q'ty Per Assembly



**AUTO REVERSE  
DOCUMENT FEEDER DF83  
B810  
PARTS INDEX**



This section instructs you as to the numbers and names of parts on this machine.

## PM Parts Index

Section Name	Part No.	Description in Service Manual	Description in Parts Catalog	Q'ty Per Assembly	Page and Index No.
ARDF 3 (B810)	A859 2241	Reverse Roller	Reverse Roller	1	7 - 2
ARDF 3 (B810)	A859 2141	Belt Paper Feed	Belt Paper Feed	1	7 - 15
ARDF 3 (B810)	B386 2171	Pickup Roller	Pickup Roller	1	7 - 29



## Parts Index

Part No.	Description	Page and Index No.
B810 4630	Paper Tray:Behind:Alps-F	5 - 7

Part No.	Description	Page and Index No.
A028 3264	Stopper Cushion	13 - 38
A294 6700	Torque Limiter - 53mnm	7 - 3
A334 4678	Rack Shield Mylar	13 - 21
A351 4951	Guide Pad - Side Fence	5 - 19
A628 1225	Bushing - 8mm	7 - 14
A628 3115	Knob Screw - M4	3 - 2
A858 2313	Spring Plate - Pressure Roller	5 - 36
A858 2319	Reverse Sensor Feeler	5 - 34
A858 3710	Exchange Reverse Powl	9 - 24
A858 3715	Exchange Pawl Lever	9 - 31
A858 3717	Tension Spring - Exchange Powl	9 - 30
A858 4134	Idler Tension Spring	13 - 28
A858 4221	Gear - 31Z	7 - 37
A858 4231	Gear - 20Z	7 - 35
A858 4261	Timing Belt - 2XL	13 - 16
A858 4392	Torque Limiter	9 - 23
A858 4431	DC Solenoid - 24V	13 - 7
A858 4671	Roller Driven	5 - 37
A858 4676	Spring Plate - Pressure Roller	5 - 38
A858 4681	Sheet - Paper Tray	5 - 18
A858 6022	Decal Blue	17 - 4
A858 6022	Decal - Blue	5 - 33
A859 1131	Insulating Sheet	13 - 6
A859 1221	Spacer	15 - 1
A859 1621	Separation Guide	7 - 5
A859 1723	Left Lower Guide	9 - 14
A859 1841	Filler - DF Open Sensor	13 - 20
A859 2110	Belt Holder	7 - 20
A859 2112	Drive Shaft - Paper Feed Belt	7 - 22
A859 2114	Drive Roller - Paper Feed Belt	7 - 16
A859 2120	Drive Shaft - Paper Feed Belt	7 - 19
A859 2121	Gear - 22Z	7 - 17
A859 2131	Rear Guide - Paper Feed	7 - 18
A859 2132	Front Guide - Paper Feed	7 - 13
A859 2141	Belt Paper Feed	7 - 15

Part No.	Description	Page and Index No.
A859 2163	Pick-up Collar	7 - 30
A859 2164	Pulley - 2Z	7 - 31
A859 2166	Timing Belt - 2XL	7 - 32
A859 2167	Gear - 22Z	7 - 26
A859 2210	Reverse Roller Shaft	7 - 34
A859 2220	Reverse Roller Cover	7 - 1
A859 2230	Ball Bearing - 6x13x5	7 - 8
A859 2230	Ball Bearing - 6x13x5	9 - 19
A859 2241	Reverse Roller	7 - 2
A859 2311	Guide Plate - Paper Feed	5 - 6
A859 2315	Separation Pad	5 - 10
A859 2317	Guide - Separation Pad	5 - 9
A859 2319	Base Cushion	5 - 8
A859 2352	Pressure Plate Pad	5 - 16
A859 2354	Base Shaft	5 - 14
A859 2355	Pressure Plate Lever	5 - 4
A859 2356	Base Bottom Cushion	5 - 32
A859 3110	Transport Roller	11 - 9
A859 3210	Guide Plate - Transport Roller	11 - 1
A859 3220	Guide Plate - Upper Exit	11 - 13
A859 3225	Discharge Brush	9 - 25
A859 3313	Pressure Driven Shaft	9 - 11
A859 3316	Pullout Lever	9 - 8
A859 3317	Contact Point Shaft	9 - 6
A859 3411	Exit Guide Plate	11 - 15
A859 3412	Shaft - Exit Guide Plate	11 - 17
A859 3425	Spring Plate	11 - 19
A859 3430	Rear Spring	11 - 14
A859 3431	Front Spring	11 - 11
A859 4141	Pulley Idler	13 - 27
A859 4197	Tension Spring - Motor	13 - 35
A859 4216	Shaft Electromagnetic Clutch	7 - 33
A859 4222	Pulley Flange	7 - 36
A859 4271	Pulley - 31/32Z	9 - 20
A859 4272	Flange	9 - 21

Part No.	Description	Page and Index No.
A859 4321	Pulley-20z	9 - 28
A859 4331	Timing Belt - 2XL	9 - 2
A859 4341	Tension Spring	9 - 4
A859 4661	Rack - Front Side Fence	5 - 28
A859 4662	Rack - Rear Side Fence	5 - 25
A859 4663	Electrode Plate - Side Fence	5 - 26
A859 4664	Sheet - Paper Size Sensor Board	5 - 39
A859 4665	Gear - 16Z	5 - 27
A859 4836	Bushing - Exit Driven Roller	3 - 12
A859 4837	Exit Driven Roller	3 - 13
A859 4871	Original Sensor Feeler	3 - 5
A859 4872	Feeler Bracket	3 - 6
A859 4876	Left Cushion	5 - 15
A859 4881	Cushion Paper Feed	3 - 7
A859 6023	Decal Green	11 - 16
A859 6023	Decal Green	17 - 4
A859 7211	Stepped Screw	3 - 18
B065 1371	Holder:Exposure Glass:Ass'y	3 - 26
B065 1374	Cloth - DF Exposure Glass	3 - 21
B386 1110	Rear Side Plate	15 - 5
B386 1121	APS Feeler	13 - 10
B386 1122	Right Sensor Bracket	13 - 31
B386 1125	APS Feeler Bracket	13 - 9
B386 1129	Bracket:Sensor:Right:On Off Detector	7 - 10
B386 1211	Front Side Plate	15 - 7
B386 1311	Left Stay	11 - 5
B386 1315	Bracket - Electromagnetic Clutch	13 - 14
B386 1320	Bracket - Transport Roller	11 - 8
B386 1322	Spring Plate Guide	11 - 2
B386 1511	Middle Stay	15 - 3
B386 1610	Separation Stay	7 - 6
B386 1710	Left Lower Stay	9 - 16
B386 1812	Hinge:Left:Ass'y	13 - 12
B386 1832	Hinge:Right:Ass'y	13 - 19
B386 1884	Pulley - T20/T37	13 - 23

Part No.	Description	Page and Index No.
B386 2171	Pickup Roller	7 - 29
B386 2214	Screw:M3x5	9 - 22
B386 2351	Original Feed Plate	5 - 17
B386 2353	Pressure Plate - Base	5 - 13
B386 3118	Standard Screw Driver:Document Feeder	3 - 20
B386 3121	Middle Transport Roller	11 - 10
B386 3130	Exit Drive Roller	9 - 18
B386 3140	Reverse Drive Roller	9 - 27
B386 3234	Guide Plate:Reverse:Ass'y	11 - 22
B386 3236	Discharge Brush - I50	11 - 23
B386 3321	Torsion Spring:Pressure:Rear:20N	9 - 9
B386 3322	Torsion Spring:Pressure:Front:20N	9 - 7
B386 3387	Roller:Driven:Transport Roller:Middle	9 - 10
B386 3389	Roller:Driven:Middle:EP35	11 - 18
B386 3413	Cover - Exit Guide Plate	11 - 21
B386 3513	Guide:Exposure Glass	9 - 17
B386 3615	Base - Platen Cover	15 - 6
B386 3625	Sponge:Pressure Plate:Left	15 - 4
B386 3634	Sheet:Ass'y	15 - 2
B386 4111	Stepper Motor Bracket	13 - 32
B386 4122	Stepper Motor:Paper Feed:Ass'y	13 - 33
B386 4131	Idler Adjusting Pin	13 - 29
B386 4141	Spring Plate - Stepper Motor	13 - 40
B386 4152	Stepper Motor:Transport:Ass'y	13 - 34
B386 4161	Timing Belt - B40S2M158	13 - 22
B386 4181	Timing Belt - B60S2M198	13 - 24
B386 4191	Timing Belt - B40S2M254	13 - 26
B386 4251	Pulley - T20/T19	13 - 17
B386 4252	Flange - Mm16.5	13 - 18
B386 4311	Adjusting Pin - M6	9 - 29
B386 4411	Solenoid Bracket	13 - 39
B386 4421	DC Solenoid:Base:Ass'y	13 - 37
B386 4621	Upper Original Table	5 - 24
B386 4691	Mylar Seal - 28x107	5 - 41
B386 4692	Mylar Seal - 16x45	5 - 42

Part No.	Description	Page and Index No.
B386 4693	Mylar Seal	5 - 40
B386 4710	Front Side Fence	5 - 20
B386 4720	Rear Side Fence	5 - 5
B386 4811	Front Cover	3 - 1
B386 4821	Rear Cover	3 - 15
B386 4842	Left Cover	3 - 8
B386 4856	Cover - Transport Driven Roller	9 - 13
B386 4861	Reverse Tray	9 - 26
B386 4871	Upper Cover	3 - 14
B386 4872	Sponge:Cover:Front Right	3 - 24
B386 4873	Positioning Plate	3 - 4
B386 4874	Sponge:Cover:Front	3 - 23
B386 4881	Left Lower Cover	9 - 12
B386 5550	Paper Size Sensor Board	5 - 30
B386 5570	PCB:Main Control	13 - 2
B386 5700	Harness:Sensor:Main	13 - 3
B386 5701	Harness:Sensor:Exit:Connecting	13 - 4
B386 5704	Harness:Stepper Motor:Ass'y	13 - 1
B386 5713	Harness:Original Tray:Connecting	5 - 43
B386 5810	Harness:Interface	13 - 5
B386 6014	Decal - Removal Misfeed	3 - 9
B386 6014	Decal - Removal Misfeed	17 - 2
B386 6043	Decal - Side Fence	17 - 6
B386 6043	Decal - Side Fence	5 - 21
B386 7102	Original Scale	3 - 16
B387 1951	Spring - Paper Size Sensor	13 - 11
B387 2113	Roller - Paper Feed Belt	7 - 23
B387 6021	Size Indication Decal	17 - 3
B387 6021	Size Indication Decal	3 - 10
B387 6033	Decal - Original Table	17 - 5
B387 6033	Decal - Original Table	5 - 23
B387 6053	Original Scale Decal - A4	3 - 22
B387 6053	Original Scale Decal - A4	17 - 1
B387 6054	Original Scale Decal - LT	17 - 1
B387 6054	Original Scale Decal - LT	3 - 22

Part No.	Description	Page and Index No.
B617 5705	Sensor Relay Harness	11 - 4
B617 5705	Sensor Relay Harness	5 - 12
B617 5706	Harness - Reverse Sensor	5 - 35
B617 5715	Harness - Original Tray	5 - 29
B714 5006	DC Solenoid:Transmitted Rubber Stamp	11 - 20
G012 1531	Magnet	5 - 22
G412 3611	Guide Mylar	9 - 15
G412 3821	Pick-up Roller Shaft	7 - 24
G412 3821	Holder - Pick Up	7 - 25
G412 3831	Pulley - 22Z	7 - 27
G564 6076	Exposure Glass Decal	17 - 7
G564 6077	Decal:Exposure Glass:5-Lang	3 - 19
G564 6087	Decal:Exposure Glass:Machine Or Cop	3 - 25
H060 2126	Bushing - M6x7	5 - 2

Part No.	Description	Page and Index No.
AA04 3929	Timing Belt - B40S2M114	13 - 25
AA06 3311	Transport Roller Spring	3 - 11
AA06 3320	Compression Spring:Oil Supply Roller	7 - 21
AA06 3435	Compression Spring:Paper Feed:Joint	7 - 12
AA13 2013	Spacer	7 - 11
AA14 3788	Pin:Guide Plate:Paper Feed	11 - 12
AA14 3788	Pin:Guide Plate:Paper Feed	9 - 1
AA14 3788	Pin:Guide Plate:Paper Feed	3 - 3
AA14 3790	Screw:Contact Point	9 - 3
AG07 0513	Magnet Catch:Original Table:25.5N	9 - 5
AW01 0109	Photo Reflection Sensor:PS117ED1	11 - 3
AW01 0112	Photo Reflection Sensor:Original Table	5 - 31
AW02 0141	Photointerruptor	7 - 9
AW02 0141	Photointerruptor	5 - 11
AW02 0141	Photointerruptor	13 - 30
AX21 0092	Magnetic Clutch:Z30	13 - 13
BC01 2001	Exposure Glass:Sheet Through:332x14	3 - 17

Part No.	Description	Page and Index No.
0353 0040N	Screw - M3x4	13 - 105
0450 3008N	Tapping Screw - M3x8	5 - 103
0451 3006N	Tapping Screw - 3x6	7 - 105
0451 3006N	Tapping Screw - 3x6	13 - 101
0451 3006N	Tapping Screw - 3X6	11 - 101
0451 3006N	Tapping Screw - 3x6	3 - 101
0451 3006N	Tapping Screw - 3x6	9 - 101
0451 3006N	Tapping Screw - 3x6	15 - 101
0451 3006N	Tapping Screw - 3x6	5 - 101
0451 3008N	Tapping Screw - M3x8	3 - 103
0451 4014N	Tapping Screw:M4x14	11 - 102
0452 3008N	Tapping Screw - M3x8	13 - 109
0452 3008N	Tapping Screw - M3x8	3 - 102
0452 3008N	Tapping Screw - M3x8	5 - 102
0452 3008N	Tapping Screw - M3x8	11 - 105
0632 0100	Parallel Pin - M2x10	7 - 106
0720 0030E	Retaining Ring - M3	9 - 103
0720 0030E	Retaining Ring - M3	7 - 107
0720 0040E	Retaining Ring - M4	13 - 107
0720 0040E	Retaining Ring - M4	11 - 104
0720 0040E	Retaining Ring - M4	9 - 102
0720 0040E	Retaining Ring - M4	7 - 102
0720 0060E	Retaining Ring - M6	11 - 103
0720 0060E	Retaining Ring - M6	7 - 103
0802 5276	Tapping Screw With Washer - M3x6	7 - 101
0951 3006N	Screw - M3x6	13 - 102
0951 4006N	Screw:Polished Round:M4x6	13 - 104
1105 0109	Cord Keep	13 - 106
1105 0310	Harness Clamp - LWS-1S	13 - 103
1105 0310	Harness Clamp - LWS-1S	7 - 104
1105 0460	Clamp	13 - 108

Part No.	Description	Page and Index No.
5053 0447	Bushing - 6mm	7 - 4
5053 0447	Bushing - 6mm	9 - 33
5053 0447	Bushing - 6mm	11 - 7
5206 2686	Snap Ring	7 - 28
5206 2686	Snap Ring	13 - 36
5215 2621	Snap Ring - M6	5 - 3
5304 1639	Bushing - 8mm	13 - 15
5304 1639	Bushing - 8mm	7 - 7
5304 1639	Bushing - 8mm	11 - 6
5447 2681	Snap Ring	5 - 1
5447 2681	Snap Ring	9 - 32
5447 2681	Snap Ring	13 - 8